







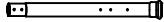

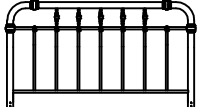
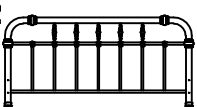








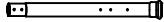

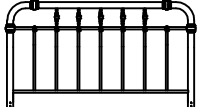
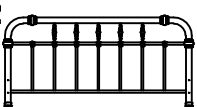








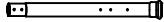

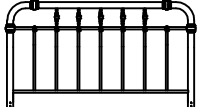
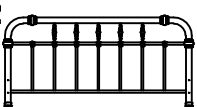


FASHION BED GROUP®

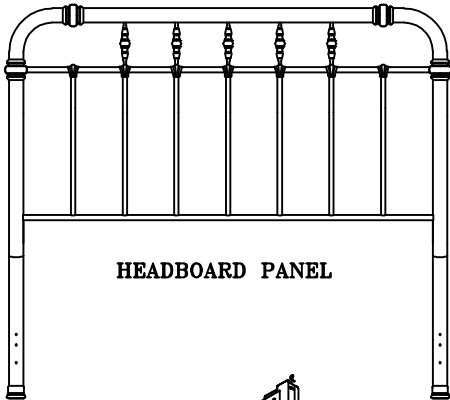
A *Loewitt & Platt* COMPANY

6755 W. 65th Street Bedford Park, IL 60638

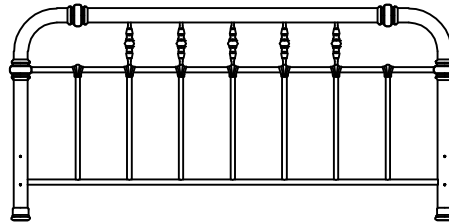
Parts List For Vienna Bed

BED CARTON	HEADBOARD CARTON																	
<p>(11) HEADBOARD PANEL (12) FOOTBOARD PANEL PART #371401 HARDWARE BAG FOR FRAME ATTACHMENT</p> <p>(1) 1/4-20 X 2 3/4" COUNTERSUNK ALLEN HEAD SCREW - 4 (2) 1/4-20 X 1" FLAT ALLEN HEAD SCREW - 4 (3) 1/4-20 X 3/4" FLAT ALLEN HEAD SCREW - 4 (4) 1/4" (ID) FLAT METAL WASHER - 12 (5) 1/4" (ID) LOCK METAL WASHER - 8 (6) 1/4 - 20 HEX NUTS - 4 (7) ALLEN WRENCH - 1 (8) OPEN END WRENCH - 1</p> <p>(9) LEG. EXTENSIONS - 2 # 393002 (10) PLASTIC GLIDES - 4 # 150970000</p> <p>NOTE: GLIDES COME PRE-INSERTED</p>	<p>(11) HEADBOARD PANEL</p> <p>PART #371402 HARDWARE BAG FOR FRAME ATTACHMENT</p> <p>(1) 1/4-20 X 2 3/4" COUNTERSUNK ALLEN HEAD SCREW - 4 (3) 1/4-20 X 3/4" FLAT ALLEN HEAD SCREW - 4 (4) 1/4" (ID) FLAT METAL WASHER - 8 (5) 1/4" (ID) LOCK METAL WASHER - 4 (6) 1/4 - 20 HEX NUTS - 4 (7) ALLEN WRENCH - 1 (8) OPEN END WRENCH - 1</p> <p>(9) LEG. EXTENSIONS - 2 # 393002 (10) PLASTIC GLIDES - 2 # 150970000</p> <p>NOTE: GLIDES COME PRE-INSERTED</p>	<table border="1"> <tr> <td data-bbox="1049 531 1170 655">1 </td> <td data-bbox="1170 531 1281 655">2 </td> <td data-bbox="1281 531 1391 655">3 </td> <td data-bbox="1391 531 1502 655">4 </td> </tr> <tr> <td data-bbox="1049 655 1170 779">5 </td> <td data-bbox="1170 655 1281 779">6 </td> <td data-bbox="1281 655 1391 779">7 </td> <td data-bbox="1391 655 1502 779">8 </td> </tr> <tr> <td colspan="2" data-bbox="1049 779 1281 903">9 </td> <td colspan="2" data-bbox="1281 779 1502 903">10 </td> </tr> <tr> <td colspan="2" data-bbox="1049 903 1281 1029">11 </td> <td colspan="2" data-bbox="1281 903 1502 1029">12 </td> </tr> </table>	1 	2 	3 	4 	5 	6 	7 	8 	9 		10 		11 		12 	
1 	2 	3 	4 															
5 	6 	7 	8 															
9 		10 																
11 		12 																

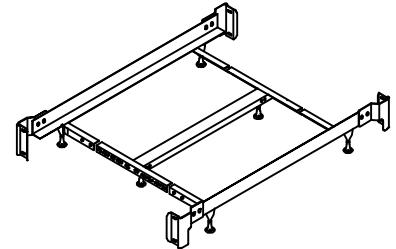
PRODUCT FULLY ASSEMBLED



HEADBOARD PANEL

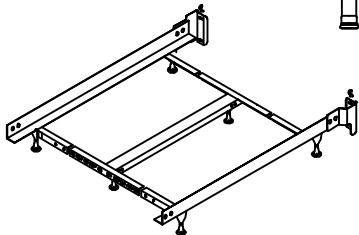


FOOTBOARD PANEL



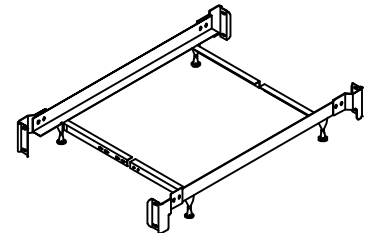
QUEEN - KING BED FRAME FULLY ASSEMBLED

NOTE: SEE INSTRUCTIONS INCLUDED IN FRAME CARTON FOR FRAME ASSEMBLY



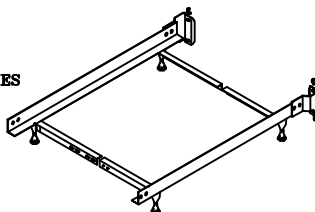
QUEEN - KING HEADBOARD ONLY FRAME FULLY ASSEMBLED FRAMES

NOTE: SEE INSTRUCTIONS INCLUDED IN FRAME CARTON FOR FRAME ASSEMBLY



TWIN - FULL BED FRAME FULLY ASSEMBLED

NOTE: SEE INSTRUCTIONS INCLUDED IN FRAME CARTON FOR FRAME ASSEMBLY



TWIN - FULL HEADBOARD ONLY FRAME FULLY ASSEMBLED

NOTE: SEE INSTRUCTIONS INCLUDED IN FRAME CARTON FOR FRAME ASSEMBLY

FOR ASSISTANCE IN ASSEMBLY ONLY OF THIS PRODUCT. CALL OUR HELP DESK AT 1-800-324-3415, BETWEEN 8:30 AM & 4:30 PM CENTRAL TIME MONDAY THROUGH FRIDAY. PLEASE HAVE THE STYLE NUMBER AVAILABLE BEFORE YOU CALL. (STYLE # OR NAME CAN BE FOUND ON PACKING CARTON OR SALES RECEIPT.) OUR PRODUCT IS INSPECTED TO ENSURE IT IS IN GOOD CONDITION. IF YOUR FURNITURE APPEARS TO HAVE BEEN DAMAGED IN SHIPMENT OR YOU ARE IN NEED OF REPLACEMENT PARTS PLEASE CONTACT THE DEALER FROM WHOM YOU PURCHASED THE PRODUCT.

Instruction Sheet

SAVE ALL PACKAGING MATERIALS UNTIL PRODUCT IS FULLY ASSEMBLED. HARDWARE AND SMALL PIECES MAY NOT BE SEEN AND COULD BE ACCIDENTALLY DISCARDED WITH PACKAGING MATERIALS.

FIGURE 1

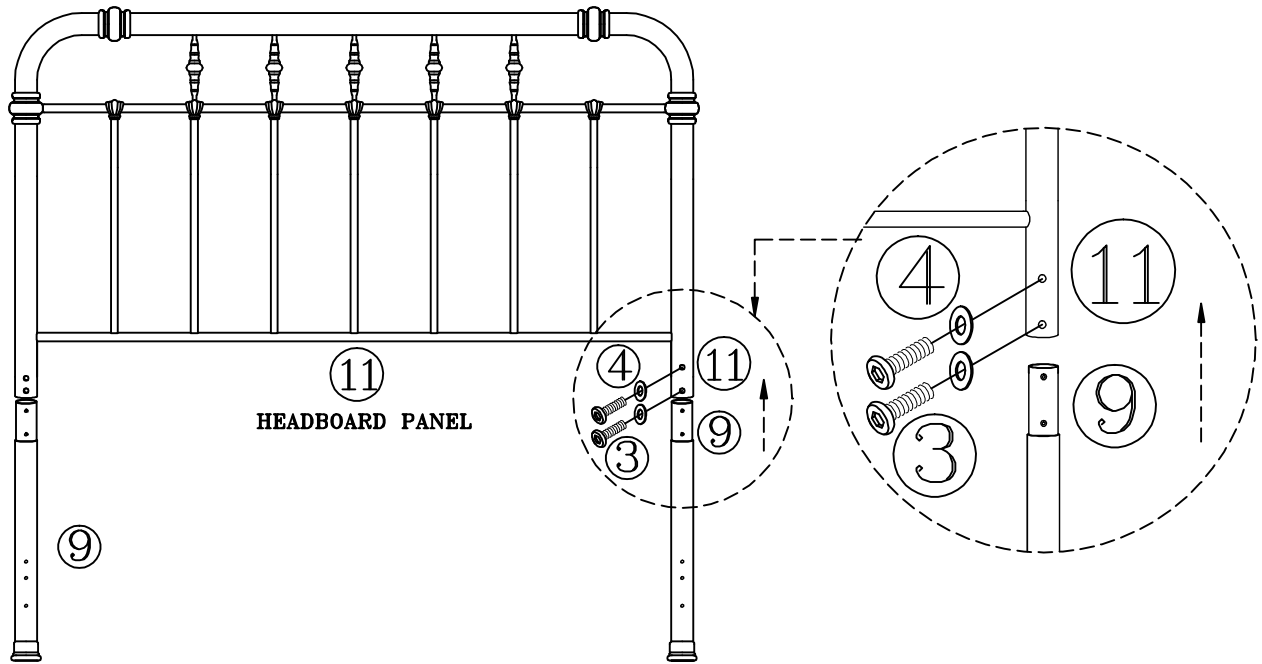
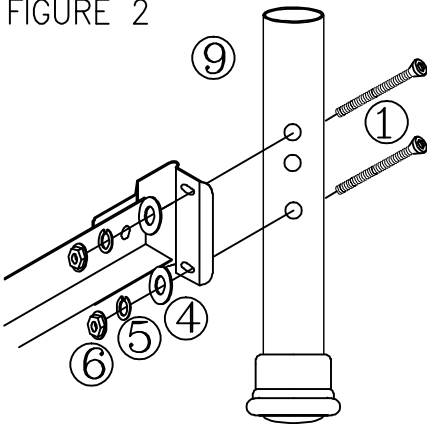


FIGURE 2



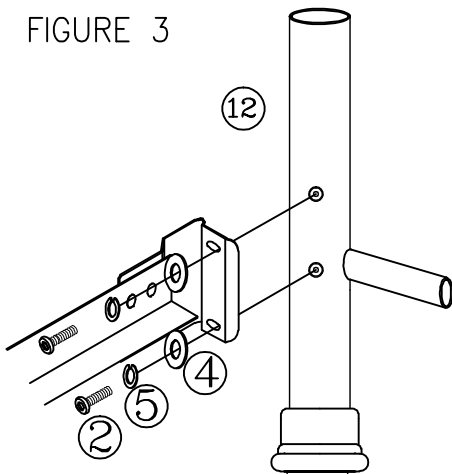
Step 1- Assembly Leg Extension

- Align top reduction of leg extension (9) with bottom of headboard panel (11) posts . (SEE FIGURE 1)
- Now carefully insert leg extension (9) into bottom of headboard panel (11) post.
- Secure leg extension with screw (3) and flat metal washer (4) using allen wrench (7).

Step 2- Assembly Headboard

- Place headboard and frame in desired location in room.
- Place 2 screws (1) through holes located in leg (9) (SEE FIGURE 2)
- Align bed frame bracket over screws.
- Place a flat metal washer (4), lock washer (5) and hex nut (6) over on each screw. Hand tighten. DO NOT TIGHTEN screws all the way. (SEE FIGURE 2)
- Repeat on other side of headboard.
- Tighten all screws securely using the Allen wrench (7) and open wrench (8).

FIGURE 3



Step 3- Assembly Footboard

- Position footboard panel (12) and align holes in the post with holes in the frame bracket. (SEE FIGURE 3)
- Place a lock washer (5) and flat metal washer (4) over on each screw (2). Insert through bracket and into post. Hand tighten. DO NOT TIGHTEN screws all the way.
- Repeat on other side of footboard panel.
- Tighten all screws securely using the Allen wrench (7).