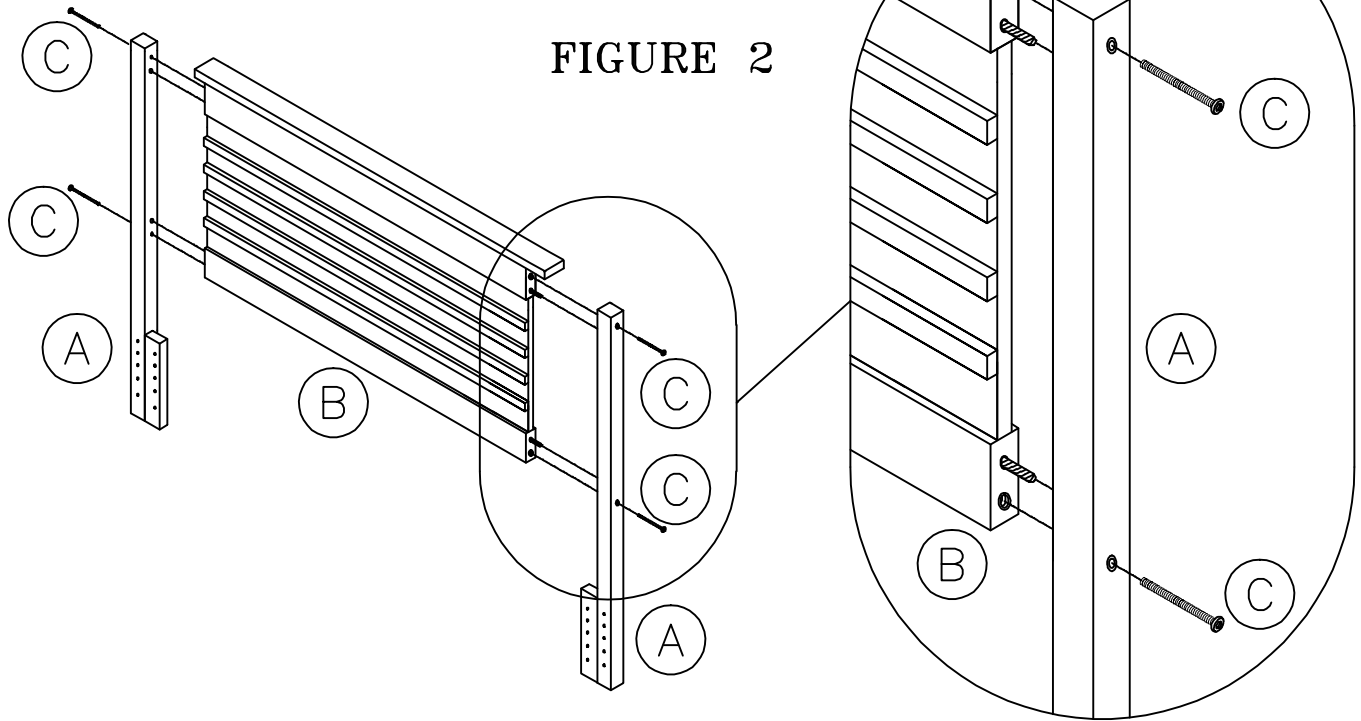


Step 2

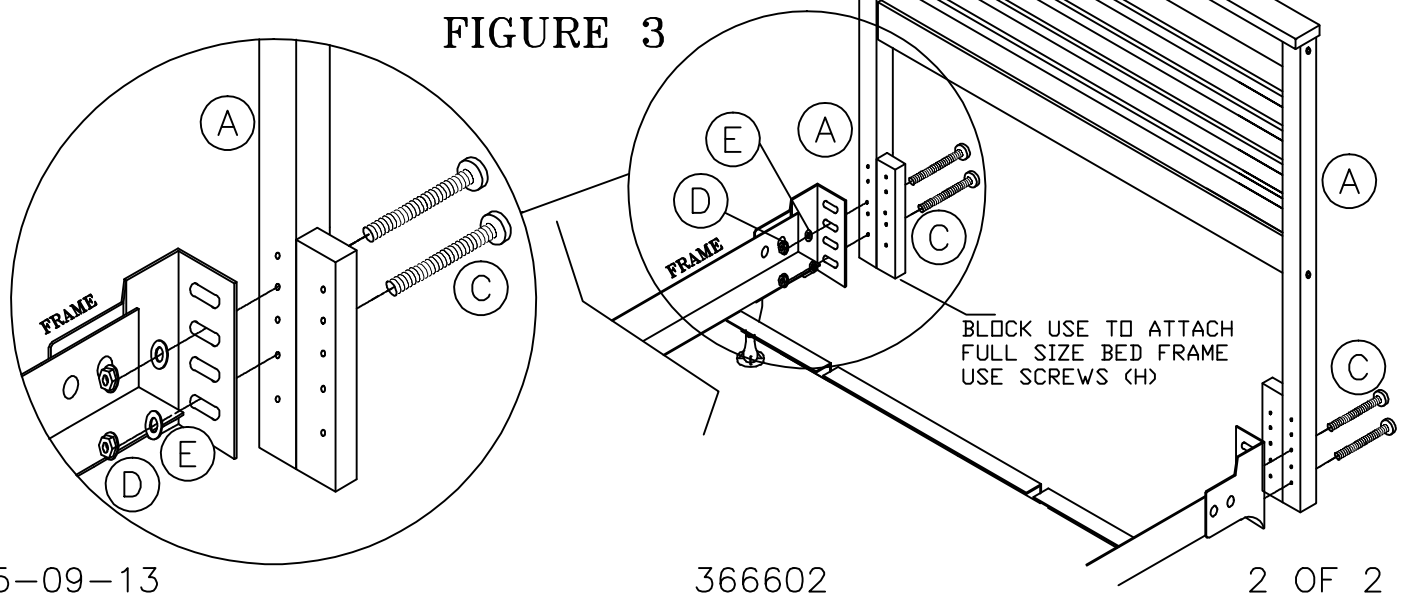
Instruction Sheet

- Secure posts (A) to the grill panel (B) with screws (C). (See Figure 2)
- USE WRENCH (F) TO TIGHTEN ALL SCREWS SECURELY.



Step 3

- Insert screw (C) through post (A). (See Figure 3)
- Align screws in headboard panel post to holes in frame bracket. Secure screw with washers (E) and nuts (D). (See Figure 3)
- REPEAT ON OTHER HEADBOARD POST
- TIGHTEN ALL SCREWS SECURELY.
- NOTE: FOR FULL SIZE ASSEMBLY USE SCREWS (H) THAT ARE INCLUDED IN THE HARDWARE



leggett & platt®

fashion bed™

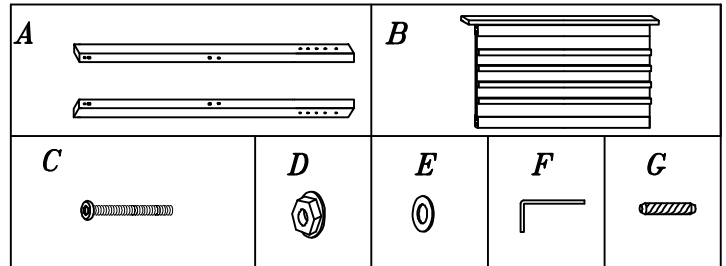
6755 W. 65th Street Bedford Park, IL 60638
Part List For Uptown Headboard

PARTS IN TWIN HEADBOARD BOX:

- (A) HEADBOARD POSTS-2
- (B) HEADBOARD GRILL-1

*PART #386502 HARDWARE FOR TWIN HDBD
(BLACK FINISH)*

- (C) 1/4-20 X 2 1/2" FLAT ALLEN HEAD SCREW-8
- (D) 1/4-20 HEX NUT-4
- (E) 1/4" ID METAL WASHER-4
- (F) ALLEN WRENCH
- (G) 10MM X 40MM WOOD DOWEL-4

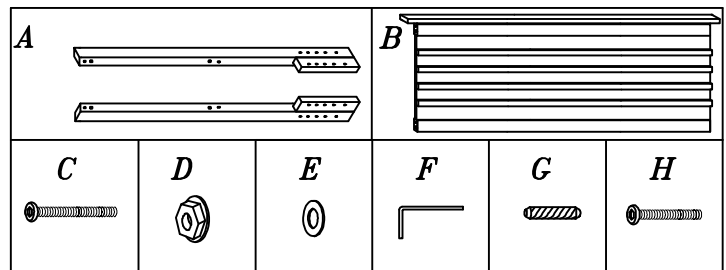


PARTS IN FULL & QUEEN HEADBOARD BOX:

- (A) HEADBOARD POSTS-2
- (B) HEADBOARD GRILL-1

*PART #386503 HARDWARE FOR FULL & QUEEN HDBD
(BLACK FINISH)*

- (C) 1/4-20 X 2 1/2" FLAT ALLEN HEAD SCREW-8
- (D) 1/4-20 HEX NUT-4
- (E) 1/4" ID METAL WASHER-4
- (F) ALLEN WRENCH
- (G) 10MM X 40MM WOOD DOWEL-4
- (H) 1/4-20 X 2" FLAT ALLEN HEAD SCREW-4

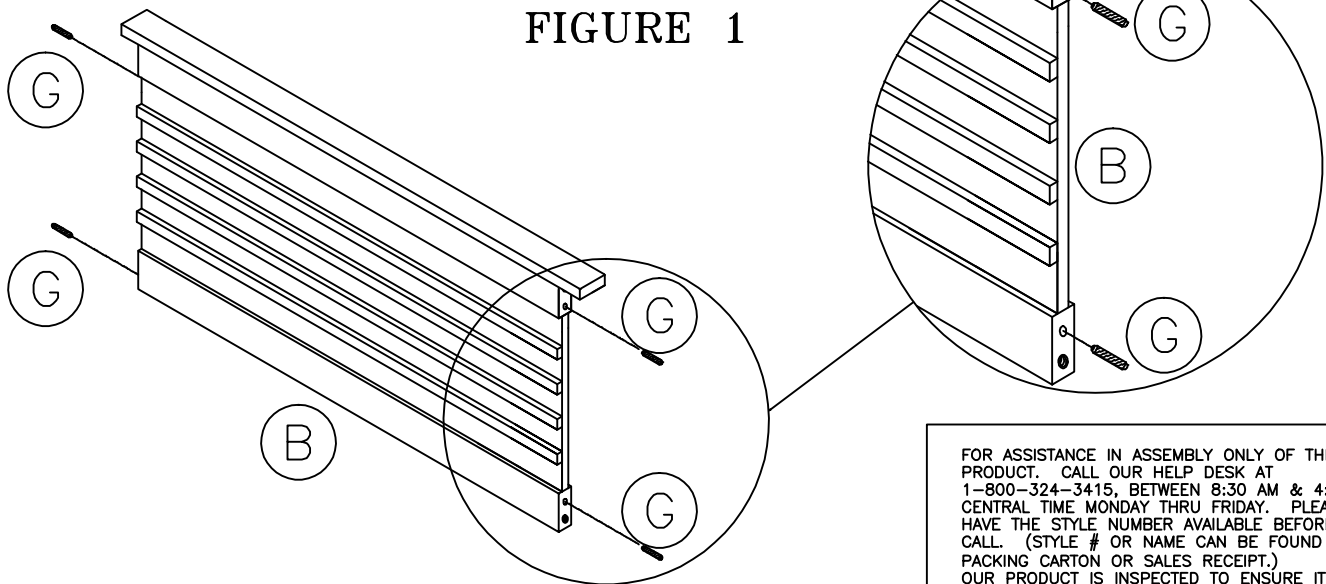


SAVE ALL PACKAGING MATERIALS UNTIL PRODUCT IS FULLY ASSEMBLED. HARDWARE AND SMALL PIECES MAY NOT BE SEEN AND COULD BE ACCIDENTALLY DISCARDED WITH PACKAGING MATERIALS.

Step 1

Instruction Sheet

- Insert wood dowels (G) into holes in grill (B). (See Figure 1)



FOR ASSISTANCE IN ASSEMBLY ONLY OF THIS PRODUCT. CALL OUR HELP DESK AT 1-800-324-3415, BETWEEN 8:30 AM & 4:30 PM CENTRAL TIME MONDAY THRU FRIDAY. PLEASE HAVE THE STYLE NUMBER AVAILABLE BEFORE YOU CALL. (STYLE # OR NAME CAN BE FOUND ON PACKING CARTON OR SALES RECEIPT.) OUR PRODUCT IS INSPECTED TO ENSURE IT IS IN GOOD CONDITION. IF YOUR FURNITURE APPEARS TO HAVE BEEN DAMAGED IN SHIPMENT OR YOU ARE IN NEED OF REPLACEMENT PARTS PLEASE CONTACT THE DEALER FROM WHOM YOU PURCHASED THE PRODUCT.