

leggett & platt. fashion home™

6755 W. 65th Bedford Park, IL 60638

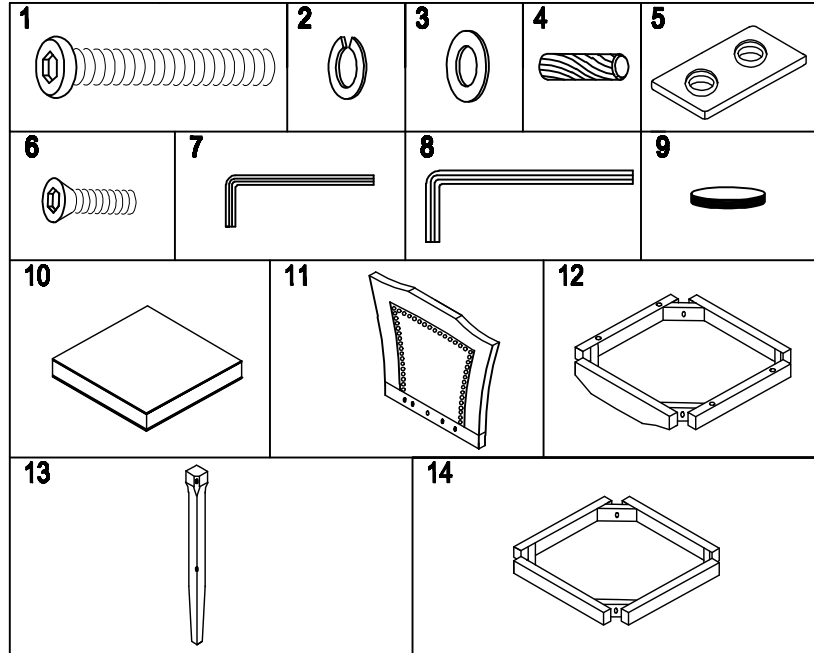
Parts List For Bar Stool #C1X090

BAR STOOL CARTON

- (10) SEAT-1
- (11) BACK PANEL-1
- (12) SEAT FRAME-1
- (13) LEGS-4
- (14) FOOT REST FRAME-1

HARDWARE BAG # 391902

- (1) 5/16-18 X 1 3/4" FLAT ALLEN HEAD SCREW-16
- (2) 5/16" ID METAL SPRING WASHER-4
- (3) 5/16" ID X 3/4" OD FLAT METAL WASHER-4
- (4) 10MM X 40MM WOOD DOWEL-1
- (5) METAL BRACKET-3
- (6) 1/4-20 X 5/8" COUNTERSUNK FLAT ALLEN HEAD SCREW-6
- (7) 4MM ALLEN WRENCH-1
- (8) 5MM ALLEN WRENCH-1
- (9) ADHESIVE FOOT GLIDE-4

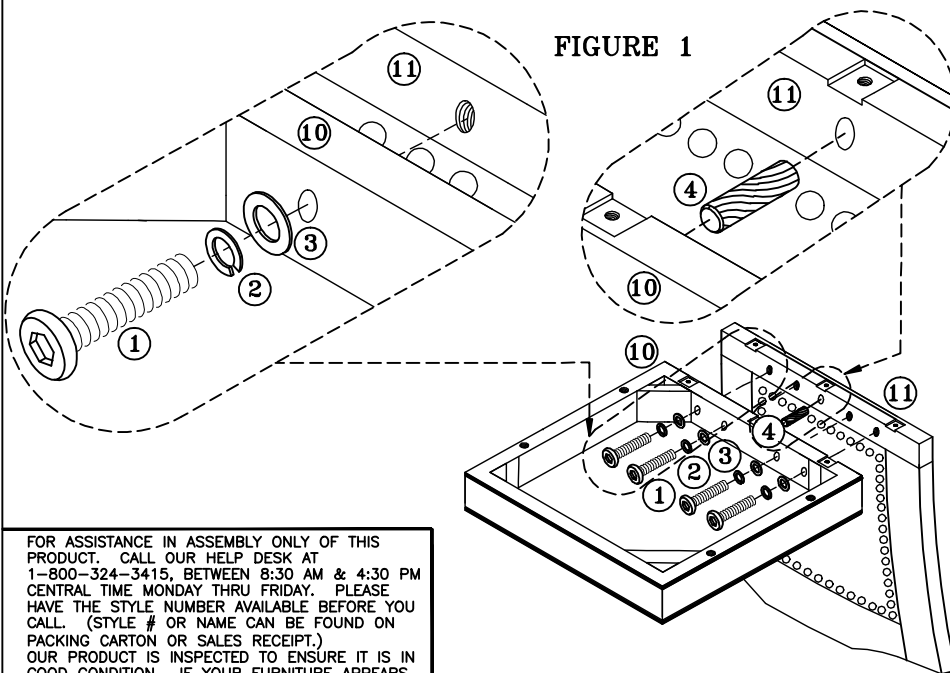


SAVE ALL PACKAGING MATERIALS UNTIL PRODUCT IS FULLY ASSEMBLED. HARDWARE AND SMALL PIECES MAY NOT BE SEEN AND COULD BE ACCIDENTALLY DISCARDED WITH PACKAGING MATERIALS.

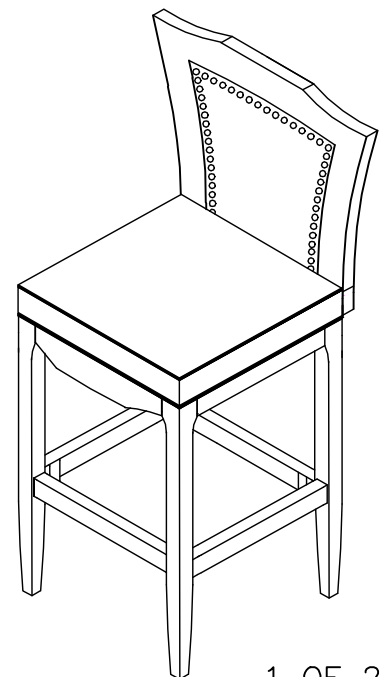
STEP 1- Assembly of Back Panel to Seat.

- Insert wood dowel (4) into pilot holes on seat (10) and back panel (11). SEE FIGURE 1
- Align pilot holes on seat (10) with threaded inserts on back panel (11).
- Secure seat (10) with screw (1), spring washer (2) and flat metal washer (3). SEE FIGURE 1
- Finger tighten screws. DO NOT TIGHTEN SCREWS COMPLETELY

FIGURE 1



PRODUCT FULLY ASSEMBLED



FOR ASSISTANCE IN ASSEMBLY ONLY OF THIS PRODUCT. CALL OUR HELP DESK AT 1-800-324-3415, BETWEEN 8:30 AM & 4:30 PM CENTRAL TIME MONDAY THRU FRIDAY. PLEASE HAVE THE STYLE NUMBER AVAILABLE BEFORE YOU CALL. (STYLE # OR NAME CAN BE FOUND ON PACKING CARTON OR SALES RECEIPT.) OUR PRODUCT IS INSPECTED TO ENSURE IT IS IN GOOD CONDITION. IF YOUR FURNITURE APPEARS TO HAVE BEEN DAMAGED IN SHIPMENT OR YOU ARE IN NEED OF REPLACEMENT PARTS PLEASE CONTACT THE DEALER FROM WHOM YOU PURCHASED THE PRODUCT.

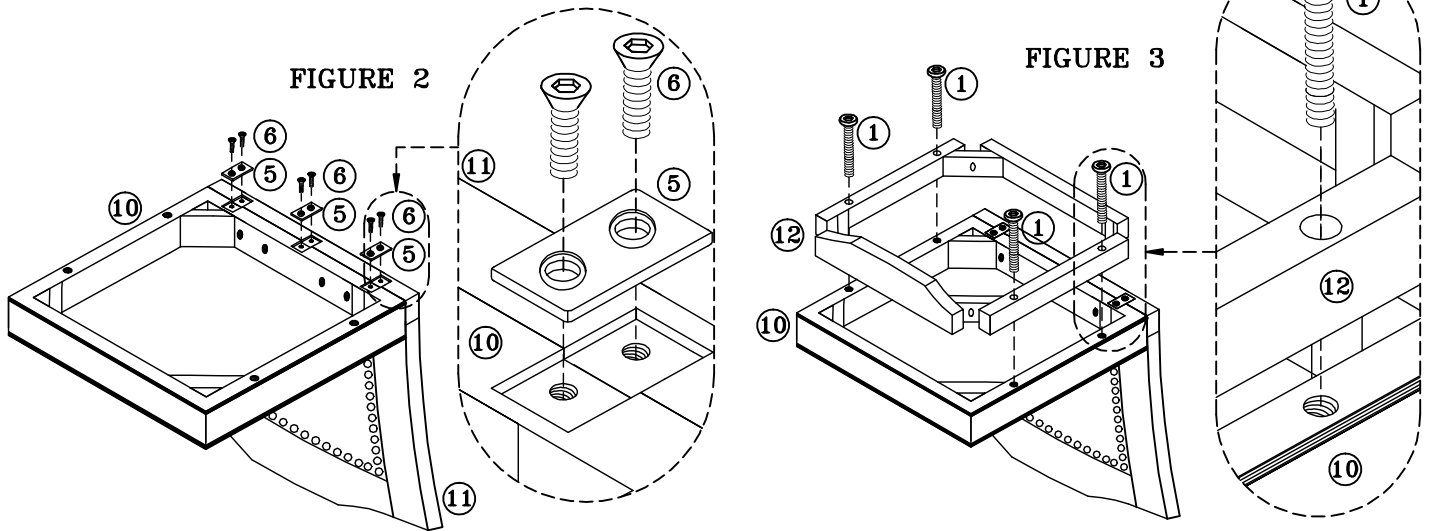
Instruction Sheet

STEP 2- Assembly of Metal Bracket to Seat and Back Panel.

- Align holes on metal bracket (5) with threaded inserts on seat (10) and back panel (11).
 - Secure metal bracket (5) with screw (6). Use Allen wrench (7). SEE FIGURE 2
- NOW TIGHTEN SCREWS (1) FROM STEP 1 (FIGURE 1) USE ALLEN WRENCH (8).

STEP 3- Assembly of Seat Frame to Seat.

- Align pilot holes on seat frame (12) with threaded inserts on seat (10). SEE FIGURE 3
- Secure seat frame (12) with screw (1). Use Allen wrench (8).



STEP 4- Assembly of Legs to Seat Frame.

- Place leg (13) on each corner of seat frame (12). SEE FIGURE 4
- Secure legs (13) with screw (1). Finger tighten screws. DO NOT TIGHTEN SCREWS COMPLETELY

STEP 5- Assembly of Foot Rest.

- Place Foot rest (14) between legs (13). SEE FIGURE 5
 - Align pilot holes on foot rest (14) with threaded inserts on legs (13).
 - Secure foot rest with screw (1). Use Allen wrench (8).
- NOW TIGHTEN SCREWS (1) FROM STEP 4 (FIGURE 4)

APPLY ADHESIVE FOOT GLIDE ON EACH LEG (OPTIONAL)

