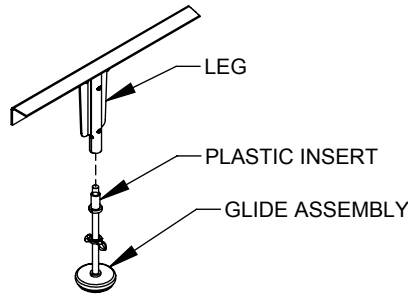


# 515 CONVERTER RAIL ASSEMBLY INSTRUCTIONS

**Figure 1**



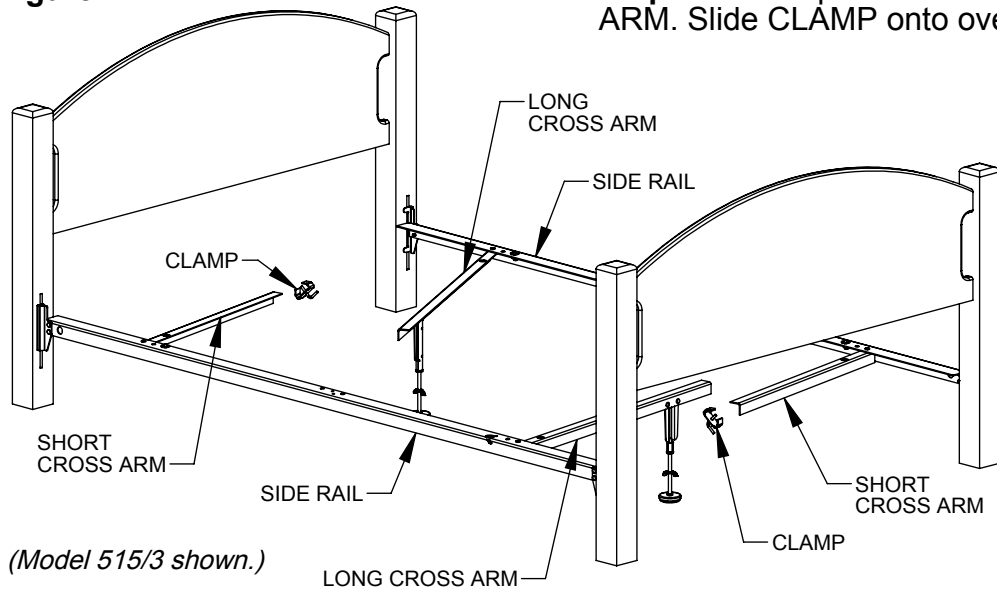
**Step 1:** Tap GLIDE ASSEMBLY into LEG until PLASTIC INSERT is fully seated. See Figure 1.

**Step 2:** Attach SIDE RAILS to headboard and footboard. If installing hook-on rails, make sure that the hook-on brackets grip the post pins. If installing bolt-on rails, make sure all nuts and bolts are securely tightened.

**Step 3:** Swing out CROSS ARMS and slide CLAMP onto SHORT CROSS ARM as shown in Figure 2.

**Step 4:** Overlap cross arms with the SHORT CROSS ARM on top of the LONG CROSS ARM. Slide CLAMP onto overlapped cross arms.

**Figure 2**



**Step 5:** *Model 515-3 only.*

Assemble CENTER CROSS ARMS as detailed in Step 4 and attach to SIDE RAILS as shown in Figure 3.

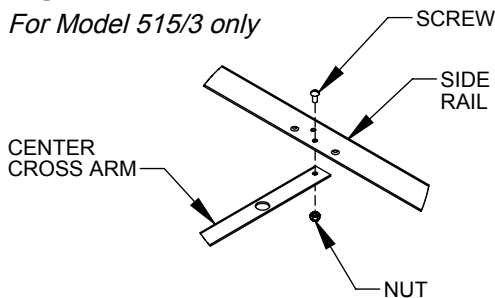
**Step 6:** For all CROSS ARMS, position CLAMP one inch from end of LONG CROSS ARM and tighten. See Figure 4.

**Step 7:** Adjust glide height to clear the floor or carpet surface by 1/4 inch. Lock glides in place by turning wing nuts tight against the plastic inserts.

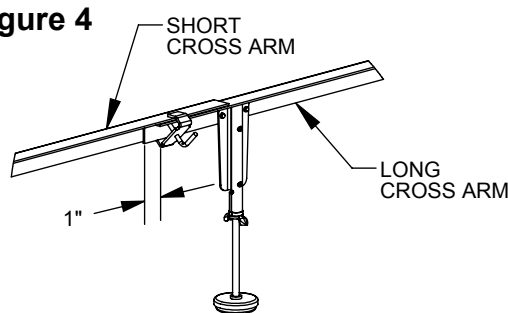
**Step 8:** Attach each of the four RETAINER BRACKETS to the SIDE RAIL as detailed in Figure 4. Position the box spring on the side rails and adjust retainer brackets for tight fit. Lock RETAINER BRACKETS in place by tightening WING NUTS.

**Figure 3**

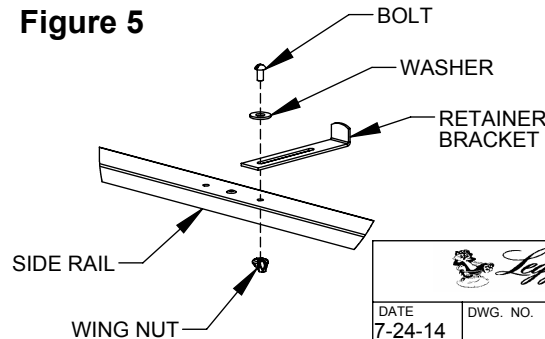
*For Model 515/3 only*



**Figure 4**



**Figure 5**



TO THE EXTENT PERMITTED BY APPLICABLE LAW, ANY OTHER WARRANTIES, EXPRESS OR IMPLIED, INCLUDING ANY IMPLIED WARRANTY OF MERCHANTABILITY OR FITNESS FOR A PARTICULAR PURPOSE, ARE HEREBY DISCLAIMED; PROVIDED, THAT TO THE EXTENT APPLICABLE LAW DOES NOT ALLOW SUCH DISCLAIMER OF ANY PARTICULAR IMPLIED WARRANTY, SUCH WARRANTY SHALL BE LIMITED IN DURATION AND OTHERWISE TO THE EXPRESS WARRANTY SET FORTH HEREIN AND IS SUBJECT TO THE SAME LIMITATIONS SET FORTH HEREIN. IN NO EVENT SHALL LPCPG BE LIABLE FOR (A) SPECIAL, INCIDENTAL OR CONSEQUENTIAL DAMAGES, OR (B) DAMAGES IN EXCESS OF THE PURCHASE PRICE OF THE PRODUCT, WHETHER ARISING IN CONTRACT OR TORT (INCLUDING NEGLIGENCE). No modification of this warranty shall be effective unless it is in writing and signed by an authorized officer of LPCPG. This warranty is exclusive and in lieu of all other warranties, oral or written, and supersedes all previous warranties, if any.

Some states and provinces do not allow limitations on how long an implied warranty lasts, so the above limitations may not apply to every Purchaser. Some states and provinces do not allow the exclusion or limitation of special, incidental or consequential damages, so the above limitation or exclusion may not apply to every Purchaser. This warranty gives the Purchaser specific legal rights and the Purchaser may have other legal rights which vary by state or by province. This warranty does not apply to sales outside of the United States and Canada.

For Residents of Canada: This warranty is subject to the applicable provisions of Canadian consumer protection laws that cannot be derogated from by private agreement. You confirm your request that this warranty and all documents related directly or indirectly thereto be drafted in the English language. Vous reconnaissez avoir requis que la présente convention ainsi que tous les documents qui s'y rattachent directement ou indirectement soient rédigés en langue anglaise.

For warranty inquiries and claim submission, please visit [LPCPG.com](http://LPCPG.com) and click on "Contact Us" or call 1-800-825-5233.

Leggett & Platt® Consumer Products Group ("LPCPG") warrants to the original retail purchaser ("Purchaser") that the LPCPG bed frame, center support system, bed rails, rollaway cot, top spring and/or pop up unit ("Product"), will at the time of purchase be free from defects in material and workmanship caused by LPCPG, subject to the terms and conditions set forth herein. This warranty shall apply for a period of one (1) year from date of purchase of the Product by the Purchaser from an authorized retailer.

This warranty extends only to the Purchaser and may not be assigned or transferred. The Purchaser must be an individual who purchases the Product directly from an authorized retailer for the Purchaser's own single family residential use. If a buyer is not the Purchaser of the Product, he/she takes the Product "as is" and "with all faults." Proof of purchase will be required to demonstrate that buyer is the Purchaser and eligible to make a valid claim under this warranty.

In the event of a breach of this warranty, upon timely notice during the warranty period, LPCPG's sole obligation shall be to, at LPCPG's option, either repair or replace the Product or allow credit in the amount of the purchase price for the Product. Repair, replacement, or a credit allowance shall be the sole and exclusive remedy under this warranty. To take advantage of this warranty, return the defective Product to the store where purchased. If the seller has moved or gone out of business, contact LPCPG directly for claim submission at either the website or the telephone number provided in the last paragraph of this warranty. Any transportation, shipping and handling costs, and the risk of loss during transit, shall be borne by the Purchaser. Repairs to or exchange of a Product under the terms of this warranty will apply to the original warranty period and will not serve to extend such warranty period. LPCPG will not be responsible for repair, replacement, or credit where damage to the Product has been caused by (i) abuse, negligence, improper installation, or misuse of the Product; (ii) acts or omissions of any person or entity other than LPCPG; (iii) institutional or commercial use; or (iv) acts of God or other natural forces.

DATE 7-24-14	DWG. NO. <b>99301004</b>
DO NOT SCALE DRAWING   SHEET 1 OF 1	