

FASHION BED GROUP®

A *Leavitt & Platt* COMPANY

6755 W. 65th Street—Bedford Park, IL 60638

Parts List For Scottsdale Daybed

PART #398602 MOUNTING GRILLS HARDWARE BAG

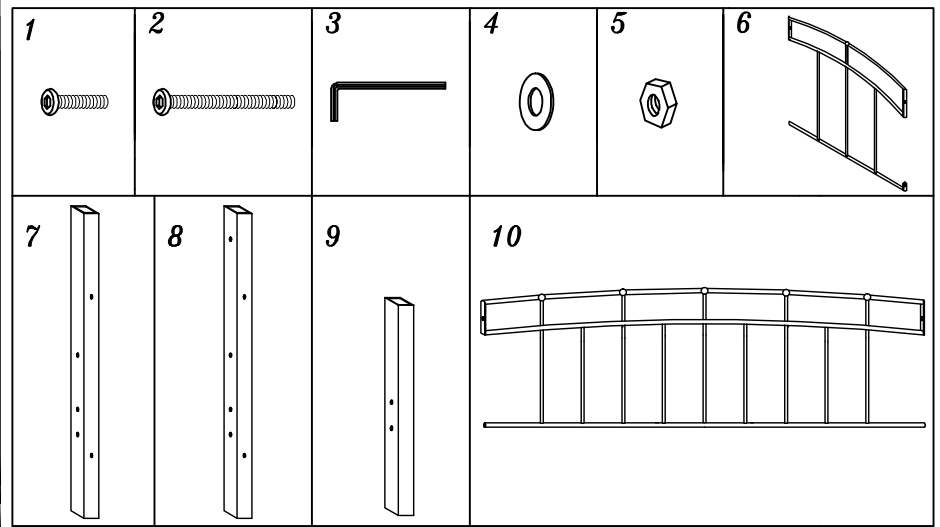
- (1) 6MM X 20MM FLAT ALLEN HEAD SCREW-8
- (2) 6MM X 70MM FLAT ALLEN HEAD SCREW-4
- (3) 4MM ALLEN WRENCH-1

PART #398603 MOUNTING FRAME HARDWARE BAG

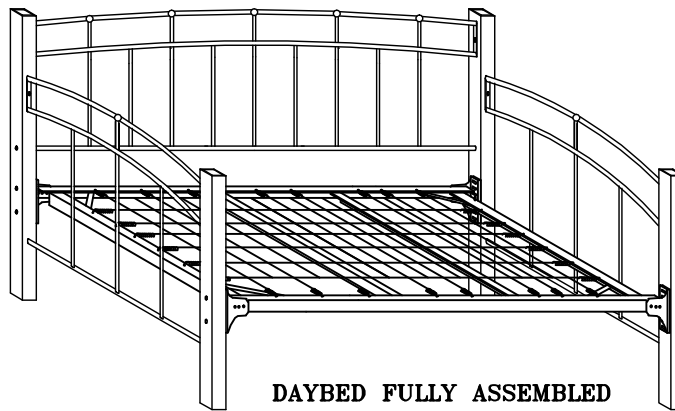
- (2) 6MM X 70MM FLAT ALLEN HEAD SCREW-8
- (3) ALLEN WRENCH-1
- (4) 6MM ID X 10MM OD FLAT METAL WASHER-16
- (5) 6MM HEX NUTS-8

DAYBED PARTS:

- (6) SIDE PANEL GRILL-2
- (7) LEFT BACK POST-1
- (8) RIGHT BACK POST-1
- (9) FRONT POST-2
- (10) BACK PANEL-1



SAVE ALL PACKAGING MATERIALS UNTIL PRODUCT IS FULLY ASSEMBLED. HARDWARE AND SMALL PIECES MAY NOT BE SEEN AND COULD BE ACCIDENTALLY DISCARDED WITH PACKAGING MATERIALS.



Instruction Sheet • For ease of assembly you will need a helper.
• Periodically retighten all screws.

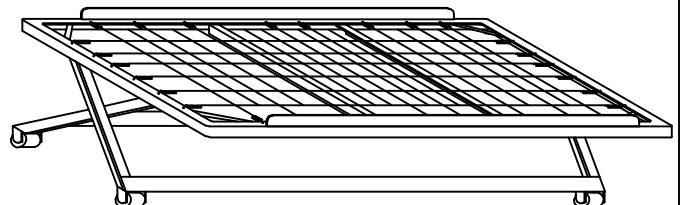
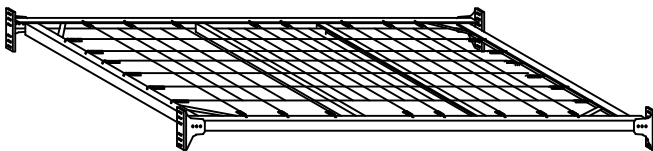
STEP 1- Locate hardware bag for Daybed & Link Spring Assembly.

- Hardware bag for daybed assembly is located inside the daybed box.
- Link spring – follow manufacturer instructions to assembly end brackets to link spring before attaching to daybed

OPTIONAL

"LINK SPRING SOLD SEPARATELY"

"TRUNDLE UNIT SOLD SEPARATELY"



Instruction Sheet

STEP 2- Assembly of Side Panel.

- Align side panel (6) pilot holes with threaded inserts on left back post (7) and front post (9). SEE FIGURE 1
- Secure side panel (6) to left back post (7) and front post (9) with screw (1) and screw (2). Use Allen wrench (3) to tighten.
- Repeat same step with right back post (8) and front post (9).

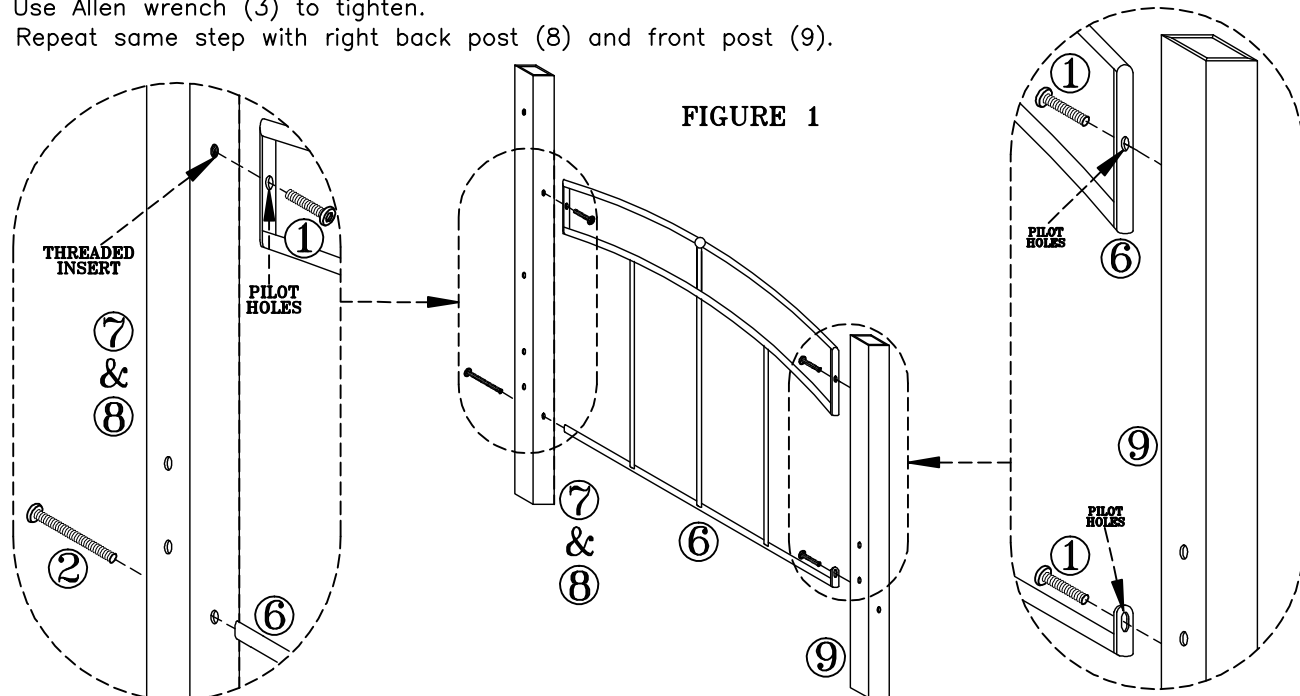


FIGURE 1

STEP 3- Attachment of link spring to Daybed Side Panels.

- Align holes on link spring metal brackets with pilot holes on back posts (7 & 8) and front post (9) post. SEE FIGURE 2
- Secure link spring with screw (2), flat metal washer (4) and hex nut (5). Use Allen wrench (3). DO NOT TIGHTEN SCREWS COMPLETELY

STEP 4- Assembly of Back Panel.

- Align pilot holes on back panel (10) with threaded insert on back posts (7 & 8). SEE FIGURE 3
- Secure back panel (10) with screw (1) and screw (2). Use Allen wrench (3).
- Now Tighten screws (2) completely STEP 3 FIGURE 2. Use Allen wrench (3).

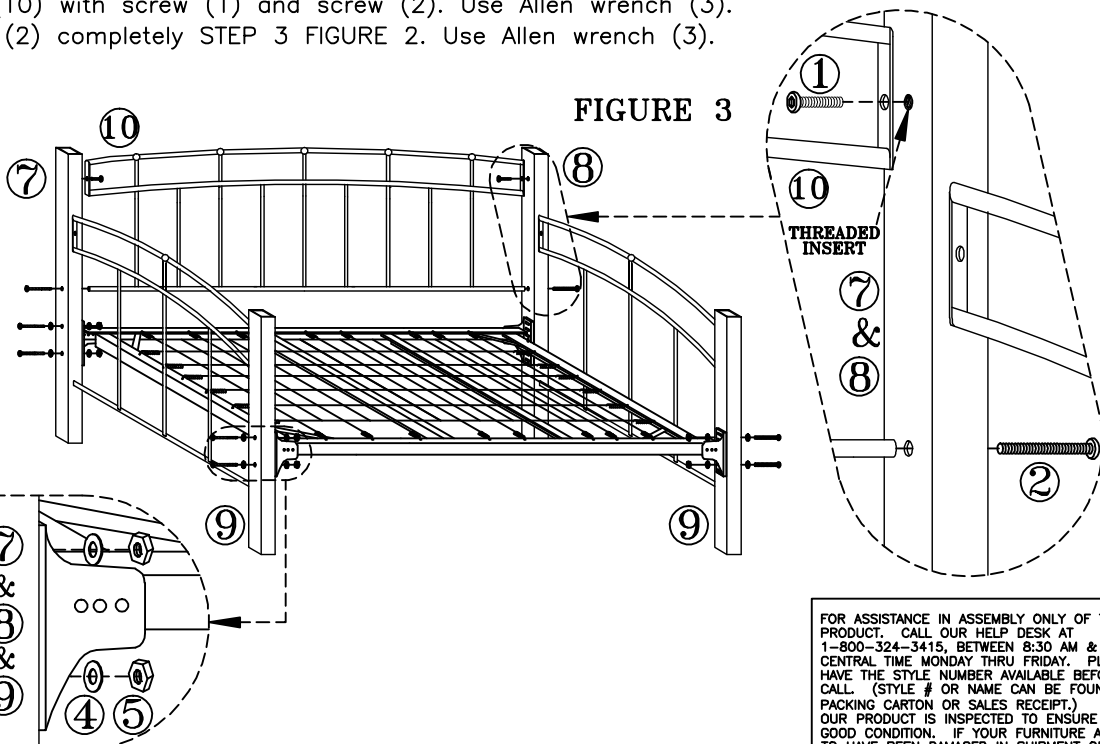


FIGURE 3

FIGURE 2

FOR ASSISTANCE IN ASSEMBLY ONLY OF THIS PRODUCT. CALL OUR HELP DESK AT 1-800-324-3415, BETWEEN 8:30 AM & 4:30 PM CENTRAL TIME MONDAY THRU FRIDAY. PLEASE HAVE THE STYLE NUMBER AVAILABLE BEFORE YOU CALL. (STYLE # OR NAME CAN BE FOUND ON PACKING CARTON OR SALES RECEIPT.) OUR PRODUCT IS INSPECTED TO ENSURE IT IS IN GOOD CONDITION. IF YOUR FURNITURE APPEARS TO HAVE BEEN DAMAGED IN SHIPMENT OR YOU ARE IN NEED OF REPLACEMENT PARTS PLEASE CONTACT THE DEALER FROM WHOM YOU PURCHASED THE PRODUCT.