

# FASHION BED GROUP®

A *Lewett & Platt* COMPANY

6755 W. 65th Street—Bedford Park, IL 60638

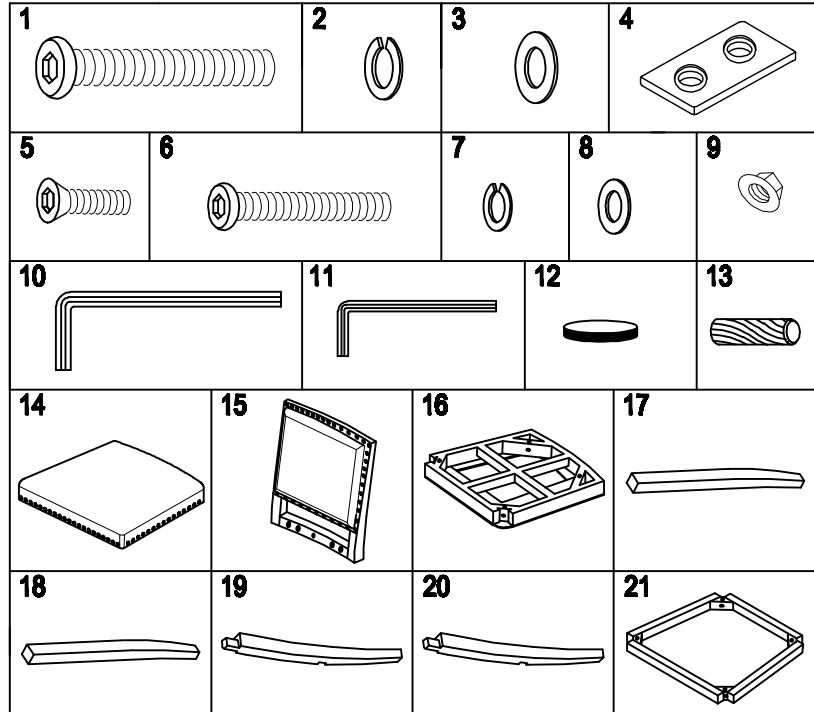
Parts List For Stool # C1X116 / C1X110

## BAR STOOL CARTON

- (14) SEAT-1
- (15) BACK PANEL-1
- (16) SEAT FRAME-1
- (17) FRONT RIGHT LEG-1 (LABEL #1)
- (18) FRONT LEFT LEG-1 (LABEL #2)
- (19) BACK RIGHT LEG-1 (LABEL #3)
- (20) BACK LEFT LEG-1 (LABEL #4)
- (21) FOOT REST FRAME-1

### HARDWARE BAG # 394202

- (1) 5/16-18 X 1 3/4" FLAT ALLEN HEAD SCREW-12
- (2) 5/16" ID METAL SPRING WASHER-4
- (3) 5/16" ID X 3/4" OD FLAT METAL WASHER-4
- (4) METAL BRACKET-3
- (5) 1/4-20 X 5/8" COUNTERSUNK FLAT ALLEN H. SCREW-6
- (6) 1/4-20 X 1 5/8" FLAT ALLEN HEAD SCREW-4
- (7) 1/4" ID METAL SPRING WASHER-4
- (8) 1/4" ID X 5/8" OD FLAT METAL WASHER-4
- (9) 1/4-20 NEX NUT-4
- (10) 5MM ALLEN WRENCH-1
- (11) 4MM ALLEN WRENCH-1
- (12) ADHESIVE FOOT GLIDE-4
- (13) 10MM X 40MM WOOD DOWEL-1



SAVE ALL PACKAGING MATERIALS UNTIL PRODUCT IS FULLY ASSEMBLED. HARDWARE AND SMALL PIECES MAY NOT BE SEEN AND COULD BE ACCIDENTALLY DISCARDED WITH PACKAGING MATERIALS.

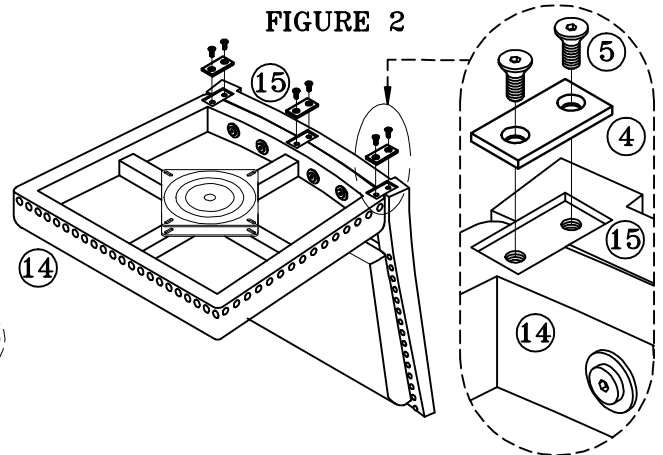
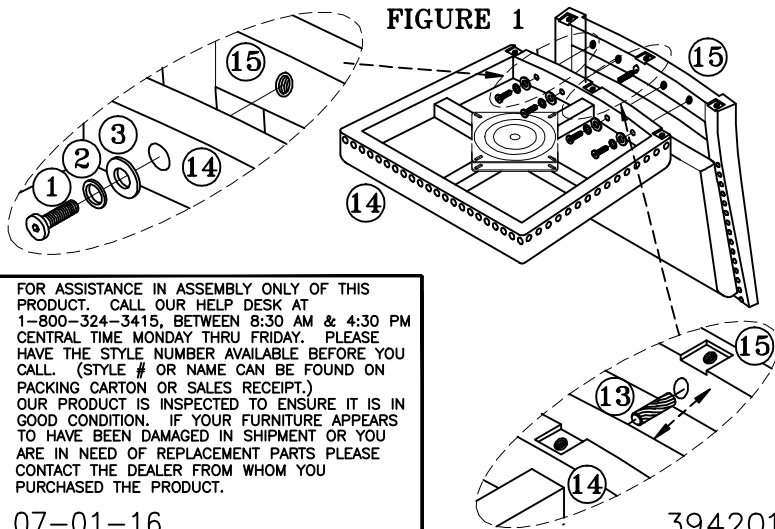
**NOTE: FOR EASY ASSEMBLY YOU NEED THE HELP OF OTHER PERSON.**

### STEP 1- Assembly of Back Panel to Seat.

- Insert wood dowel (13) into pilot holes on seat (14) and back panel (15). SEE FIGURE 1
- Align pilot holes on seat (14) with threaded inserts on back panel (15).
- Secure seat (14) with screw (1), spring washer (2) and flat metal washer (3). SEE FIGURE 1
- Finger tighten screws. DO NOT TIGHTEN SCREWS COMPLETELY

### STEP 2- Assembly of Metal Bracket to Seat and Back Panel.

- Align holes on metal bracket (4) with threaded inserts on seat (14) and back panel (15).
  - Secure metal bracket (4) with screw (5). Use Allen wrench (11). SEE FIGURE 2
- NOW TIGHTEN SCREWS (1) FROM STEP 1 (FIGURE 1) USE ALLEN WRENCH (10).

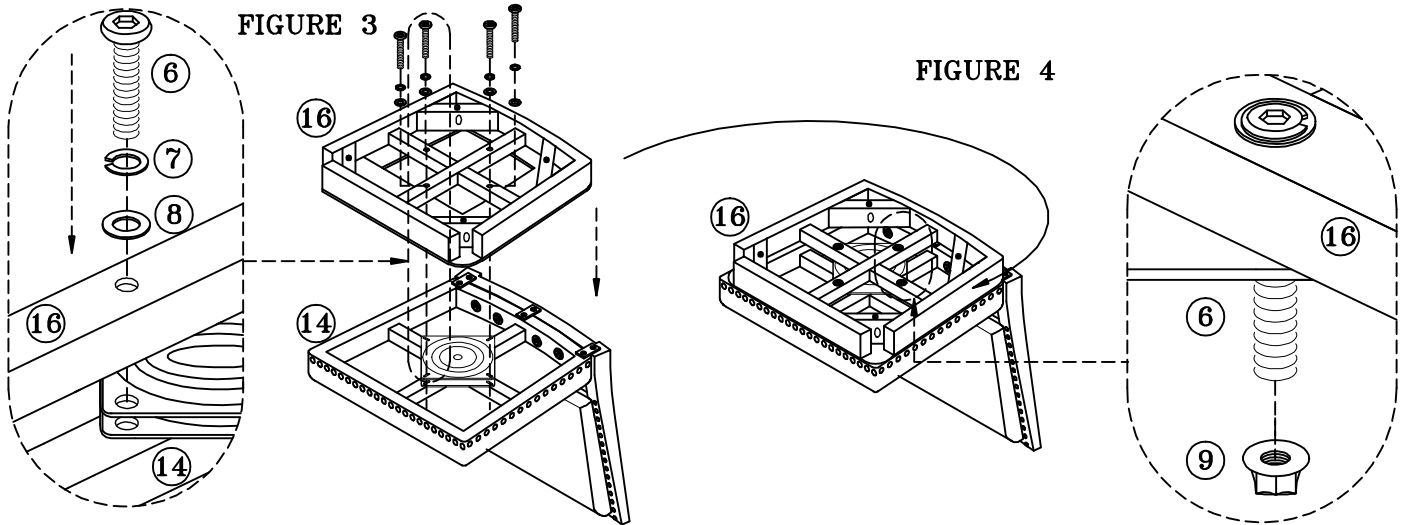


FOR ASSISTANCE IN ASSEMBLY ONLY OF THIS PRODUCT. CALL OUR HELP DESK AT 1-800-324-3415, BETWEEN 8:30 AM & 4:30 PM CENTRAL TIME MONDAY THRU FRIDAY. PLEASE HAVE THE STYLE NUMBER AVAILABLE BEFORE YOU CALL. (STYLE # OR NAME CAN BE FOUND ON PACKING CARTON OR SALES RECEIPT.) OUR PRODUCT IS INSPECTED TO ENSURE IT IS IN GOOD CONDITION. IF YOUR FURNITURE APPEARS TO HAVE BEEN DAMAGED IN SHIPMENT OR YOU ARE IN NEED OF REPLACEMENT PARTS PLEASE CONTACT THE DEALER FROM WHOM YOU PURCHASED THE PRODUCT.

# Instruction Sheet

## STEP 3- Assembly of Seat Frame.

- Align pilot holes on seat frame (16) with swivel holes on seat (14). SEE FIGURE 3
- Insert spring washer (7) and flat metal washer (8) on screw (6). Now insert screw (6) on seat frame (16) holes and into swivel holes. SEE FIGURE 3
- Carefully turn seat frame at 45 degree and hold on place.
- Secure seat frame (16) with hex nut (9). SEE FIGURE 4
- Use Allen wrench (11) to tighten screws.



## STEP 4- Assembly of Legs to Seat Frame.

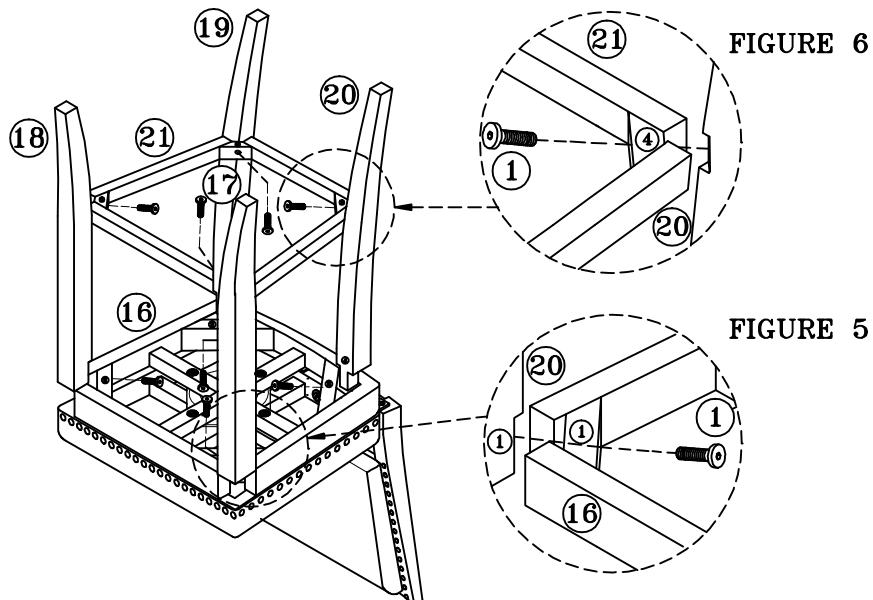
- Align pilot holes on seat frame (16) with threaded inserts on front right leg (17) and front left leg (18). SEE FIGURE 5
- Secure front legs (17 & 18) with screw (1). Hand tighten screws.  
DO NOT TIGHTEN SCREWS COMPLETELY
- Insert back right leg (19) and back left leg (20) into the back of the frame seat (16).
- Secure back legs (19 & 20) with screw (1). Hand tighten screws.  
DO NOT TIGHTEN SCREWS COMPLETELY

## STEP 5- Assembly of Foot Rest Frame.

**NOTE: Place foot rest between legs the same way seat frame corners are label.**

- Align pilot holes on foot rest frame (21) with threaded inserts on legs (17-18-19 and 20). SEE FIGURE 6
- Secure foot rest frame (21) with screw (1). Use Allen wrench (10) to tighten screws.  
NOW TIGHTEN SCREWS (1) FROM STEP 4 (FIGURE 5)

APPLY ADHESIVE FOOT GLIDE ON EACH LEG (OPTIONAL)



**PRODUCT FULLY ASSEMBLED**

