

FASHION BED GROUP®

A *Loewitt & Platt* COMPANY

6755 W. 65th Street Bedford Park, IL 60638

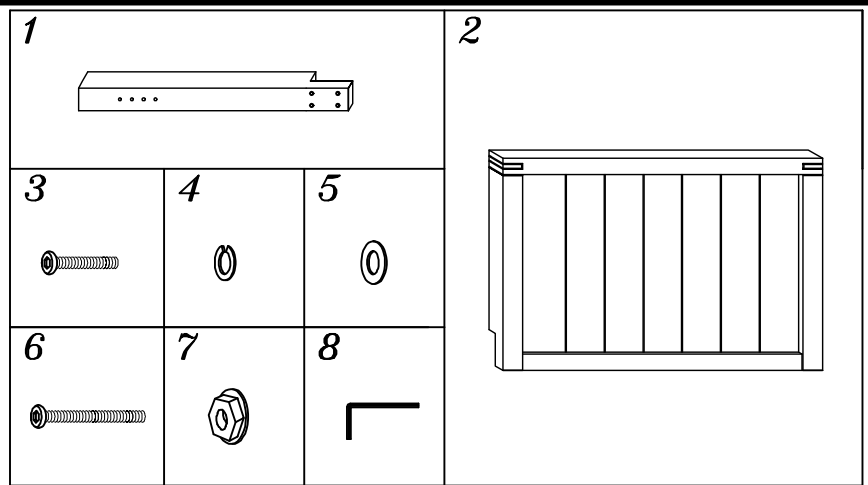
Part List For Porter Headboard

PARTS IN TWIN HEADBOARD BOX:

- (1) HEADBOARD EXTENSION LEG-2
- (2) HEADBOARD PANEL-1

PART #406302 HARDWARE BAG

- (3) 1/4-20 X 1 1/2" FLAT ALLEN HEAD SCREW-8
- (4) 1/4" ID SPRING METAL WASHER-12
- (5) 1/4" ID X 5/8" OD FLAT METAL WASHER-16
- (6) 1/4-20 X 2 3/4" FLAT ALLEN HEAD SCREW-4
- (7) 1/4-20 HEX NUT-4
- (8) 4MM ALLEN WRENCH



SAVE ALL PACKAGING MATERIALS UNTIL PRODUCT IS FULLY ASSEMBLED. HARDWARE AND SMALL PIECES MAY NOT BE SEEN AND COULD BE ACCIDENTALLY DISCARDED WITH PACKAGING MATERIALS.

Instruction Sheet

STEP 1- Assembly of Extension Leg.

- Carefully place and align extension leg (1) pilot holes with threaded inserts on headboard panel (2). SEE FIGURE 1
- Secure extension Leg (1) with screw (3), spring metal washer (4) and flat metal washer (5). SEE FIGURE 2
- Using Allen wrench (8) to tighten.

FIGURE 1

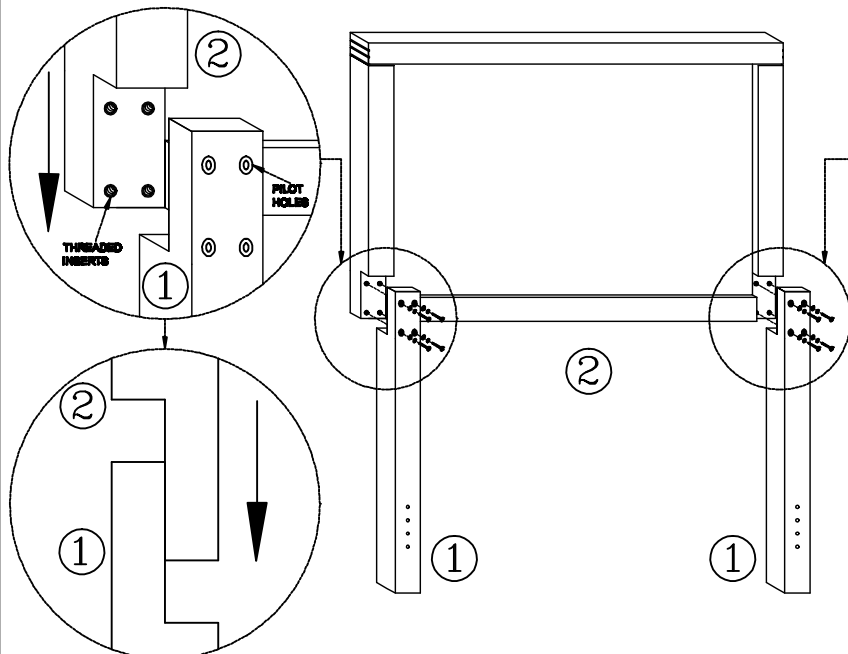
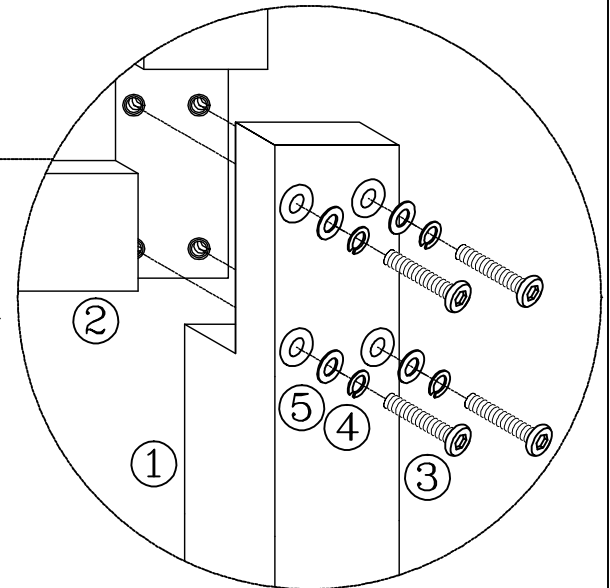


FIGURE 2

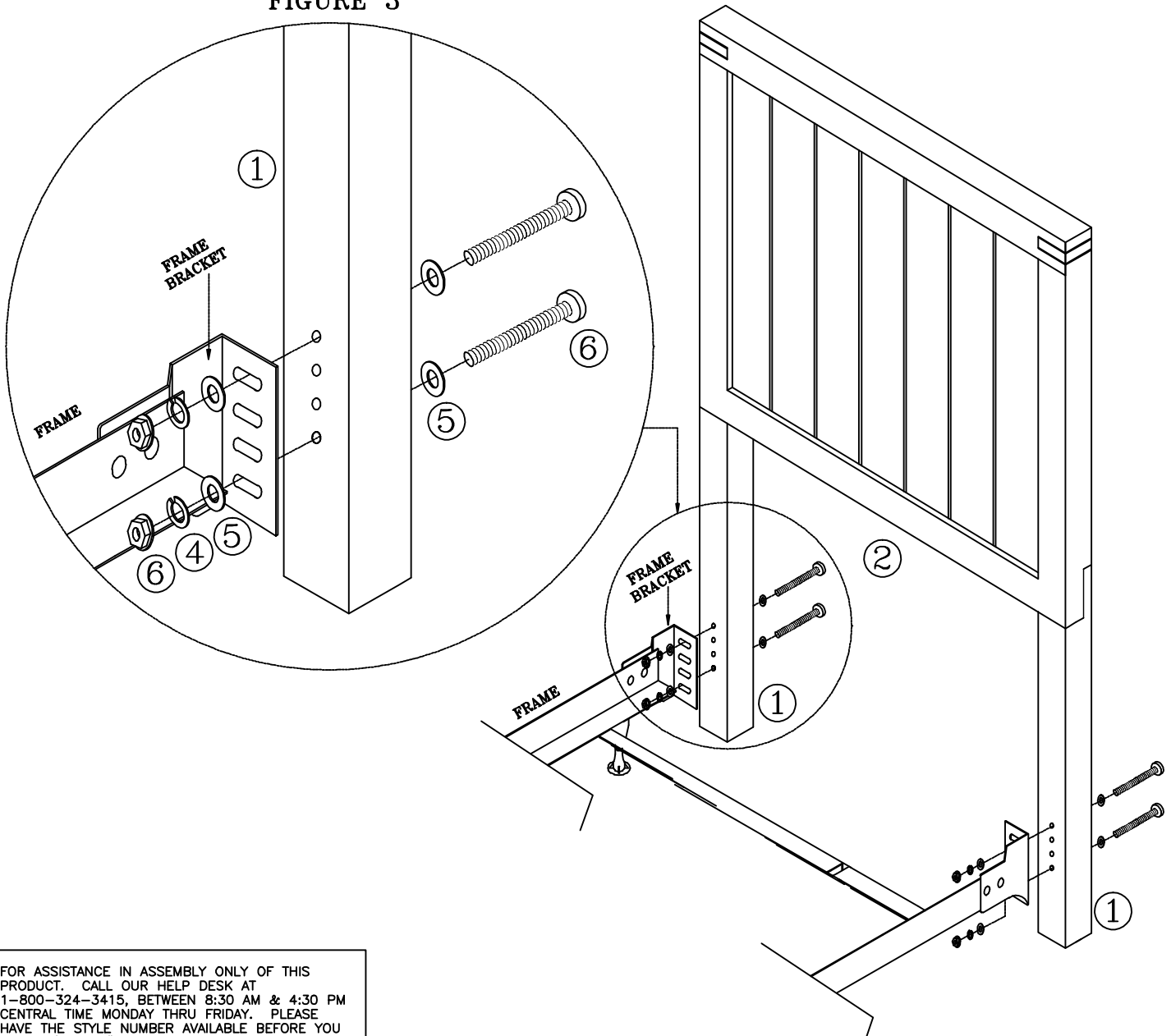


Instruction Sheet

STEP 2- Headboard Frame Assembly.

- Place headboard panel and frame in desired location on the room.
- Place flat metal washer (5) on each screw (6). SEE FIGURE 3
- Insert screws (6) through holes located in extension Leg (1). SEE FIGURE 3
- Align bed frame bracket over screw (1).
- Place a flat metal washer (5),spring metal washer (4) and hex nut (7) on each screw (6).
- **DO NOT TIGHTEN SCREWS COMPLETELY.**
- Repeat same step on other side of headboard panel.
- Tighten all screws (6) securely using Allen wrench (8).

FIGURE 3



FOR ASSISTANCE IN ASSEMBLY ONLY OF THIS PRODUCT, CALL OUR HELP DESK AT 1-800-324-3415, BETWEEN 8:30 AM & 4:30 PM CENTRAL TIME MONDAY THRU FRIDAY. PLEASE HAVE THE STYLE NUMBER AVAILABLE BEFORE YOU CALL. (STYLE # OR NAME CAN BE FOUND ON PACKING CARTON OR SALES RECEIPT.) OUR PRODUCT IS INSPECTED TO ENSURE IT IS IN GOOD CONDITION. IF YOUR FURNITURE APPEARS TO HAVE BEEN DAMAGED IN SHIPMENT OR YOU ARE IN NEED OF REPLACEMENT PARTS PLEASE CONTACT THE DEALER FROM WHOM YOU PURCHASED THE PRODUCT.