

# FASHION BED GROUP®

A *Leavitt & Platt* COMPANY

6755 W. 65th Street—Bedford Park, IL 60638

Parts List For Stool # C1X160 / C1X166

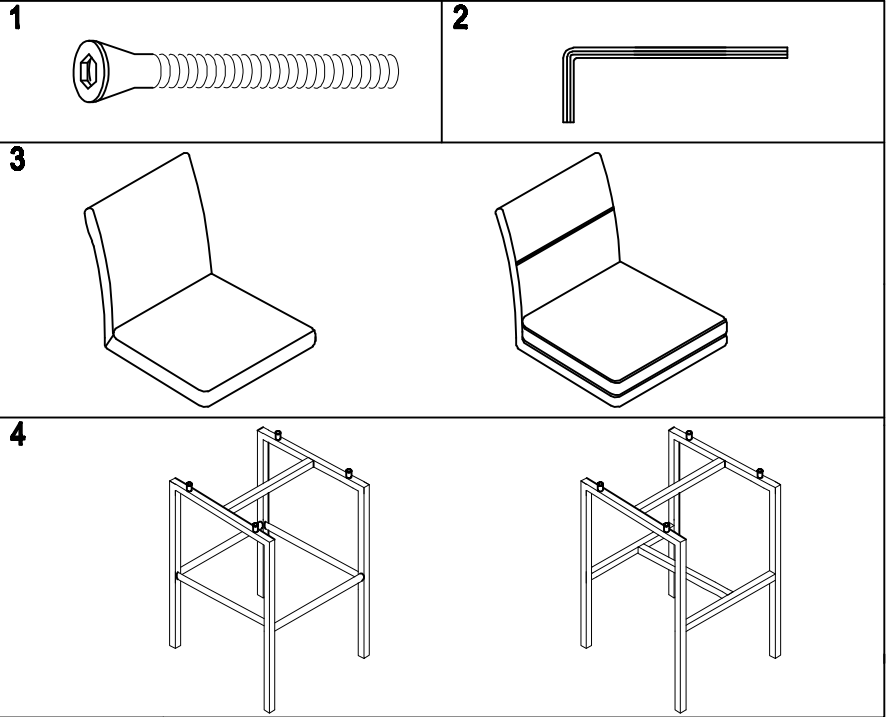
Parts List For Stool # C1X170 / C1X176

## STOOL CARTON

- (3) SEAT-1
- (4) BASE-1

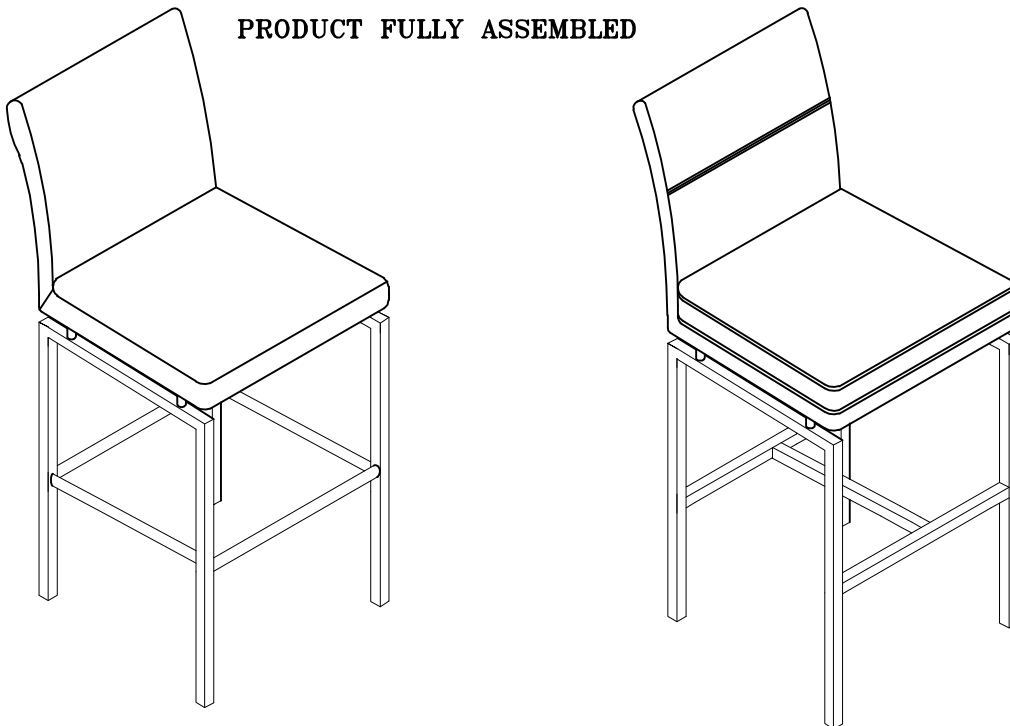
### HARDWARE BAG # 399601

- (1) 6MM X 45MM COUNTERSUNK HEAD SCREW-4
- (2) 4MM ALLEN WRENCH-1



SAVE ALL PACKAGING MATERIALS UNTIL PRODUCT IS FULLY ASSEMBLED. HARDWARE AND SMALL PIECES MAY NOT BE SEEN AND COULD BE ACCIDENTALLY DISCARDED WITH PACKAGING MATERIALS.

### PRODUCT FULLY ASSEMBLED



# Instruction Sheet

## STEP 1- Assembly of Seat.

- Carefully place seat (3) over base (4) . SEE FIGURE 1
- Make sure threaded insert on bottom of seat align with post.
- Secure seat (3) with screw (1). SEE FIGURE 2
- Use Allen wrench (2) to tighten screws.

FIGURE 2

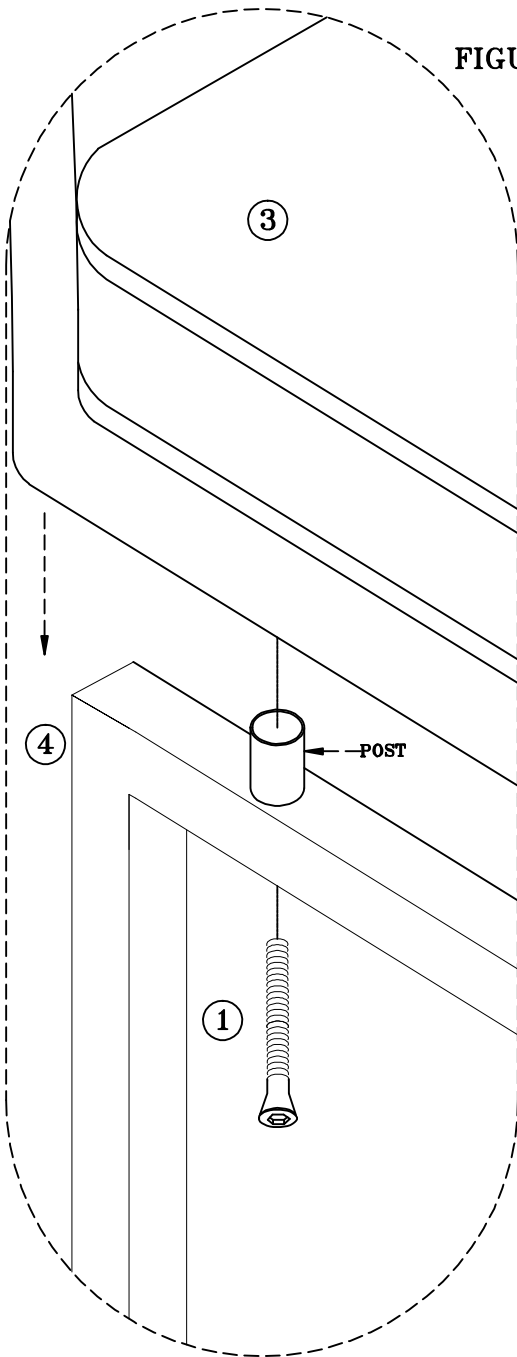
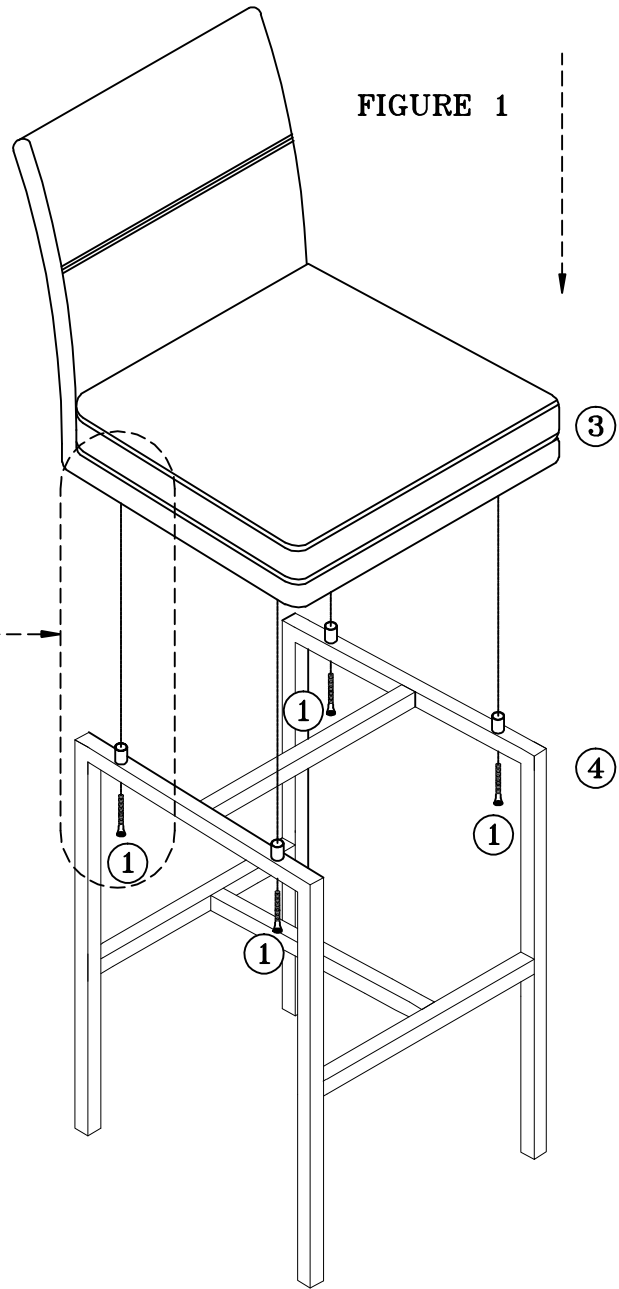


FIGURE 1



FOR ASSISTANCE IN ASSEMBLY ONLY OF THIS PRODUCT. CALL OUR HELP DESK AT 1-800-324-3415, BETWEEN 8:30 AM & 4:30 PM CENTRAL TIME MONDAY THRU FRIDAY. PLEASE HAVE THE STYLE NUMBER AVAILABLE BEFORE YOU CALL. (STYLE # OR NAME CAN BE FOUND ON PACKING CARTON OR SALES RECEIPT.) OUR PRODUCT IS INSPECTED TO ENSURE IT IS IN GOOD CONDITION. IF YOUR FURNITURE APPEARS TO HAVE BEEN DAMAGED IN SHIPMENT OR YOU ARE IN NEED OF REPLACEMENT PARTS PLEASE CONTACT THE DEALER FROM WHOM YOU PURCHASED THE PRODUCT.