

# FASHION BED GROUP.

A *Seibert & Platt* COMPANY

6755 W. 65th Street—Bedford Park, IL 60638

## Parts List For Palmer Bed

### HEADBOARD CARTON

(1) HEADBOARD PANEL-1

### FOOTBOARD CARTON

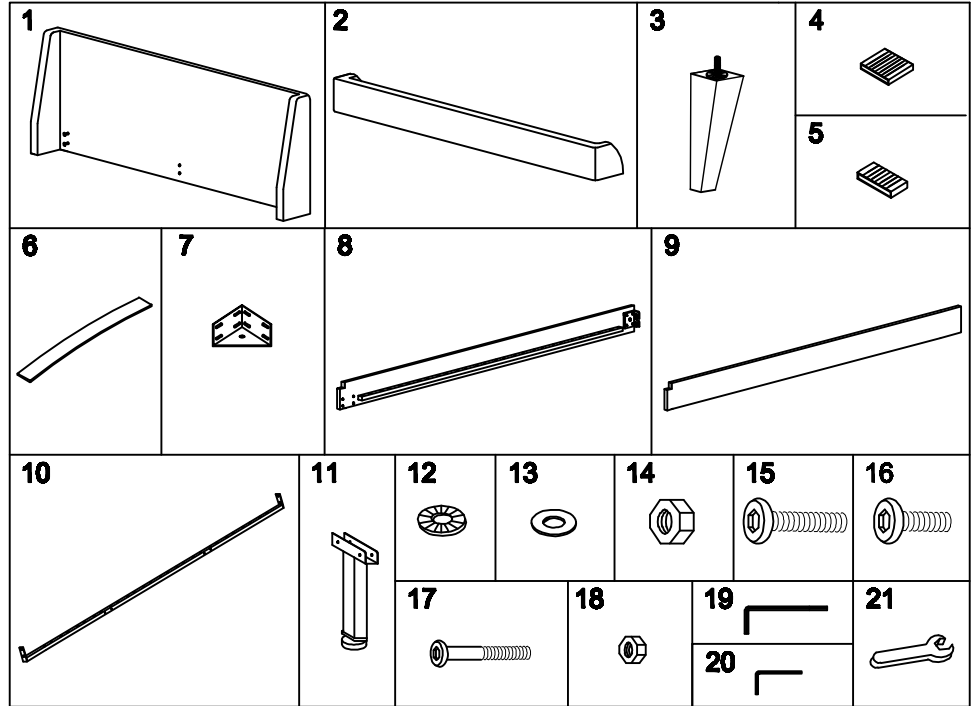
(2) FOOTBOARD PANEL-1  
(3) WOOD LEG-4  
(4) DOUBLE END PLASTIC CAP-14  
(5) SINGLE END PLASTIC CAP-28  
(6) SLATS-28

### SIDE RAIL CARTON

(7) METAL BRACKET-2  
(8) LEFT SIDE RAIL-1  
(9) RIGHT SIDE RAIL-1  
(10) CENTER SUPPORT RAIL-1  
(11) SUPPORT LEGS-2

### PART # 398102 HARDWARE BAG

(12) 8MM ID X 48MM OD PLASTIC WASHER-4  
PRE-INSTALLED  
(13) 8MM ID X 20MM OD FLAT METAL WASHER-2  
(14) 8MM HEX NUT-2  
(15) 8MM X 25MM FLAT ALLEN HEAD SCREWS -8  
NOTE: 6 (SCREWS PRE-INSTALLED)  
(16) 8MM X 16MM FLAT ALLEN HEAD SCREWS-16  
(17) 6MM X 40MM FLAT ALLEN HEAD SCREW -4  
(18) 6MM HEX NUT-4  
(19) 5MM ALLEN WRENCH- 1  
(20) 4MM ALLEN WRENCH-1  
(21) OPEN WRENCH-1



## Instruction Sheet

SAVE ALL PACKAGING MATERIALS UNTIL PRODUCT IS FULLY ASSEMBLED. HARDWARE AND SMALL PIECES MAY NOT BE SEEN AND COULD BE ACCIDENTALLY DISCARDED WITH PACKAGING MATERIALS.

### Step 1- Assembly of Wood Legs and Side Rails.

- Carefully remove plastic cover on wood leg (3) screw.
- Align screw on wood leg (3) with threaded insert under headboard panel (1). SEE FIGURE 1
- Secure Wood Leg (3) to headboard panel (1).
- Secure left side rail (8) and right side rail (9) on headboard panel (1). Use Allen wrench (19) to loosed screw (15) pre-installed in headboard panel (1) 4 or 5 turns; then insert metal bracket of side rail (8 & 9) over screw (15). SEE FIGURE 2

### DO NOT TIGHTEN SCREWS COMPLETE

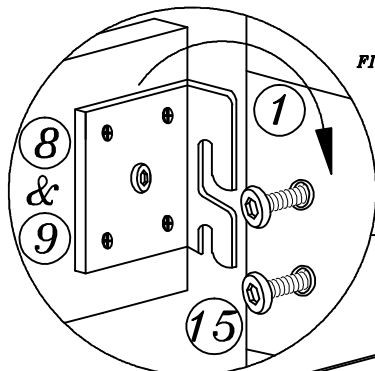


FIGURE 2

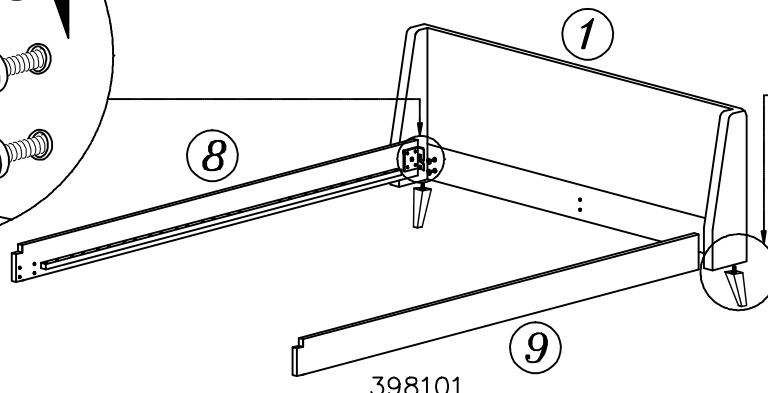
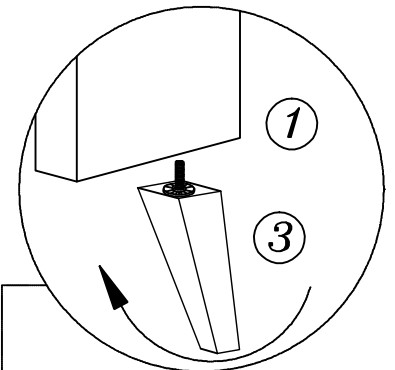


FIGURE 1



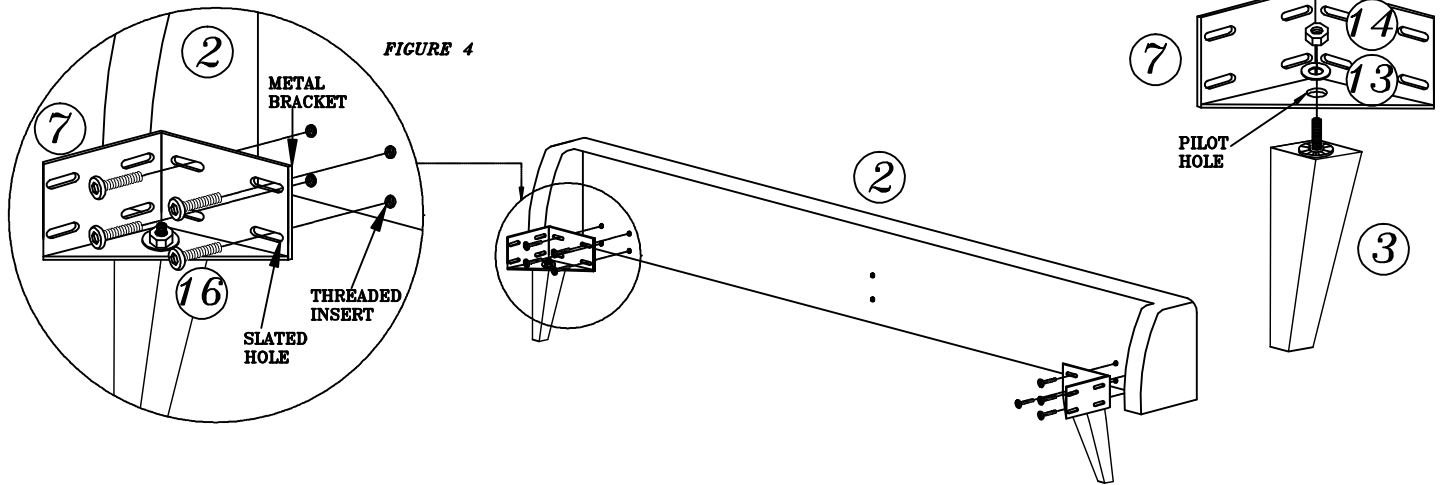
FOR ASSISTANCE IN ASSEMBLY ONLY OF THIS PRODUCT: CALL OUR HELP DESK AT 1-800-324-3415, BETWEEN 8:30 AM & 4:30 PM CENTRAL TIME MONDAY THRU FRIDAY. PLEASE HAVE THE STYLE NUMBER AVAILABLE BEFORE YOU CALL. (STYLE # OR NAME CAN BE FOUND ON PACKING CARTON OR SALES RECEIPT.) OUR PRODUCT IS INSPECTED TO ENSURE IT IS IN GOOD CONDITION. IF YOUR FURNITURE APPEARS TO HAVE BEEN DAMAGED IN SHIPMENT OR YOU ARE IN NEED OF REPLACEMENT PARTS PLEASE CONTACT THE DEALER FROM WHOM YOU PURCHASED THE PRODUCT.

## Instruction Sheet

### Step 2- Assembly of Metal Bracket.

- Carefully remove plastic cover on wood leg (3) screw.
- Insert screw on wood leg (3) into pilot holes on metal bracket (7).
- Secure wood leg (3) with flat metal washer (13) and hex nut (14). SEE FIGURE 3  
Use open wrench (21) to tighten.
- Align slated holes on metal bracket (7) with threaded inserts on footboard panel (2).  
SEE FIGURE 4
- Secure metal bracket (7) with screw (16). Use Allen wrench (19).

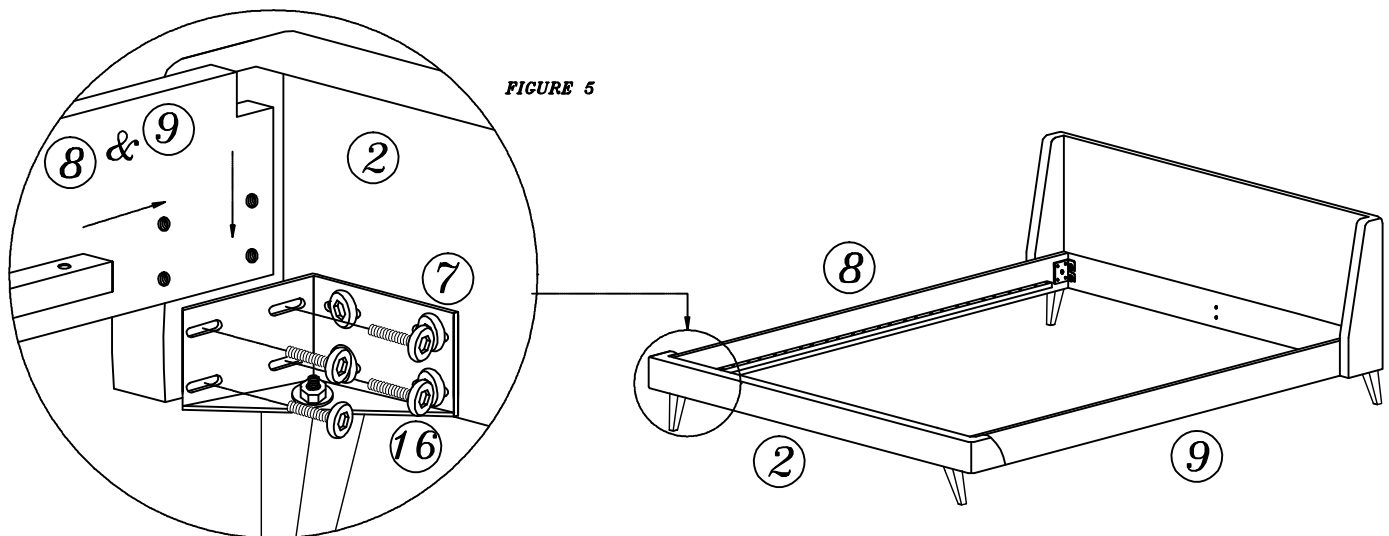
**DO NOT TIGHTEN SCREWS COMPLETE**



### Step 3- Assembly of Footboard Panel.

- Secure metal bracket (7) on footboard panel (2) into side rails (8 & 9) with screw (16).  
Use Allen wrench (19). SEE FIGURE 5

**DO NOT TIGHTEN SCREWS COMPLETE**



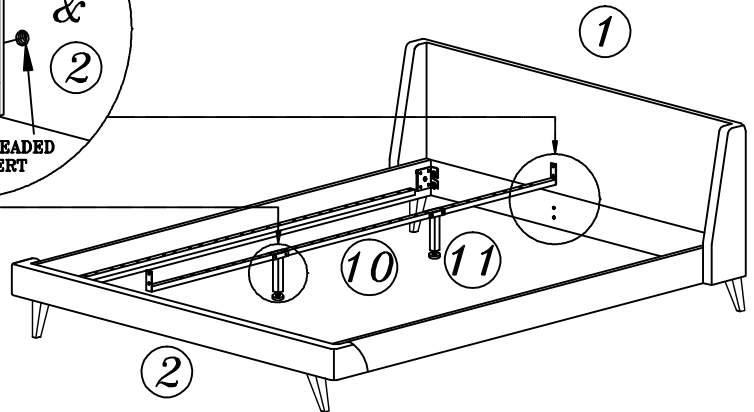
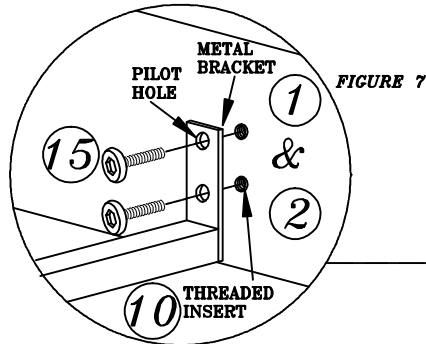
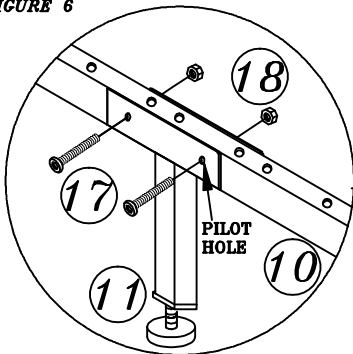
## Instruction Sheet

### Step 4- Assembly of Support Leg and Center Support Rail.

- Align pilot holes on support leg (11) metal bracket with pilot holes on center support rail (10) and secure with screw (17) and hex nut (18). Use Allen to wrench (20). SEE FIGURE 6
- Remove pre-installed screw (15) from headboard panel (1) with Allen wrench (19).
- Align pilot holes on center support rail (10) metal Bracket with threaded inserts on headboard Panel (1) and footboard panel (2). SEE FIGURE 7
- Secure center support rail (10) on footboard panel with screw (15). Tighten screws completely with Allen wrench (20).

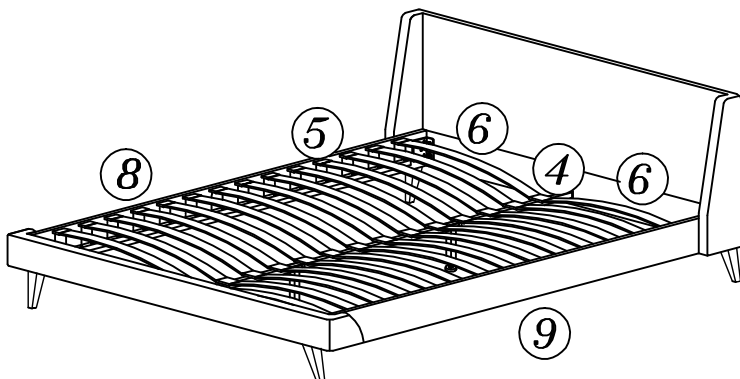
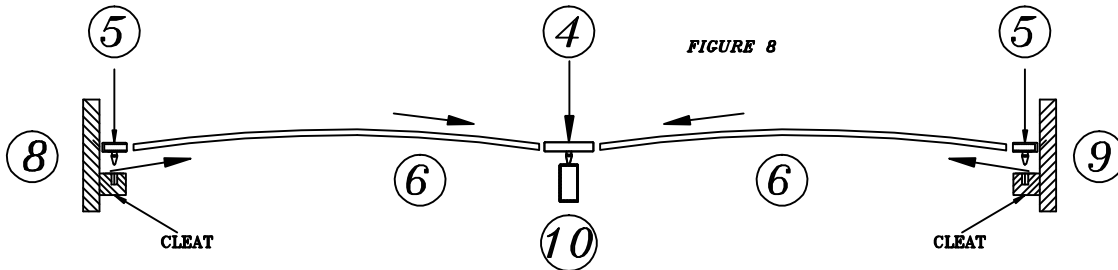
**TIGHTEN SCREWS (15) COMPLETELY FROM STEPS 1-4 AND SCREWS (16) FROM STEP 2 AND 3**

FIGURE 6



### Step 5- Assembly of Wood Slats.

- Insert Double end plastic cap (4) into pilot holes on center support rail (10) by pressing down. SEE FIGURE 8
- Insert wood slat (6) on each side of double end plastic cap (4).
- Insert single end plastic cap (5) on each slat (6). SEE FIGURE 8
- Insert single end plastic cap (5) into pilot holes on cleat of side rails (8 & 9).



**PRODUCT FULLY ASSEMBLED**

