

leggett & platt®

fashion home™

6755 W. 65th Bedford Park, IL 60638

Parts List For Stool # C1X120 / C1X126

Parts List For Stool # C1X130 / C1X136

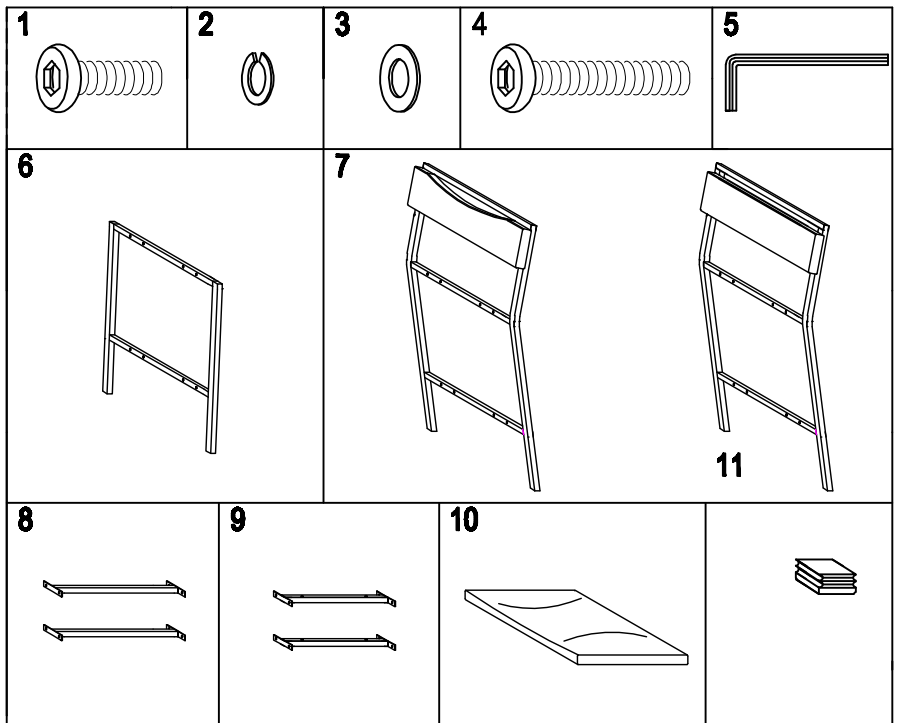
**STOOL CARTON**

- (6) FRONT PANEL-1
- (7) BACK PANEL-1
- (8) BOTTOM RAILS-2
- (9) TOP RAILS-2
- (10) SEAT-1
- (11) SEAT-1

**HARDWARE BAG # 389501**

- (1) 1/4-20 X 3/4" FLAT ALLEN HEAD SCREW-16
- (2) 1/4" ID METAL SPRING WASHER-20
- (3) 1/4" ID X 5/8" OD FLAT METAL WASHER-20
- (4) 1/4-20 X 1 1/4" FLAT ALLEN HAED SCREW-4
- (5) ALLEN WRENCH-1

- (11) PLASTIC GLIDE-4 #389502 (PRE-INSTALLED)

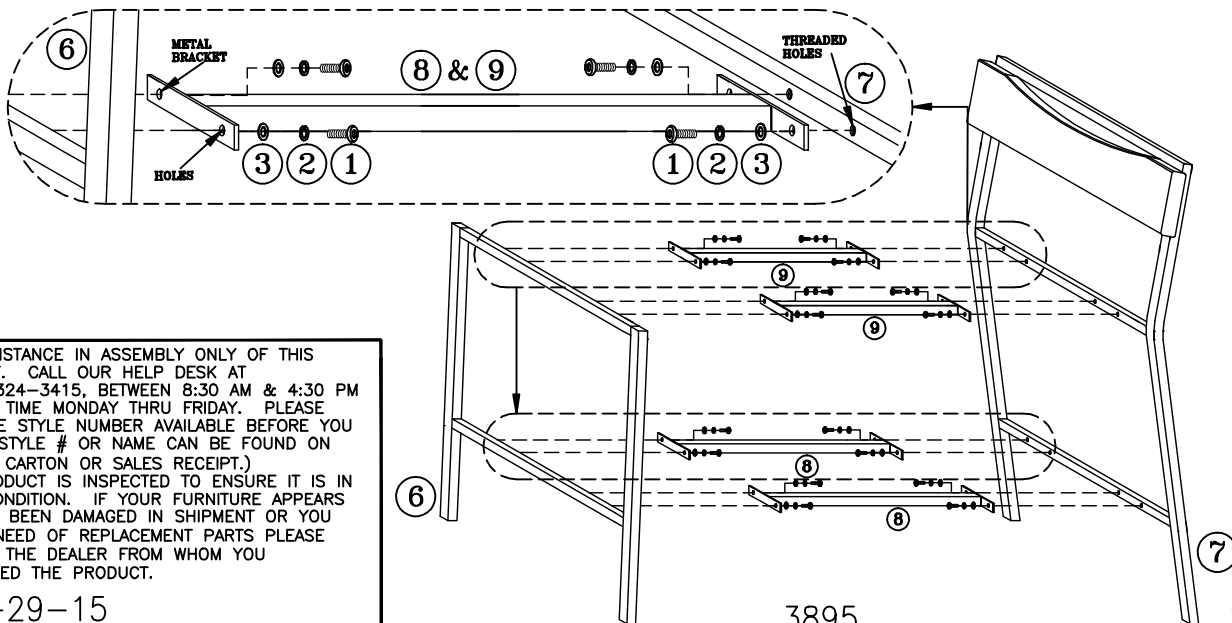


SAVE ALL PACKAGING MATERIALS UNTIL PRODUCT IS FULLY ASSEMBLED. HARDWARE AND SMALL PIECES MAY NOT BE SEEN AND COULD BE ACCIDENTALLY DISCARDED WITH PACKAGING MATERIALS.

**STEP 1- Assembly of Top and Bottom Rails to Front and Back Panel.**

- Align holes on bottom rail (8) metal bracket with threaded holes on front panel (6) and back panel (7) and secure bottom rail (8) with screw (1), spring washer (2) and flat metal washer (3). Tighten screws with Allen wrench (5). SEE FIGURE 1
- Repeat same steps with top rail (9).

**FIGURE 1**

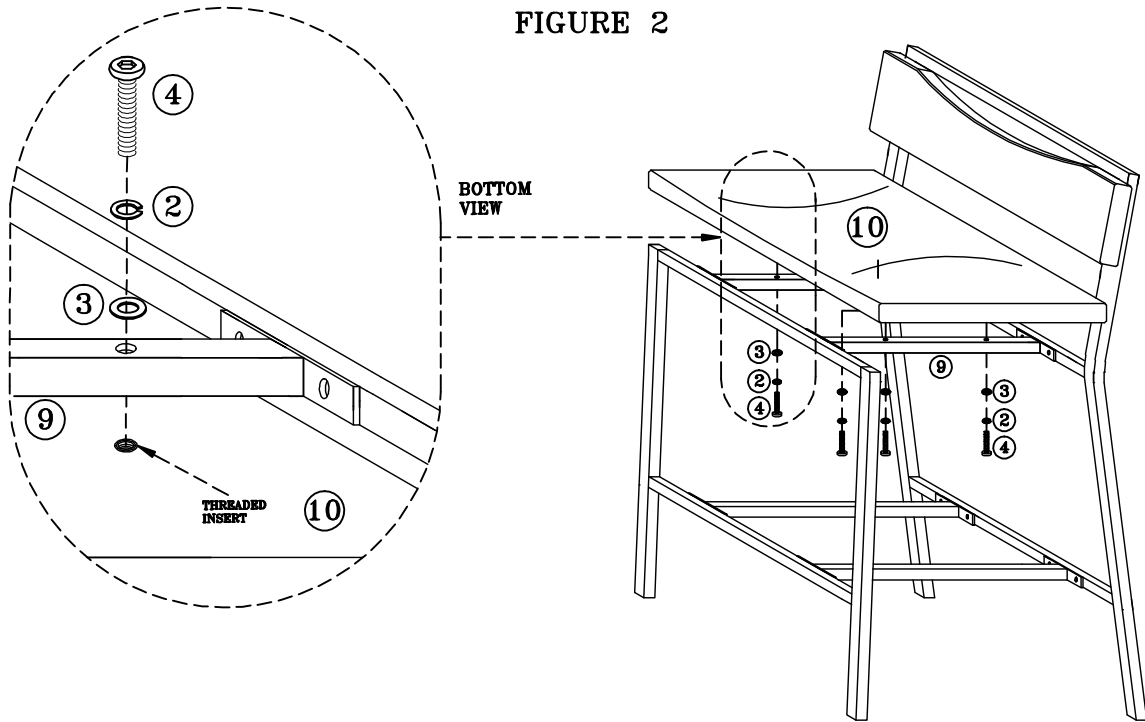


FOR ASSISTANCE IN ASSEMBLY ONLY OF THIS PRODUCT. CALL OUR HELP DESK AT 1-800-324-3415, BETWEEN 8:30 AM & 4:30 PM CENTRAL TIME MONDAY THRU FRIDAY. PLEASE HAVE THE STYLE NUMBER AVAILABLE BEFORE YOU CALL. (STYLE # OR NAME CAN BE FOUND ON PACKING CARTON OR SALES RECEIPT.) OUR PRODUCT IS INSPECTED TO ENSURE IT IS IN GOOD CONDITION. IF YOUR FURNITURE APPEARS TO HAVE BEEN DAMAGED IN SHIPMENT OR YOU ARE IN NEED OF REPLACEMENT PARTS PLEASE CONTACT THE DEALER FROM WHOM YOU PURCHASED THE PRODUCT.

# Instruction Sheet

## STEP 2- Assembly of Seat.

- Align holes on top rail (9) with threaded inserts on seat (10) and secure seat (10) with screw (4), spring washer (2) and flat metal washer (3). Tighten screws with Allen wrench (5). SEE FIGURE 2



## PRODUCT FULLY ASSEMBLED

