

leggett & platt®

fashion bed™

6755 W. 65th Street Bedford Park, IL 60638

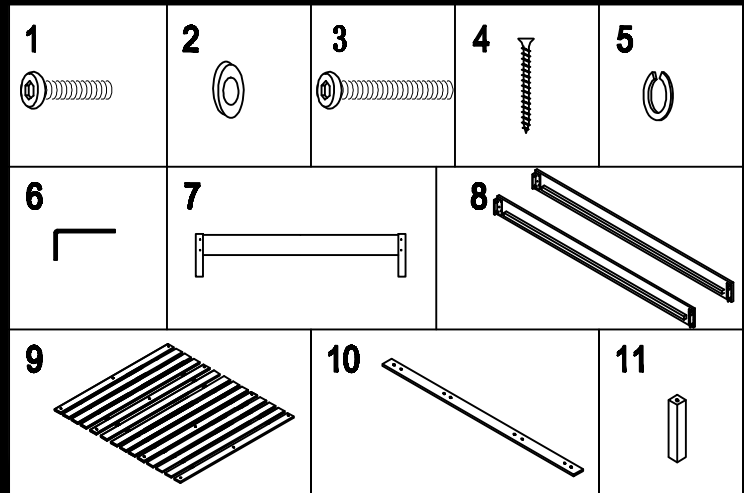
Part List For Murray Platform

PARTS ENCLOSE:

- (7) PANEL-2
- (8) SIDE RAILS-2
- (9) SLAT SYSTEM-1
- (10) CENTER SUPPORT RAIL-1
- (11) SUPPORT LEG-4

PART #371701 HARDWARE BAG FOR BED

- (1) 6MM X 20MM ALLEN HEAD SCREW-8
- (2) 18MM OD FLAT METAL WASHER-16
- (3) 6MM X 35MM ALLEN HEAD SCREW-8
- (4) 32MM FLAT PHILLIPS COUNTERSUNK HEAD WOOD SCREW-8
- (5) 8MM ID METAL LOCK WASHER-8
- (6) 4 MM ALLEN WRENCH-1



IMPORTANT NOTES

- **THIS BED REQUIRES TWO PEOPLE TO ASSEMBLE.**
- **READ CAREFULLY BEFORE ASSEMBLY TO PREVENT DAMAGE TO PARTS.**
- **FOLLOW INSTRUCTIONS AS NUMBERED TO ASSURE CORRECT ASSEMBLY.**

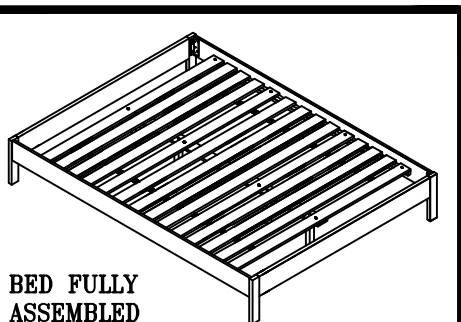
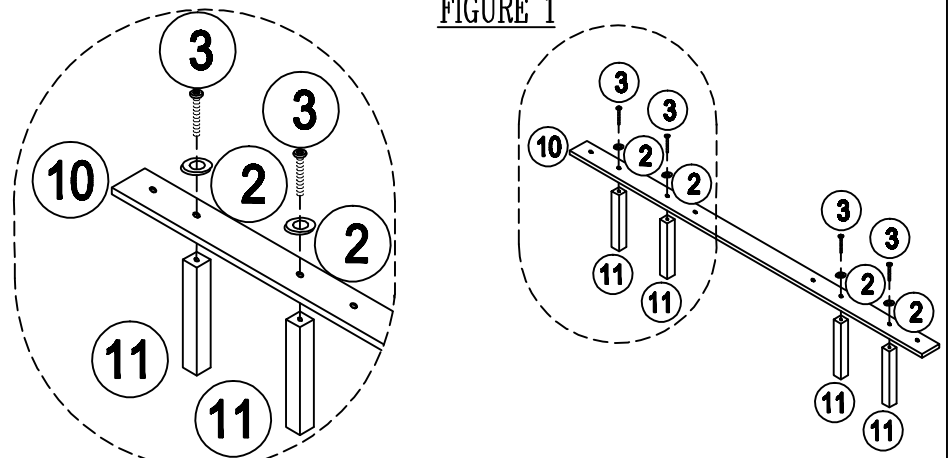
Step 1 ● Align support legs (11) with holes on center rail (10) and secure with screws (3) and metal washer (2). (SEE FIGURE 1). Tighten screws (3) with Allen wrench (6).

Step 2 ● Place center rail (10) under slat system (9). (SEE FIGURE 2)
 ● Align holes on center support rail (10) with holes on slat system (9).
 ● Use screws (3) and metal washer (2) to secure each location. Tighten all screws with Allen wrench (6).

Step 3 ● Place panel (7) and side rails (8) in desire location in the room.
 ● Secure side rails (8) to headboard posts with screw (1), metal washer (2) and lock washer (5) make sure the cleat on side rail (8) are on the lower side. (SEE FIGURE 3)
 ● Do the same step with the other panel (7) attachment. DO NOT TIGHTEN SCREWS COMPLETELY.

Step 4 ● Place and centered slat system (9) between side rails (8). (SEE FIGURE 4)
 ● Secure both ends of slat system (9) to the side rails (8) with screw (4). (SEE FIGURE 5)
 ● Tighten all screws (1) with Allen wrench (6) (SEE FIGURE 3)

FIGURE 1



BED FULLY ASSEMBLED

Instruction Sheet

SAVE ALL PACKAGING MATERIALS UNTIL PRODUCT IS FULLY ASSEMBLED. HARDWARE AND SMALL MAY NOT BE SEEN AND COULD BE ACCIDENTALLY DISCARDED WITH PACKAGING MATERIALS.

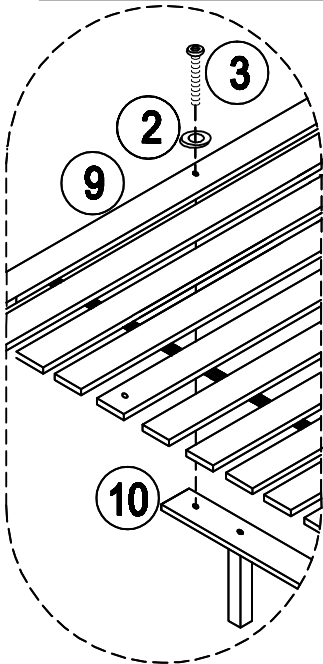
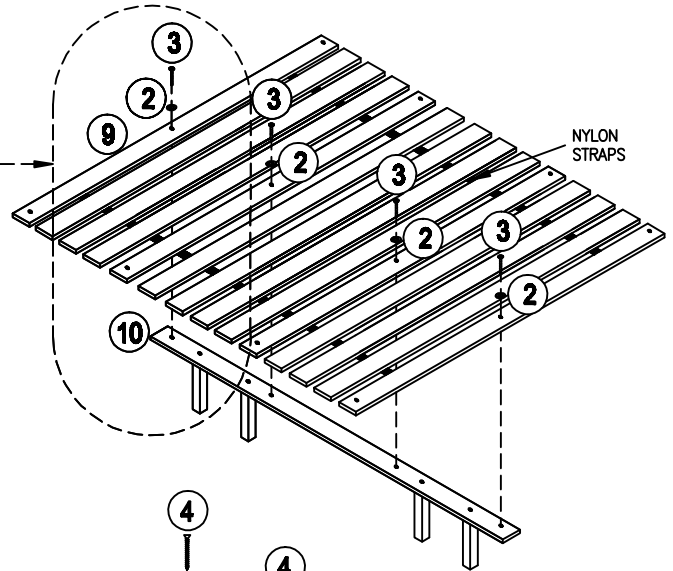


FIGURE 2



NYLON STRAPS

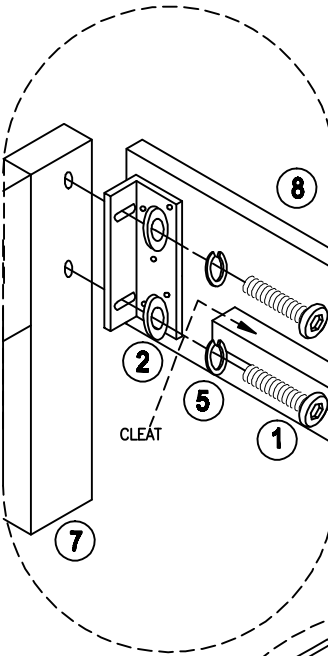


FIGURE 3

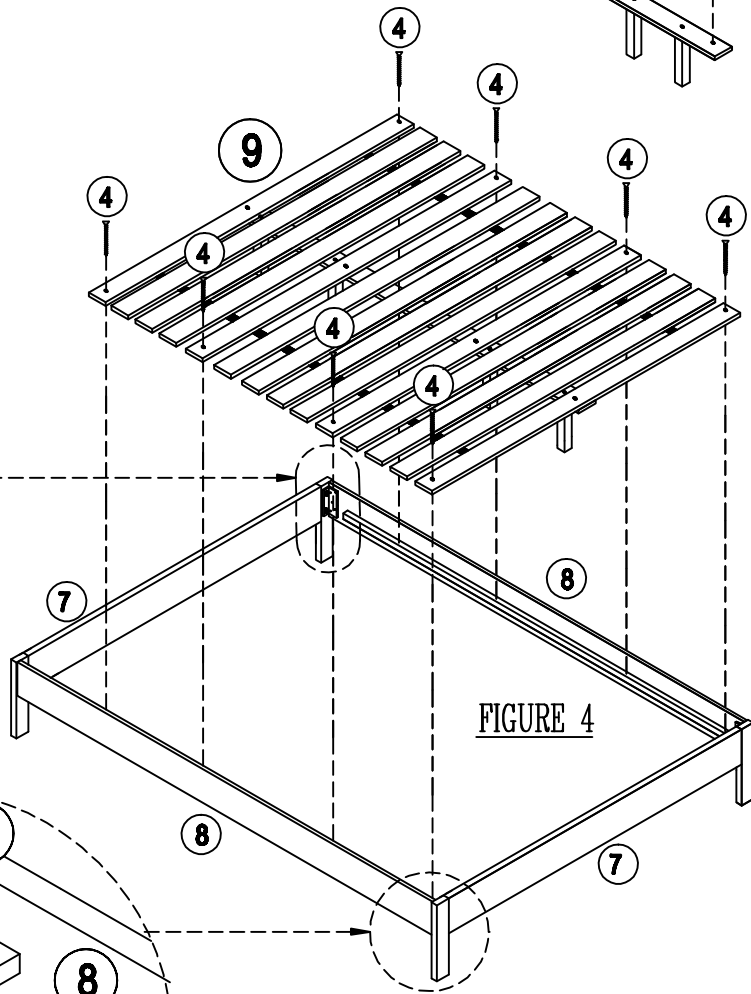


FIGURE 4

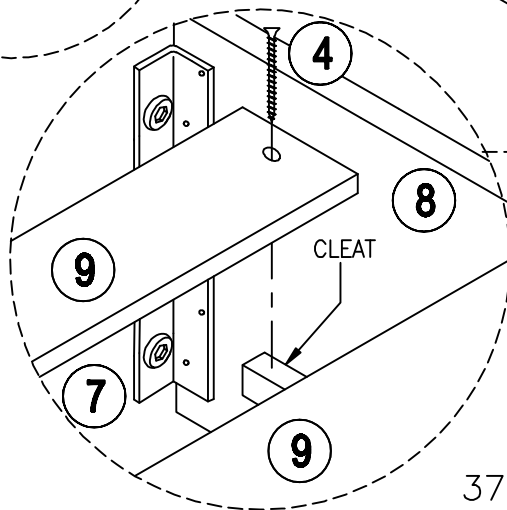


FIGURE 5

FOR ASSISTANCE IN ASSEMBLY ONLY OF THIS PRODUCT, CALL OUR HELP DESK AT 1-800-324-3415, BETWEEN 8:30 AM & 4:30 PM CENTRAL TIME MONDAY THROUGH FRIDAY. PLEASE HAVE THE STYLE NUMBER AVAILABLE BEFORE YOU CALL. (STYLE # OR NAME CAN BE FOUND ON PACKING CARTON OR SALES RECEIPT.) OUR PRODUCT IS INSPECTED TO ENSURE IT IS IN GOOD CONDITION. IF YOUR FURNITURE APPEARS TO HAVE BEEN DAMAGED IN SHIPMENT OR YOU ARE IN NEED OF REPLACEMENT PARTS PLEASE CONTACT THE DEALER FROM WHOM YOU PURCHASED THE PRODUCT.