

# leggett & platt® fashion bed™

6755 W. 65th Street Bedford Park, IL 60638

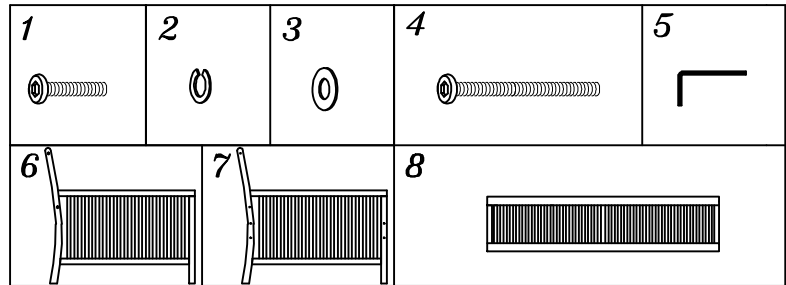
## Parts List Mission Daybed

### PART #381202 HARDWARE BAG FOR DAYBED

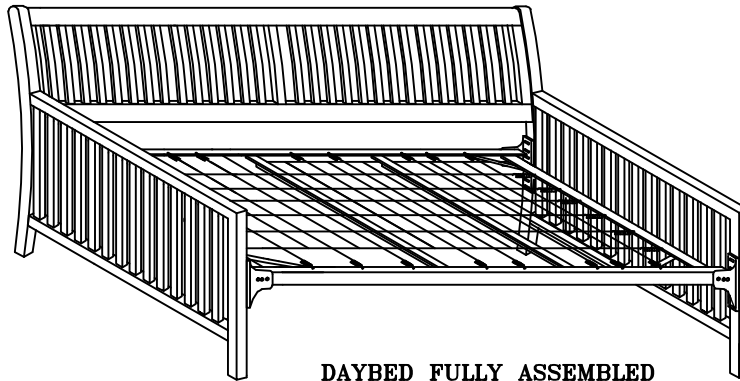
- (1) 1/4-20 X 1" FLAT ALLEN HEAD SCREW-8
- (2) 1/4" ID SPRING WASHER- 8
- (3) 1/4" X 5/8" OD FLAT METAL WASHER- 8
- (4) 1/4"-20 X 2 1/2" FLAT ALLEN HEAD SCREW-4
- (5) ALLEN WRENCH-1

### DAYBED PARTS:

- (6) RIGHT SIDE-1
- (7) LEFT SIDE-1
- (8) BACK PANEL-1



SAVE ALL PACKAGING MATERIALS UNTIL PRODUCT IS FULLY ASSEMBLED. HARDWARE AND SMALL PIECES MAY NOT BE SEEN AND COULD BE ACCIDENTALLY DISCARDED WITH PACKAGING MATERIALS.



DAYBED FULLY ASSEMBLED

**Instruction Sheet** • For ease of assembly you will need a helper.  
• Periodically retighten all screws.

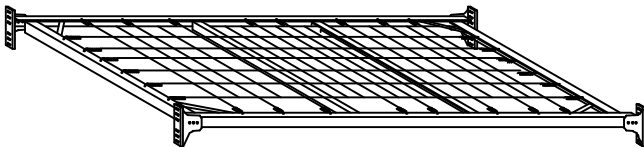
### STEP 1- Locate hardware bag for Daybed & Link Spring Assembly.

- Hardware bag for daybed assembly is located inside the daybed box.
- Link spring – follow manufacturer instructions to assembly end brackets to link spring before attaching to daybed

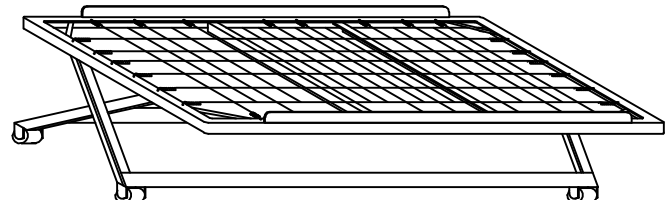
#### OPTIONAL

"LINK SPRING SOLD SEPARATELY"

"TRUNDLE UNIT SOLD SEPARATELY"



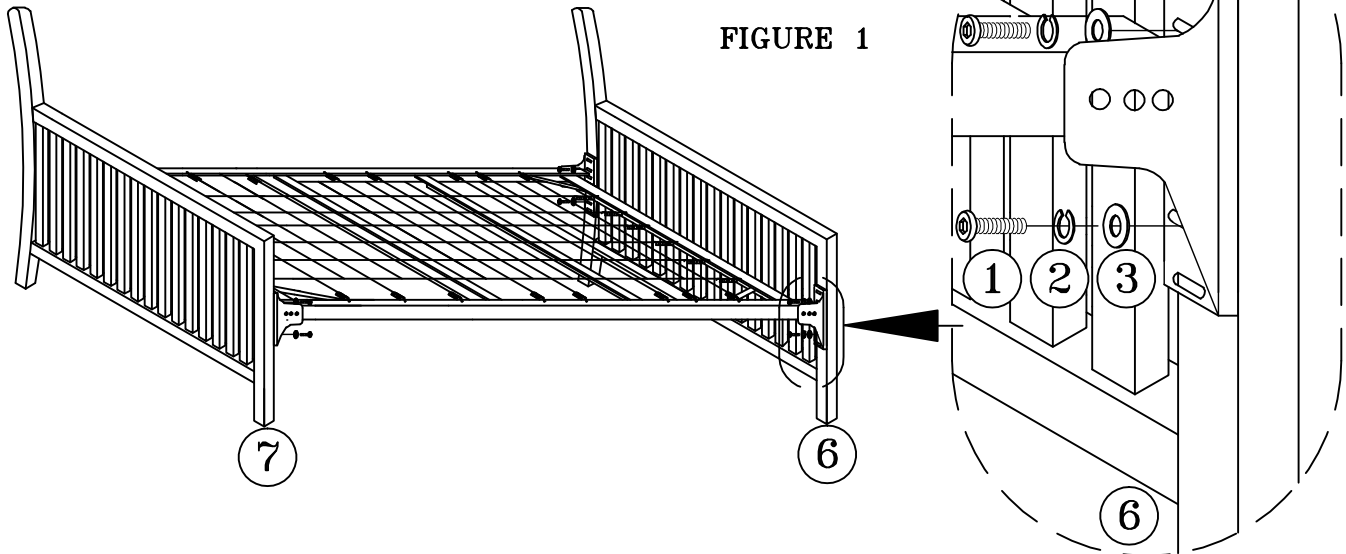
LINK SPRING FULLY ASSEMBLED



## Instruction Sheet

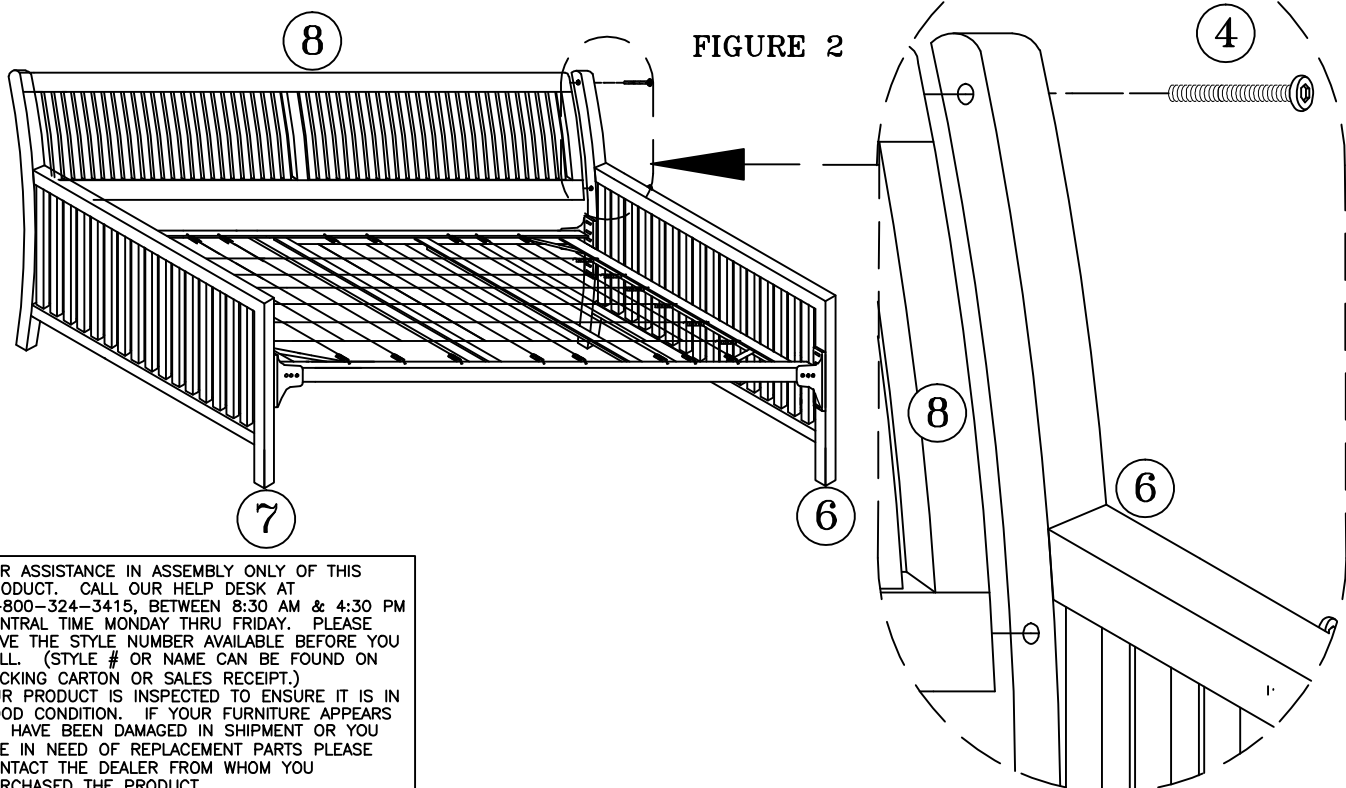
### STEP 2- Attachment of Link spring to Daybed Side Panels.

- Align holes on link spring brackets with threaded holes on side panel (6 & 7) post. SEE FIGURE 1
- Secure link spring with screw (1), spring washer (2) and flat metal washer (3).
- Use Allen wrench (5). DO NOT TIGHT SCREWS COMPLETELY.



### STEP 3- Attachment of back Panel to Daybed Side Panels.

- Align threaded holes on back panel (8) with holes on side panels (6 & 7) post. SEE FIGURE 2
- Secure back panel (8) with screw (4).
- Tighten screw (4) with Allen wrench (5).
- Now Tighten screws (1) completely. SEE FIGURE 1



FOR ASSISTANCE IN ASSEMBLY ONLY OF THIS PRODUCT. CALL OUR HELP DESK AT 1-800-324-3415, BETWEEN 8:30 AM & 4:30 PM CENTRAL TIME MONDAY THRU FRIDAY. PLEASE HAVE THE STYLE NUMBER AVAILABLE BEFORE YOU CALL. (STYLE # OR NAME CAN BE FOUND ON PACKING CARTON OR SALES RECEIPT.) OUR PRODUCT IS INSPECTED TO ENSURE IT IS IN GOOD CONDITION. IF YOUR FURNITURE APPEARS TO HAVE BEEN DAMAGED IN SHIPMENT OR YOU ARE IN NEED OF REPLACEMENT PARTS PLEASE CONTACT THE DEALER FROM WHOM YOU PURCHASED THE PRODUCT.

06-20-14

381201

2 OF 2