

leggett & platt®

fashion home™

6755 W. 65th Street Bedford Park, IL 60638

Parts List For Stool # C1M060

Parts List For Stool # C1M066

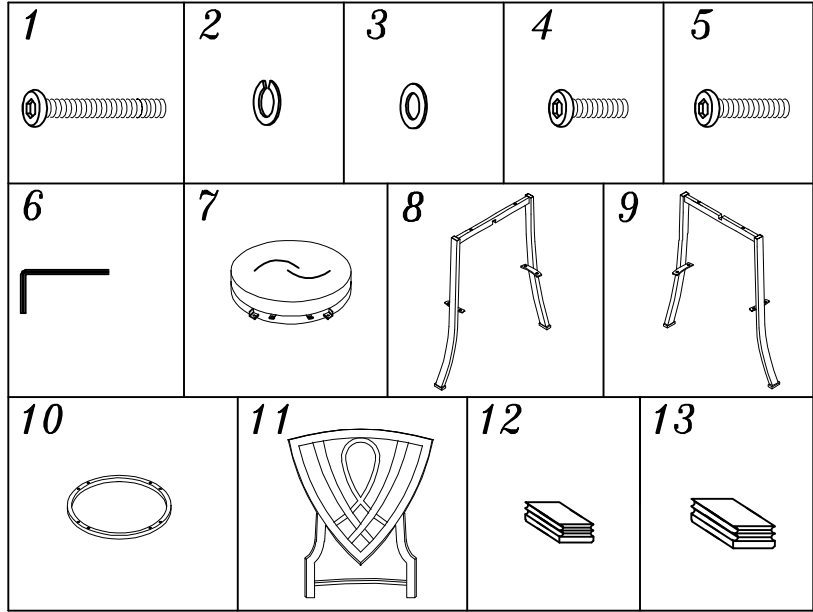
STOOL CARTON

- (7) SEAT-1
- (8) BOTTOM LEG PANEL-1
- (9) TOP LEG PANEL-1
- (10) FOOT REST METAL RING-1
- (11) BACK PANEL-1

PART #390102 HARDWARE BAG

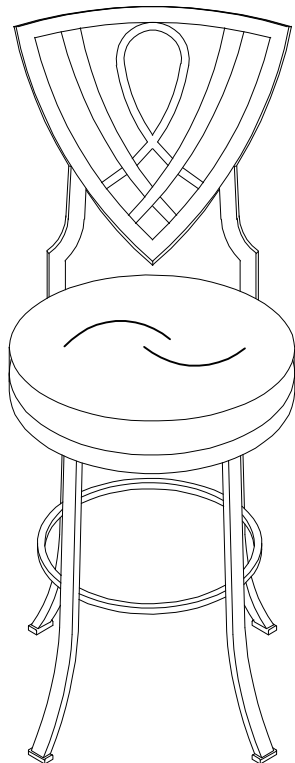
- (1) 1/4-20 X 1 1/2" FLAT ALLEN HEAD SCREW-4
- (2) 1/4" ID METAL SPRING WASHER-16
- (3) 1/4" ID X 1/2" OD FLAT METAL WASHER-16
- (4) 1/4-20 X 5/8" FLAT ALLEN HEAD SCREW-10
- (5) 1/4-20 X 1" FLAT ALLEN HEAD SCREW-2
- (6) ALLEN WRENCH-1

- (12) TOP PLASTIC GLIDE -4 #390103 (PRE-INSTALLED)
- (13) BOTTOM PLASTIC GLIDE-4 #389702 (PRE-INSTALLED)



SAVE ALL PACKAGING MATERIALS UNTIL PRODUCT IS FULLY ASSEMBLED. HARDWARE AND SMALL PIECES MAY NOT BE SEEN AND COULD BE ACCIDENTALLY DISCARDED WITH PACKAGING MATERIALS.

PRODUCT FULLY ASSEMBLED



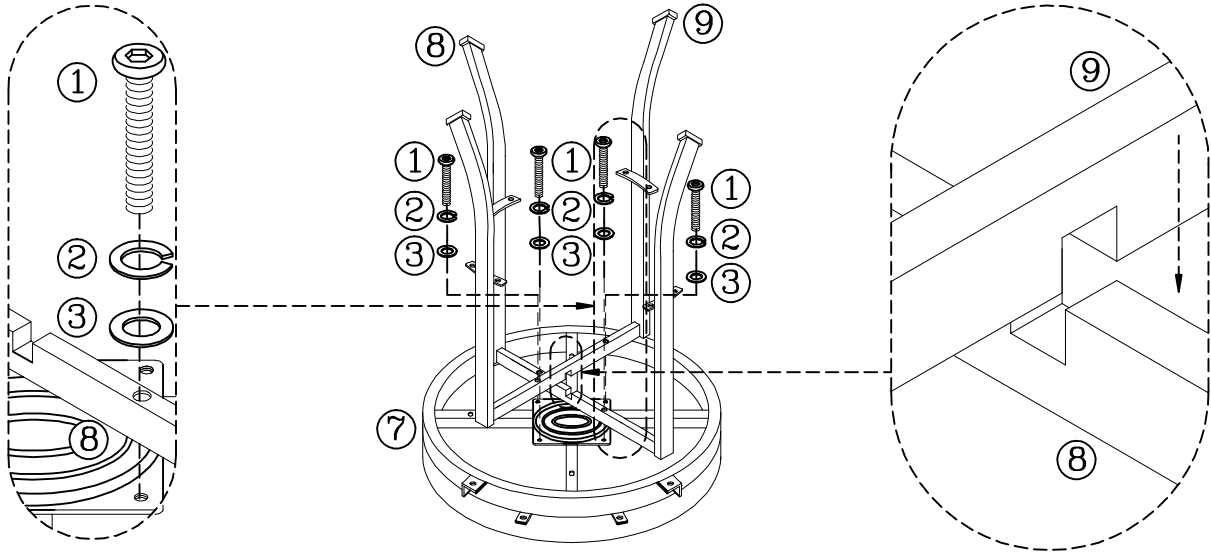
FOR ASSISTANCE IN ASSEMBLY ONLY OF THIS PRODUCT, CALL OUR HELP DESK AT 1-800-324-3415, BETWEEN 8:30 AM & 4:30 PM CENTRAL TIME MONDAY THROUGH FRIDAY. PLEASE HAVE THE STYLE NUMBER AVAILABLE BEFORE YOU CALL. (STYLE # OR NAME CAN BE FOUND ON PACKING CARTON OR SALES RECEIPT.) OUR PRODUCT IS INSPECTED TO ENSURE IT IS IN GOOD CONDITION. IF YOUR FURNITURE APPEARS TO HAVE BEEN DAMAGED IN SHIPMENT OR YOU ARE IN NEED OF REPLACEMENT PARTS PLEASE CONTACT THE DEALER FROM WHOM YOU PURCHASED THE PRODUCT.

Instruction Sheet

Step 1- Assembly of Legs Panels to Seat .

- Align holes on bottom leg panel (8) with threaded holes on swivel plate. SEE FIGURE 1
- Secure bottom leg panel (8) with screw (1),spring washer (2) and flat metal washer (3). Use Allen wrench (6)
- Place top leg panel (9) over bottom leg panel (8) and secure with screw (1),spring washer (2) and flat metal washer (3). DO NOT TIGHTEN SCREWS COMPLETELY

FIGURE 1



Step 2- Assembly of Foot Rest Metal Ring.

- Place bar stool legs on flat surface. SEE FIGURE 2
- Place foot rest metal ring (10) between legs panels (8 & 9), align threaded holes on foot rest metal ring (10) with holes on legs metal bracket. Secure foot rest metal ring (10) into legs panel (8 & 9) with screw (4),spring washer (2) and flat metal washer (3). Tighten screws with Allen wrench (6). SEE FIGURE 2
- NOW TIGHTEN SCREWS (1) COMPLETELY FROM STEP 1 (FIGURE 1)

Step 3- Assembly of Back Panel to Seat.

- Insert post of back panel (11) into metal bracket on seat (7). SEE FIGURE 3
- Secure back panel (11) to seat bracket with screw (5),spring washer (2) and flat metal washer (3). Tighten screws with Allen wrench (6).
- Secure bottom rail on back panel (11) with screw (4),spring washer (2) and flat metal washer (3). SEE FIGURE 3

FIGURE 2

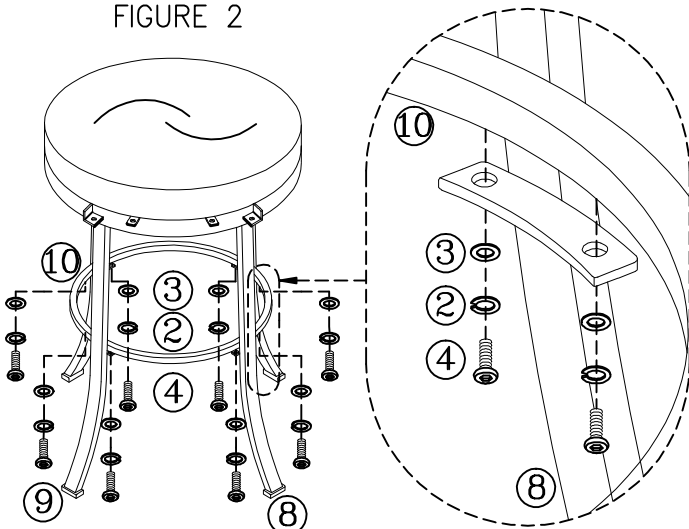


FIGURE 3

