

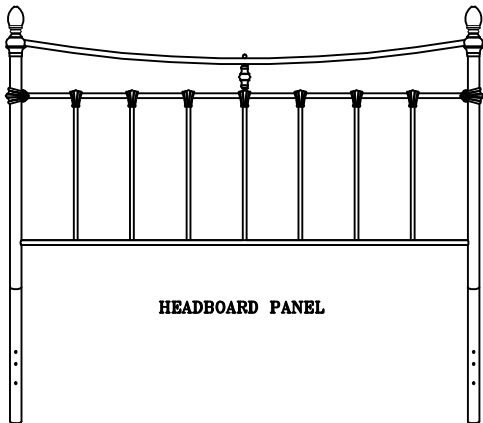
Fashion Bed Group

A Division of Leggett & Platt Incorporated
5950 West 51st Street - Chicago, IL 60638

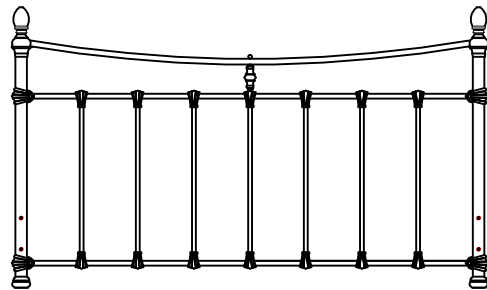
Parts List For Leighton Bed

BED CARTON	HEADBOARD CARTON				
<p>(8) HEADBOARD PANEL (9) FOOTBOARD PANEL PART #364001 HARDWARE BAG FOR BED ATTACHMENT TO FRAME</p> <p>(1) 1/4-20 X 2 1/4" COUNTERSUNK ALLEN HEAD SCREW-4 (2) 1/4-20 X 1" FLAT ALLEN HEAD SCREW-4 (3) 1/4-20 HEX NUT-4 (4) 1/4" ID X5/8" OD FLAT METAL WASHER-8 (5) 1/4" ID LOCK WASHER-8 (6) ALLEN WRENCH (10) PLASTIC GLIDE-4 #150950000</p> <p>(7) LEG EXTENSION-2 #376201 (11) FINIAL-4 #376202</p> <p>NOTE: PLASTIC GLIDES COME PRE-INSERTED</p>	<p>(8) HEADBOARD PANEL PART #364002 HARDWARE BAG FOR HEADBOARD ATTACHMENT TO FRAME</p> <p>(1) 1/4-20 X 2 1/4" COUNTERSUNK ALLEN HEAD SCREW-4 (3) 1/4-20 HEX NUT-4 (4) 1/4" ID X5/8" OD FLAT METAL WASHER-4 (5) 1/4" ID LOCK WASHER-4 (6) ALLEN WRENCH (10) PLASTIC GLIDE-2 #150950000</p> <p>(7) LEG EXTENSION-2 #376201 (11) FINIAL-2 #376202</p> <p>NOTE: PLASTIC GLIDES COME PRE-INSERTED</p>	1	2	3	4
		5	6	7	8
		9	10	11	

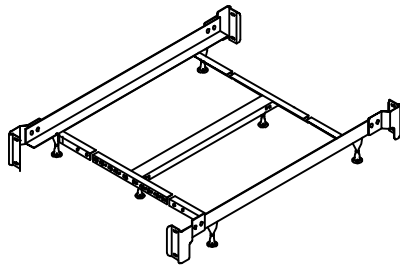
PRODUCT FULLY ASSEMBLED



HEADBOARD PANEL

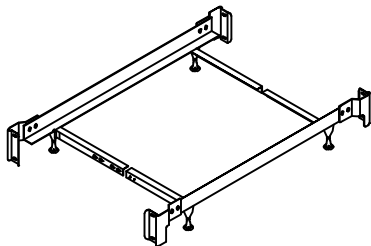


FOOTBOARD PANEL



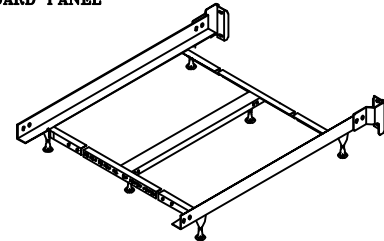
QUEEN - KING BED FRAME FULLY ASSEMBLED

NOTE: SEE INSTRUCTIONS INCLUDED IN FRAME CARTON FOR FRAME ASSEMBLY



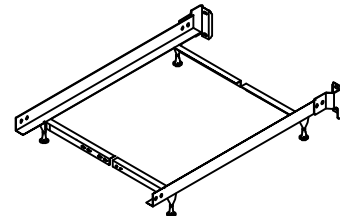
TWIN - FULL BED FRAME FULLY ASSEMBLED

NOTE: SEE INSTRUCTIONS INCLUDED IN FRAME CARTON FOR FRAME ASSEMBLY



QUEEN - KING HEADBOARD ONLY FRAME FULLY ASSEMBLED

NOTE: SEE INSTRUCTIONS INCLUDED IN FRAME CARTON FOR FRAME ASSEMBLY



TWIN - FULL HEADBOARD ONLY FRAME FULLY ASSEMBLED

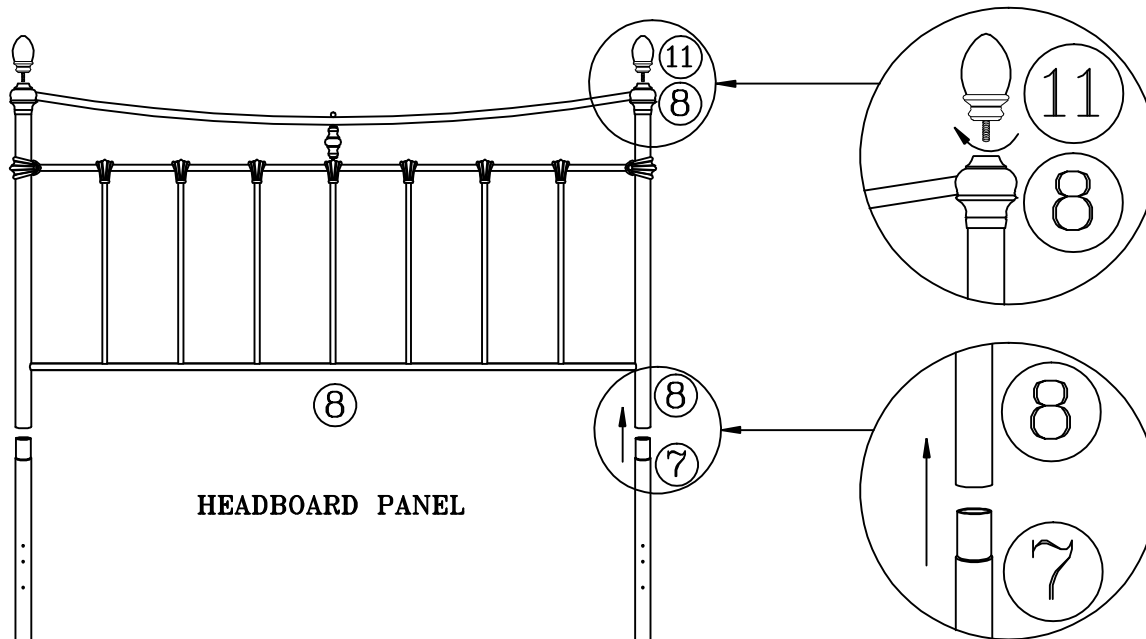
NOTE: SEE INSTRUCTIONS INCLUDED IN FRAME CARTON

FOR ASSISTANCE IN ASSEMBLY ONLY OF THIS PRODUCT. CALL OUR HELP DESK AT 1-800-324-3415, BETWEEN 8:30 AM & 4:30 PM CENTRAL TIME MONDAY THRU FRIDAY. PLEASE HAVE THE STYLE NUMBER AVAILABLE BEFORE YOU CALL. (STYLE # OR NAME CAN BE FOUND ON PACKING CARTON OR SALES RECEIPT.) OUR PRODUCT IS INSPECTED TO ENSURE IT IS IN GOOD CONDITION. IF YOUR FURNITURE APPEARS TO HAVE BEEN DAMAGED IN SHIPMENT OR YOU ARE IN NEED OF REPLACEMENT PARTS PLEASE CONTACT THE DEALER FROM WHOM YOU PURCHASED THE PRODUCT.

Instruction Sheet

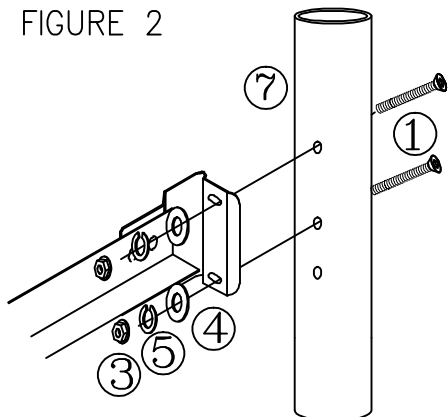
SAVE ALL PACKAGING MATERIALS UNTIL PRODUCT IS FULLY ASSEMBLED. HARDWARE AND SMALL PIECES MAY NOT BE SEEN AND CAN BE ACCIDENTALLY DISCARDED WITH PACKAGING MATERIALS.

FIGURE 1



HEADBOARD PANEL

FIGURE 2



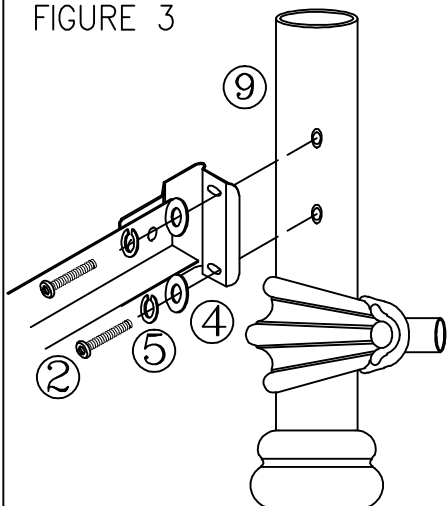
Step 1

- Align top reduction of extension legs (7) with bottom of headboard posts (8). (See Figure 1) Make sure the 3 holes on extension legs are perpendicular to headboard panel.
- Now carefully insert extension legs (7) into bottom of headboard (8) posts.
- Screw in finials (11) onto top of headboard and footboard posts. See Figure 1

Step 2

- Place headboard and frame in desired location in room.
- Place 2 screws (1) through holes located in leg (7). (See Figure 2)
- Align bed frame bracket over screws.
- Place a flat washer (4) first, lock washer (5) and then a nut (3) on each screw. Hand-tighten, DO NOT TIGHTEN screws all the way.
- Repeat on other side of headboard.
- Tighten all screws securely using the Allen wrench.

FIGURE 3



Step 3

- Position footboard (9) panel and align holes in the post with holes in the frame bracket. (See figure 3)
- Place lock washer (5) and flat washer (4) on each screw (2). Insert through bracket and into post. Hand-tighten, DO NOT TIGHTEN screws all the way.
- Repeat on other side of footboard panel.
- Tighten all screws securely using the Allen wrench.