

Fashion Bed Group

A Division of Leggett & Platt Incorporated
5950 West 51st Street - Chicago, IL 60638

Part List For Legion Bed

HEADBOARD CARTON

- (7) GRILL-1
- (8) HEADBOARD RIGHT POST-1
- (9) HEADBOARD LEFT POST-1

PART #363501 HARDWARE BAG FOR HEADBOARD ASSEMBLY

- (1) 1/4-20 X 2 1/2" COUNTERSUNK ALLEN HEAD SCREW-4
- (2) 1/4-20 X 1 1/4" COUNTERSUNK ALLEN HEAD SCREW-2
- (3) 1/4-20 X 3/4" FLAT ALLEN SCREW-2
- (4) 1/4-20 HEX NUT-4
- (5) 1/4" ID X 5/8" OD FLAT WASHER-4
- (6) ALLEN WRENCH-1

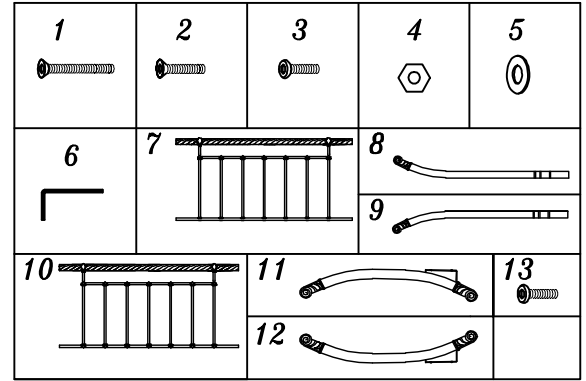
1 3/4" DIA. PLASTIC GLIDE -2 #160980000
NOTE: PLASTIC GLIDES COME PRE-INSERTED

FOOTBOARD CARTON

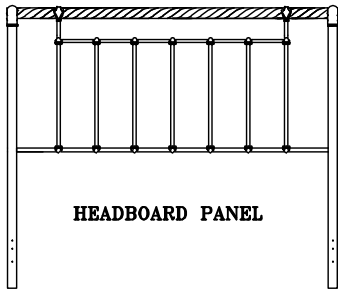
- (10) GRILL-1
- (11) FOOTBOARD RIGHT POST-1
- (12) FOOTBOARD LEFT POST-1

PART #363502 HARDWARE BAG FOR FOOTBOARD ASSEMBLY

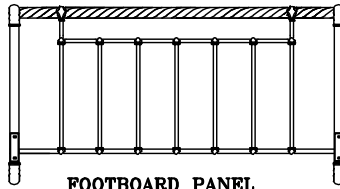
- (2) 1/4-20 X 1 1/4" COUNTERSUNK ALLEN HEAD SCREW-2
- (3) 1/4-20 X 3/4" FLAT ALLEN SCREW-2
- (4) 1/4-20 HEX NUTS-4
- (5) 1/4" ID X 5/8" OD FLAT WASHER-8
- (6) ALLEN WRENCH-1
- (13) 1/4-20 X 1" FLAT ALLEN HEAD SCREW-4



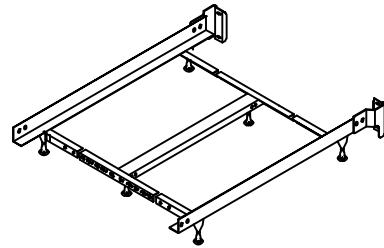
PRODUCT FULLY ASSEMBLED



HEADBOARD PANEL

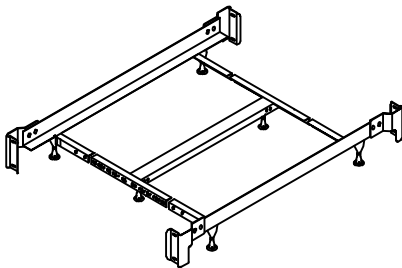


FOOTBOARD PANEL



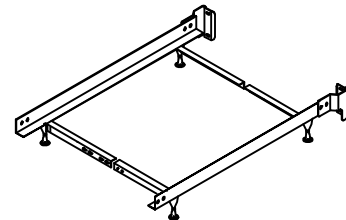
QUEEN - KING HEADBOARD ONLY FRAME FULLY ASSEMBLED FRAMES

NOTE: SEE INSTRUCTIONS INCLUDED IN FRAME CARTON FOR FRAME ASSEMBLY



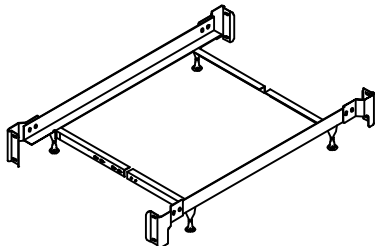
QUEEN - KING BED FRAME FULLY ASSEMBLED

NOTE: SEE INSTRUCTIONS INCLUDED IN FRAME CARTON FOR FRAME ASSEMBLY



TWIN - FULL HEADBOARD ONLY FRAME FULLY ASSEMBLED

NOTE: SEE INSTRUCTIONS INCLUDED IN FRAME CARTON FOR FRAME ASSEMBLY



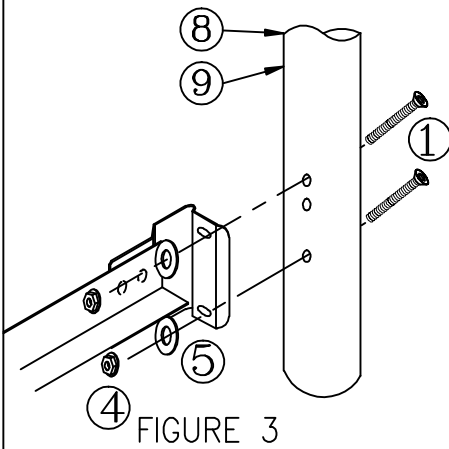
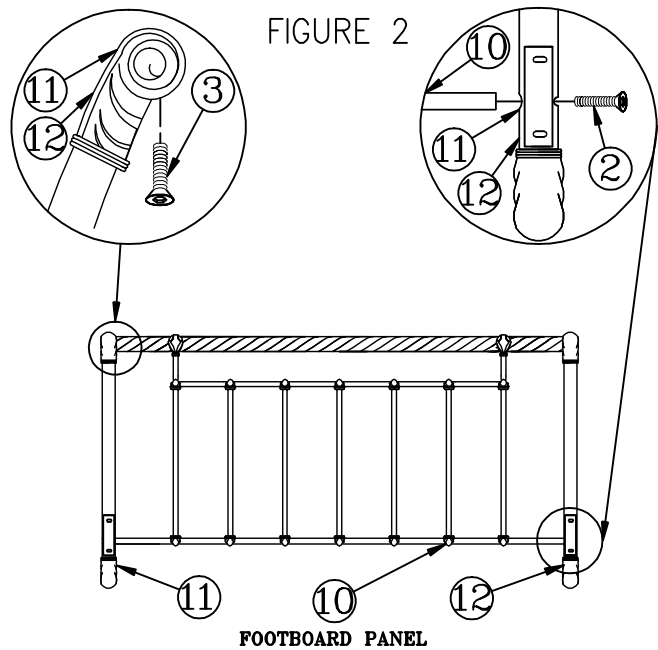
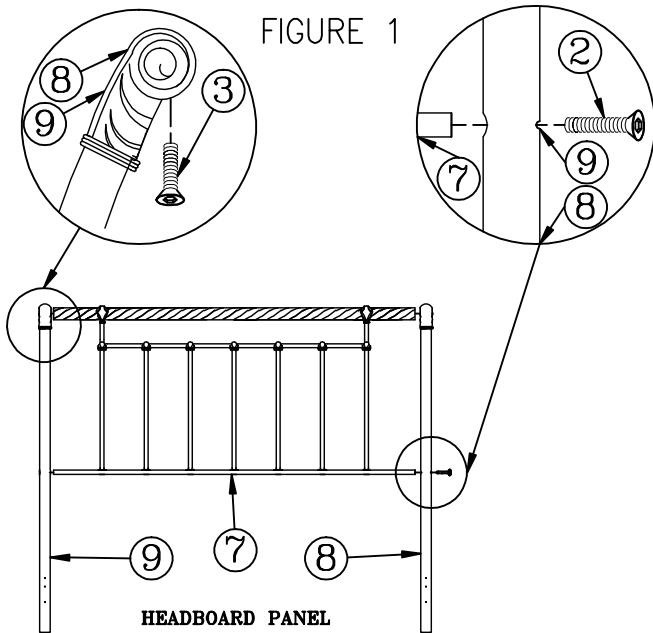
TWIN - FULL BED FRAME FULLY ASSEMBLED

NOTE: SEE INSTRUCTIONS INCLUDED IN FRAME CARTON FOR FRAME ASSEMBLY

FOR ASSISTANCE IN ASSEMBLY ONLY OF THIS PRODUCT. CALL OUR HELP DESK AT 1-800-324-3415, BETWEEN 8:30 AM & 4:30 PM CENTRAL TIME MONDAY THRU FRIDAY. PLEASE HAVE THE STYLE NUMBER AVAILABLE BEFORE YOU CALL. (STYLE # OR NAME CAN BE FOUND ON PACKING CARTON OR SALES RECEIPT.) OUR PRODUCT IS INSPECTED TO ENSURE IT IS IN GOOD CONDITION. IF YOUR FURNITURE APPEARS TO HAVE BEEN DAMAGED IN SHIPMENT OR YOU ARE IN NEED OF REPLACEMENT PARTS PLEASE CONTACT THE DEALER FROM WHOM YOU PURCHASED THE PRODUCT.

Instruction Sheet

SAVE ALL PACKAGING MATERIALS UNTIL PRODUCT IS FULLY ASSEMBLED. HARDWARE AND SMALL PIECES MAY NOT BE SEEN AND BE ACCIDENTALLY DISCARDED WITH PACKAGING MATERIALS.



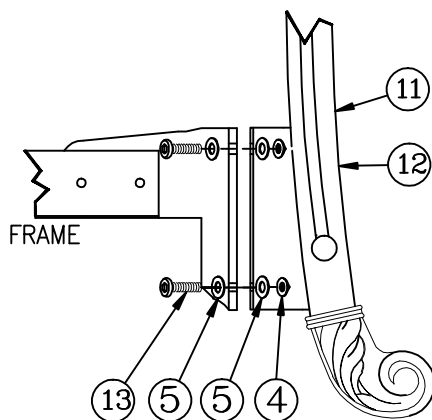
Step 1

- Align grill (7) rail ends with holes in headboard post (8). SEE FIGURE 1
- Secure post (8) to grill (7) with screws (2 & 3). SEE FIGURE 1
- Use screw (2) for bottom rail and screw (3) for top rails attachment.
- Repeat on other side of headboard panel.
- Tighten all screws securely using the Allen wrench (6).
- Repeat the same step for the footboard assembly. SEE FIGURE 2

Step 2

- Place headboard and frame in desired location in room.
- Place 2 screws (1) through holes located in post (9). SEE FIGURE 3
- Align bed frame bracket over screws.
- Place a flat washer (5) and a hex nut (4) on each screw. Hand-tighten, DO NOT TIGHTEN screws all the way.
- Repeat on other side of headboard.
- Tighten all screws securely using the Allen wrench (6).

FIGURE 4



Step 3

- Position footboard panel and align holes in the post bracket (11) with holes in the frame bracket. SEE FIGURE 4
- Place flat washer (5) on each screw (13) Insert through frame bracket into post bracket.
- Place a flat washer (5) and a hex nut (4) on each screw. Hand-tighten, DO NOT TIGHTEN screws all the way.
- Repeat on other side of footboard panel.
- Tighten all screws securely using the Allen wrench (6).