

# leggett & platt® fashion home™

6755 W. 65th Bedford Park, IL 60638

Parts List For Stool # C1M090

Parts List For Stool # C1M096

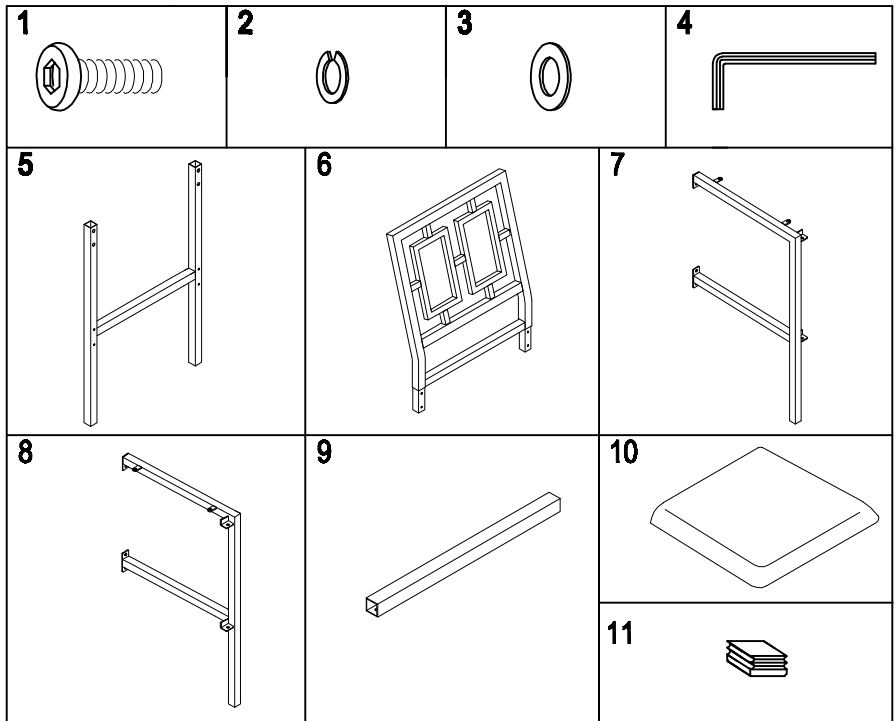
## STOOL CARTON

- (5) BOTTOM PANEL-1
- (6) BACK PANEL-1
- (7) LEFT SIDE PANEL-1
- (8) RIGHT SIDE PANEL-1
- (9) FRONT RAILS-2
- (10) SEAT-1

### HARDWARE BAG # 391702

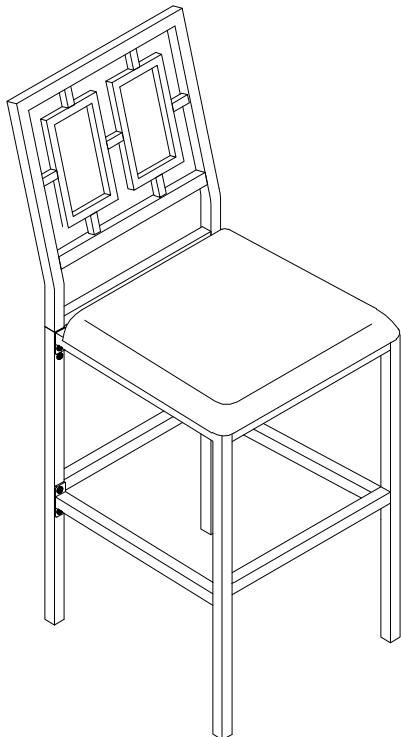
- (1) 1/4-20 X 3/4" FLAT ALLEN HEAD SCREW-16
- (2) 1/4" ID METAL SPRING WASHER-12
- (3) 1/4" ID X 1/2" OD FLAT METAL WASHER-16
- (4) ALLEN WRENCH-1

- (11) PLASTIC GLIDE-4 #391703 (PRE-INSTALLED)



SAVE ALL PACKAGING MATERIALS UNTIL PRODUCT IS FULLY ASSEMBLED. HARDWARE AND SMALL PIECES MAY NOT BE SEEN AND COULD BE ACCIDENTALLY DISCARDED WITH PACKAGING MATERIALS.

### PRODUCT FULLY ASSEMBLED



FOR ASSISTANCE IN ASSEMBLY ONLY OF THIS PRODUCT. CALL OUR HELP DESK AT 1-800-324-3415, BETWEEN 8:30 AM & 4:30 PM CENTRAL TIME MONDAY THRU FRIDAY. PLEASE HAVE THE STYLE NUMBER AVAILABLE BEFORE YOU CALL. (STYLE # OR NAME CAN BE FOUND ON PACKING CARTON OR SALES RECEIPT.) OUR PRODUCT IS INSPECTED TO ENSURE IT IS IN GOOD CONDITION. IF YOUR FURNITURE APPEARS TO HAVE BEEN DAMAGED IN SHIPMENT OR YOU ARE IN NEED OF REPLACEMENT PARTS PLEASE CONTACT THE DEALER FROM WHOM YOU PURCHASED THE PRODUCT.

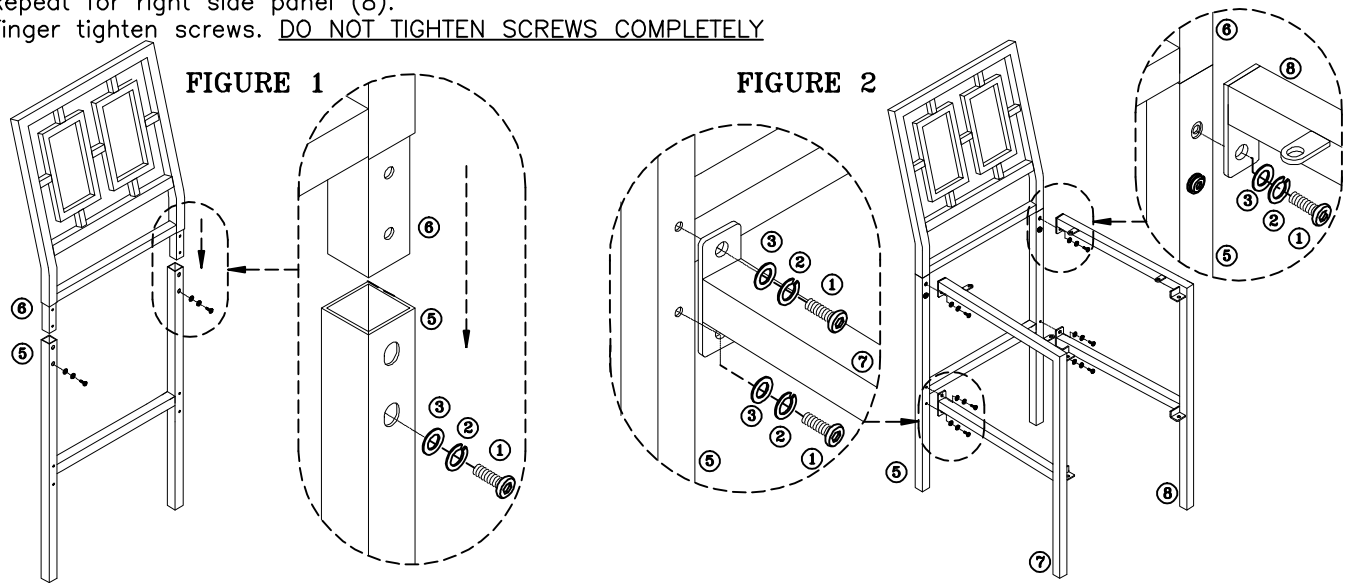
# Instruction Sheet

## STEP 1- Assembly of Back Panel to Bottom Panel.

- Align reduction on back panel (6) with metal tube on bottom panel (5). SEE FIGURE 1
- Carefully insert reduction into metal tube and secure with screw (1), spring washer (2) and flat metal washer (3) into bottom holes on back panel. Finger tighten screws.  
DO NOT TIGHTEN SCREWS COMPLETELY

## STEP 2- Assembly of Side Panels to Bottom Panel.

- Align holes on left side panel (7) metal brackets with threaded holes on bottom panel (5) and back panel (6). SEE FIGURE 2
  - Secure side panel (5 & 6) with screw (1), spring washer (2) and flat metal washer (3).
  - Repeat for right side panel (8).
- Finger tighten screws. DO NOT TIGHTEN SCREWS COMPLETELY



## STEP 3- Assembly of Front Rails to Side Panels.

- Align holes on side panel (7 & 8) metal bracket with threaded holes on front rails (9).
  - Secure front rails with screw (1), spring washer (2) and flat metal washer (3). SEE FIGURE 3
- Finger tighten screws. DO NOT TIGHTEN SCREWS COMPLETELY

## STEP 3- Assembly of Seat.

- Align holes on side panel (7 & 8) metal bracket with threaded inserts on bottom of seat (10).
  - Secure seat (10) with screw (1) and flat metal washer (3). SEE FIGURE 4
- Tighten screw with Allen wrench (4). SEE FIGURE 4  
NOW TIGHTEN ALL SCREWS (1) FROM STEPS 1-2-3 (FIGURE 1-2-3),

