

FASHION BED GROUP®

A *Loewitt & Platt* COMPANY

6755 W. 65th Street—Bedford Park, IL 60638

Parts List For Kenton Bed

BED CARTON

- (7) HEADBOARD PANEL
- (8) FOOTBOARD PANEL

PART #403901 HARDWARE BAG FOR
BED ATTACHMENT TO FRAME

- (1) 1/4-20 X 2 5/8" COUNTER SUNK ALLEN
HEAD SCREW-4
- (2) 1/4-20 X 1" FLAT ALLEN HEAD SCREW-4
- (3) 1/4-20 HEX NUT-4
- (4) 1/4" ID X 5/8" OD FLAT WASHER-8
- (5) 4MM ALLEN WRENCH-1

- (6) LEG EXTENSION-2

- (9) PLASTIC GLIDE-4

NOTE: PLASTIC GLIDES PRE-INSTALLED

HEADBOARD CARTON

- (7) HEADBOARD PANEL

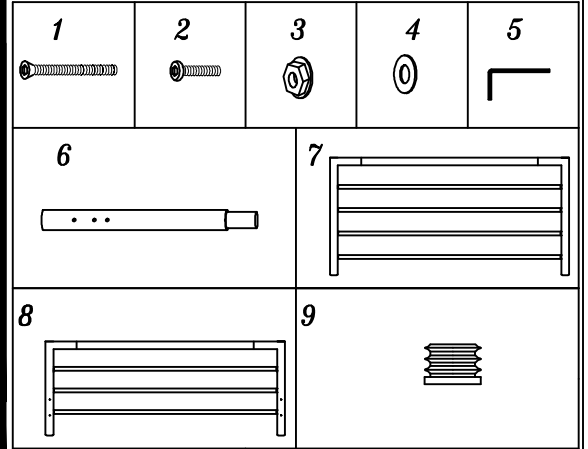
PART #403902 HARDWARE BAG FOR
HEADBOARD ATTACHMENT TO FRAME

- (1) 1/4-20 X 2 5/8" COUNTER SUNK ALLEN
HEAD SCREW-4
- (3) 1/4-20 HEX NUT-4
- (4) 1/4" ID X 5/8" OD FLAT WASHER-4
- (5) 4MM ALLEN WRENCH-1

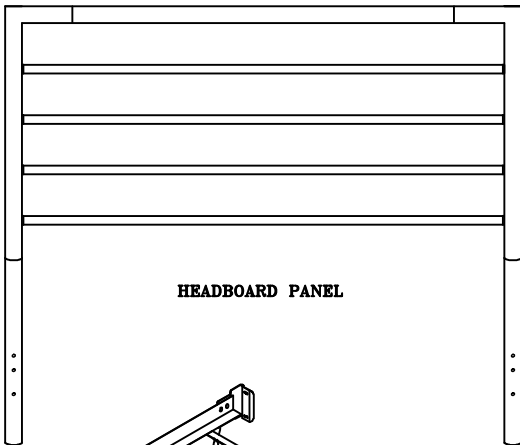
- (6) LEG EXTENSION-2

- (9) PLASTIC GLIDE-2

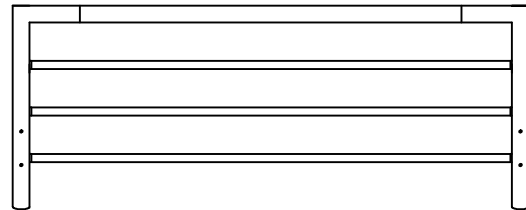
NOTE: PLASTIC GLIDES PRE-INSTALLED



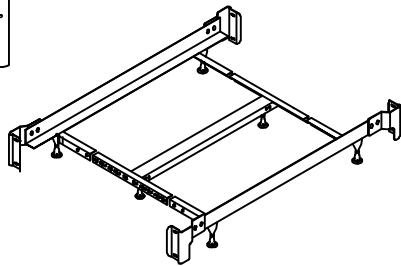
PRODUCT FULLY ASSEMBLED



HEADBOARD PANEL

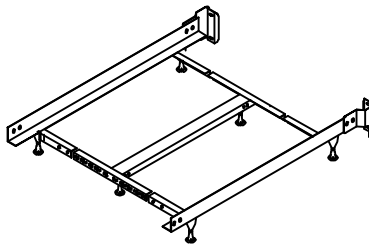


FOOTBOARD PANEL



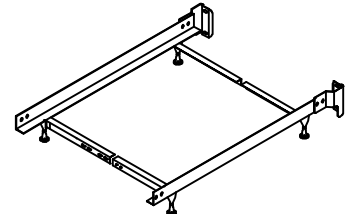
QUEEN - KING BED FRAME FULLY ASSEMBLED

NOTE: SEE INSTRUCTIONS INCLUDED IN FRAME CARTON
FOR FRAME ASSEMBLY



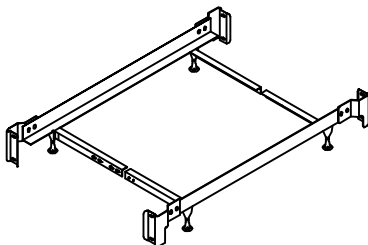
QUEEN - KING HEADBOARD ONLY FRAME FULLY ASSEMBLED

NOTE: SEE INSTRUCTIONS INCLUDED IN FRAME CARTON
FOR FRAME ASSEMBLY



TWIN - FULL HEADBOARD ONLY FRAME FULLY ASSEMBLED

NOTE: SEE INSTRUCTIONS INCLUDED IN FRAME CARTON
FOR FRAME ASSEMBLY



TWIN - FULL BED FRAME FULLY ASSEMBLED

NOTE: SEE INSTRUCTIONS INCLUDED IN FRAME CARTON
FOR FRAME ASSEMBLY

FOR ASSISTANCE IN ASSEMBLY ONLY OF THIS
PRODUCT. CALL OUR HELP DESK AT
1-800-324-3415, BETWEEN 8:30 AM & 4:30 PM
CENTRAL TIME MONDAY THROUGH FRIDAY. PLEASE
HAVE THE STYLE NUMBER AVAILABLE BEFORE YOU
CALL. (STYLE # OR NAME CAN BE FOUND ON
PACKING CARTON OR SALES RECEIPT.)
OUR PRODUCT IS INSPECTED TO ENSURE IT IS IN
GOOD CONDITION. IF YOUR FURNITURE APPEARS
TO HAVE BEEN DAMAGED IN SHIPMENT OR YOU
ARE IN NEED OF REPLACEMENT PARTS PLEASE
CONTACT THE DEALER FROM WHOM YOU
PURCHASED THE PRODUCT.

Instruction Sheet

SAVE ALL PACKAGING MATERIALS UNTIL PRODUCT IS FULLY ASSEMBLED. HARDWARE AND SMALL PIECES MAY NOT BE SEEN AND COULD BE ACCIDENTALLY DISCARDED WITH PACKAGING MATERIALS.

FIGURE 1

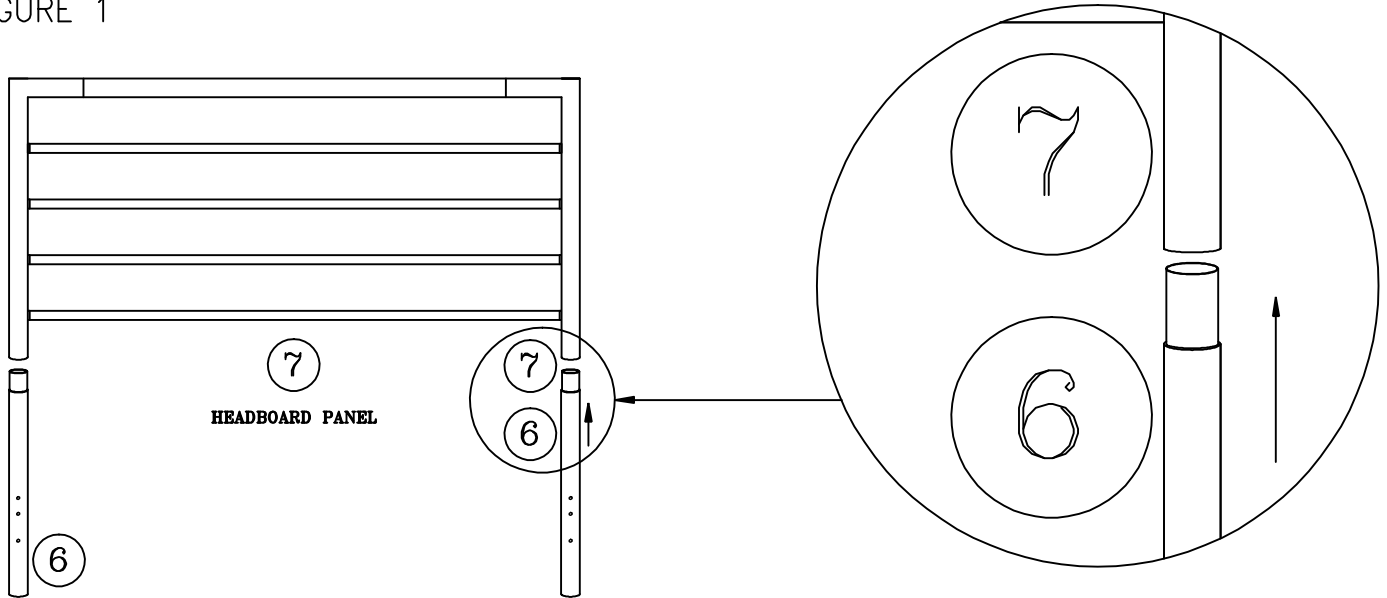
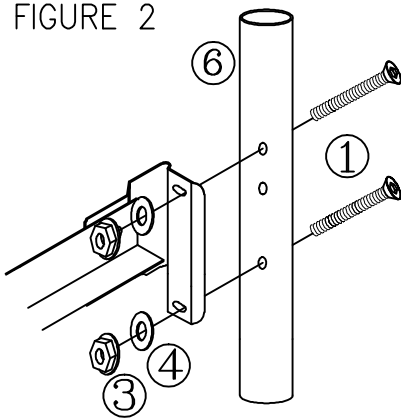


FIGURE 2



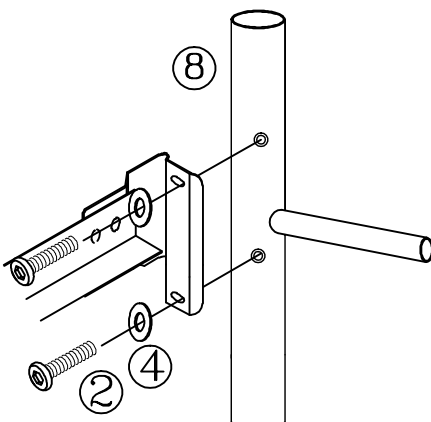
STEP 1- Assembly of Leg Extension

- Align top reduction of leg extension (6) with bottom of headboard panel (7) post. SEE FIGURE 1
- Make sure the 3 holes on leg extension are perpendicular to headboard panel.
- Carefully insert headboard leg extension (6) into bottom of headboard panel (7) post. SEE FIGURE 1

STEP 2- Headboard Frame Assembly

- Place headboard panel and frame in desired location in room.
- Place 2 screw (1) through holes located in headboard leg extension (6). SEE FIGURE 2
- Align bed frame bracket over screws (1).
- Place a flat metal washer (4) over screw (1) first and then a hex nut (3) on each screw. DO NOT TIGHTEN SCREWS COMPLETELY.
- Repeat on other side of headboard panel.
- Tighten all screws (1) securely using Allen wrench (5).

FIGURE 3



STEP 3- Footboard Frame Assembly

- Position footboard panel (8) and align holes with holes in the frame bracket. SEE FIGURE 3
- Place flat metal Washer (4) on each screw (2).
- Insert through bracket and into threaded holes on footboard panel (8). DO NOT TIGHTEN SCREWS COMPLETELY. SEE FIGURE 3
- Repeat on other side of footboard panel.
- Tighten all screw (2) securely using Allen wrench (5).