

FASHION BED GROUP.

A *Lovett & Platt* COMPANY

6755 W. 65th Street-Bedford Park, IL 60638

Parts List For Full Hampton Bed

BED CARTON

- (1) HEADBOARD PANEL-1
- (2) FOOTBOARD PANEL-1
- (3) DRAWER BACK PANEL-1
- (4) LEFT SIDE DRAWER PANEL-1
- (5) RIGHT SIDE DRAWER PANEL-1
- (6) DRAWER BASE-1
- (7) DRAWER BOTTOM SUPPORT RAIL-1
- (8) DRAWER FRONT PANEL-1
- (9) WOOD SLATS-1
- (10) CROSS SUPPORT RAIL-1
- (11) LEFT SIDE DRAWER SUPPORT RAIL-1
- (12) RIGHT SIDE DRAWER SUPPORT RAIL-1
- (13) CENTER SUPPORT LEG-2

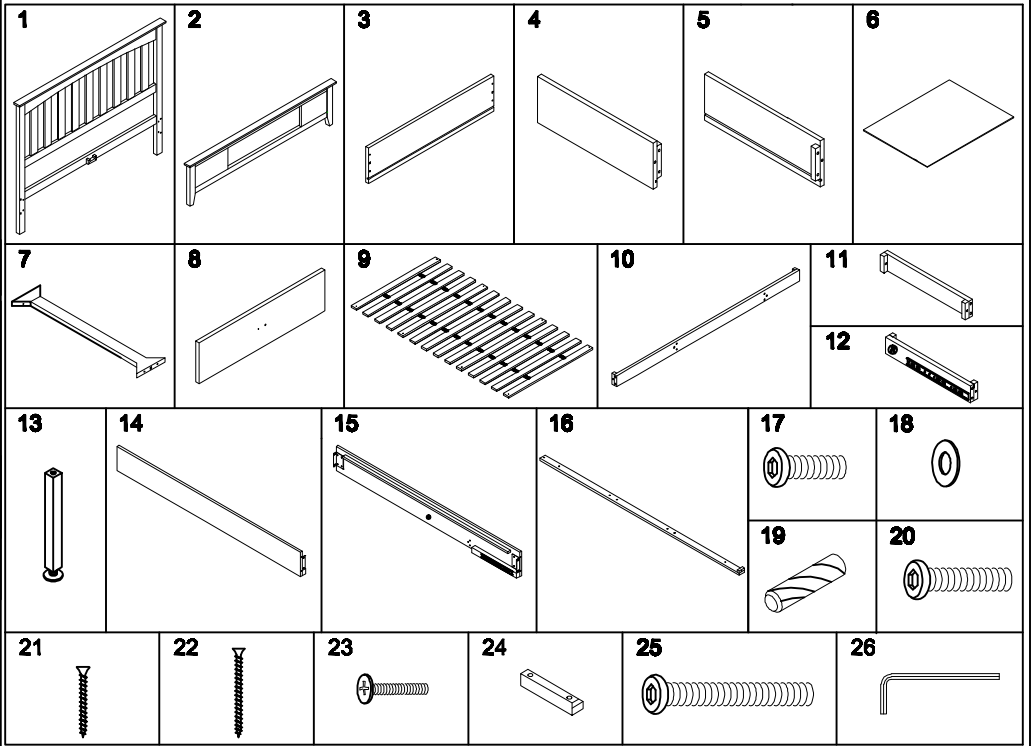
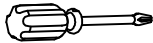
SIDE RAIL CARTON

- (14) LEFT SIDE RAIL-1
- (15) RIGHT SIDE RAIL-1
- (16) CENTER SUPPORT RAIL-1

PART # 402401 HARDWARE BAG

- (17) 1/4-20 X 3/4" FLAT ALLEN HEAD SCREW-8
- (18) 1/4" ID X 5/8" OD FLAT METAL WASHER-14
- (19) 10MM X 40MM WOOD DOWEL-26
- (20) 1/4-20 X 1" FLAT ALLEN HEAD SCREW-12
- (21) #4 X 30MM PHILLIPS HEAD WOOD SCREW-8
- (22) #4 X 35MM PHILLIPS HEAD WOOD SCREW-9
- (23) 10-24 X 1" PHILLIPS HEAD SCREW-2
- (24) WOOD HANDLE-1
- (25) 1/4-20 X 1 1/2" FLAT ALLEN H. SCREW-6
- (26) 4MM ALLEN WRENCH-1

TOOLS NEED: PHILLIPS SCREWDRIVER (NOT INCLUDE)



Instruction Sheet

SAVE ALL PACKAGING MATERIALS UNTIL PRODUCT IS FULLY ASSEMBLED. HARDWARE AND SMALL PIECES MAY NOT BE SEEN AND COULD BE ACCIDENTALLY DISCARDED WITH PACKAGING MATERIALS.

NOTE: FOR EASY ASSEMBLY ASSISTANCE FROM OTHER PERSON WOULD BE BENEFICIAL.

Step 1- Assembly of Right Side Rail.

- Insert wood dowel (19) into pilot holes on headboard panel (1) place right side rail (15) over wood dowel (19). SEE FIGURE 1
- Secure right side rail (15) with screw (17) and flat metal washer (18). Use Allen wrench (26) to tighten.
- Repeat same steps with footboard panel (2).

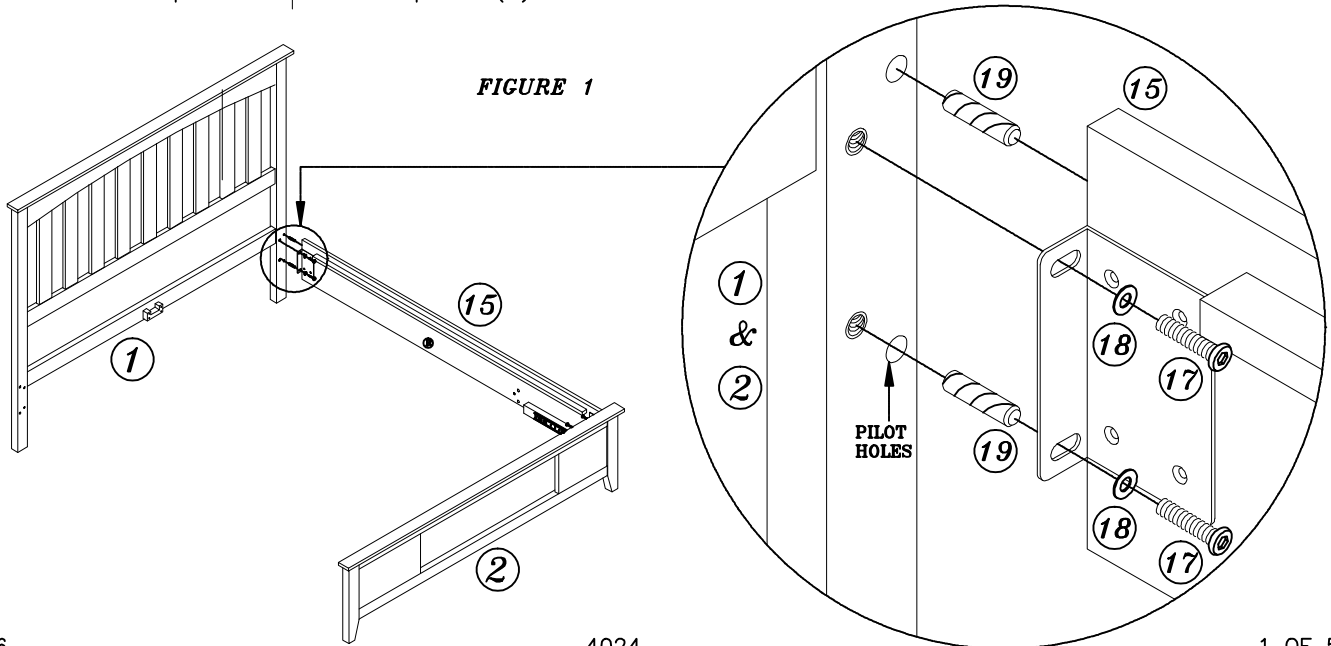
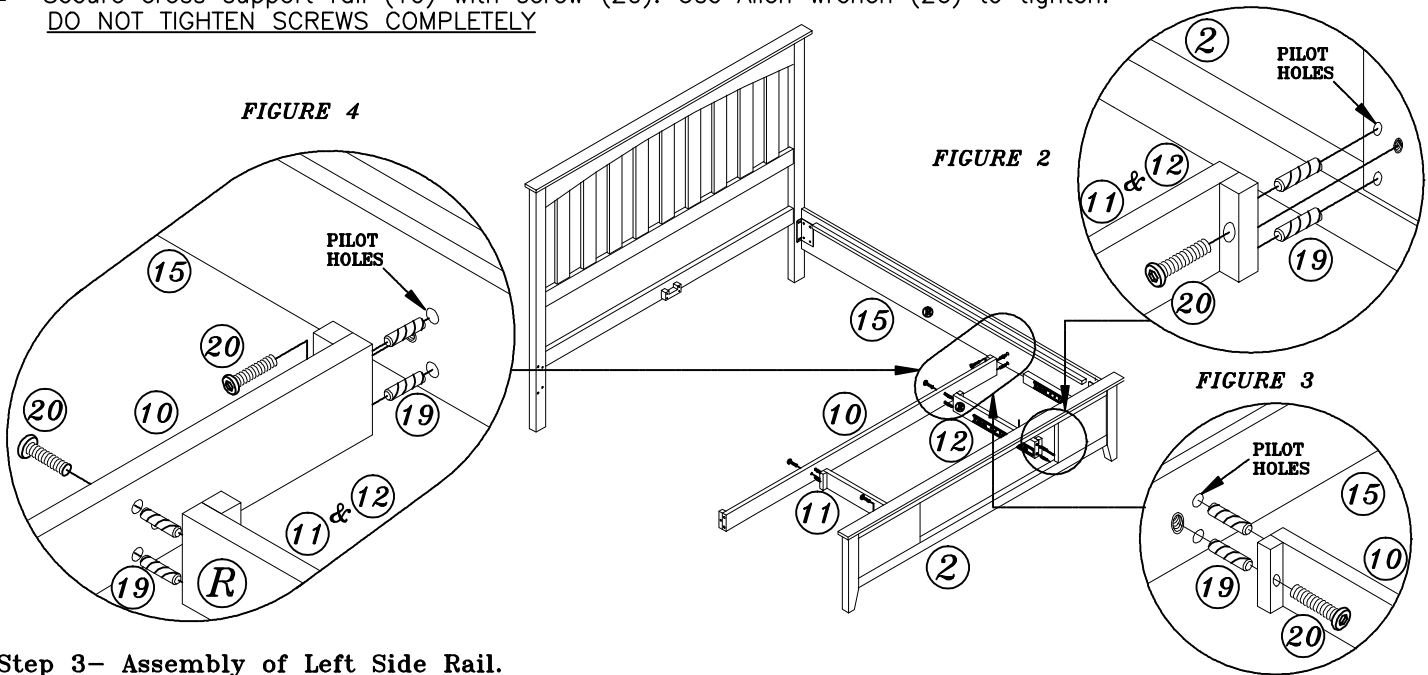


FIGURE 1

Instruction Sheet

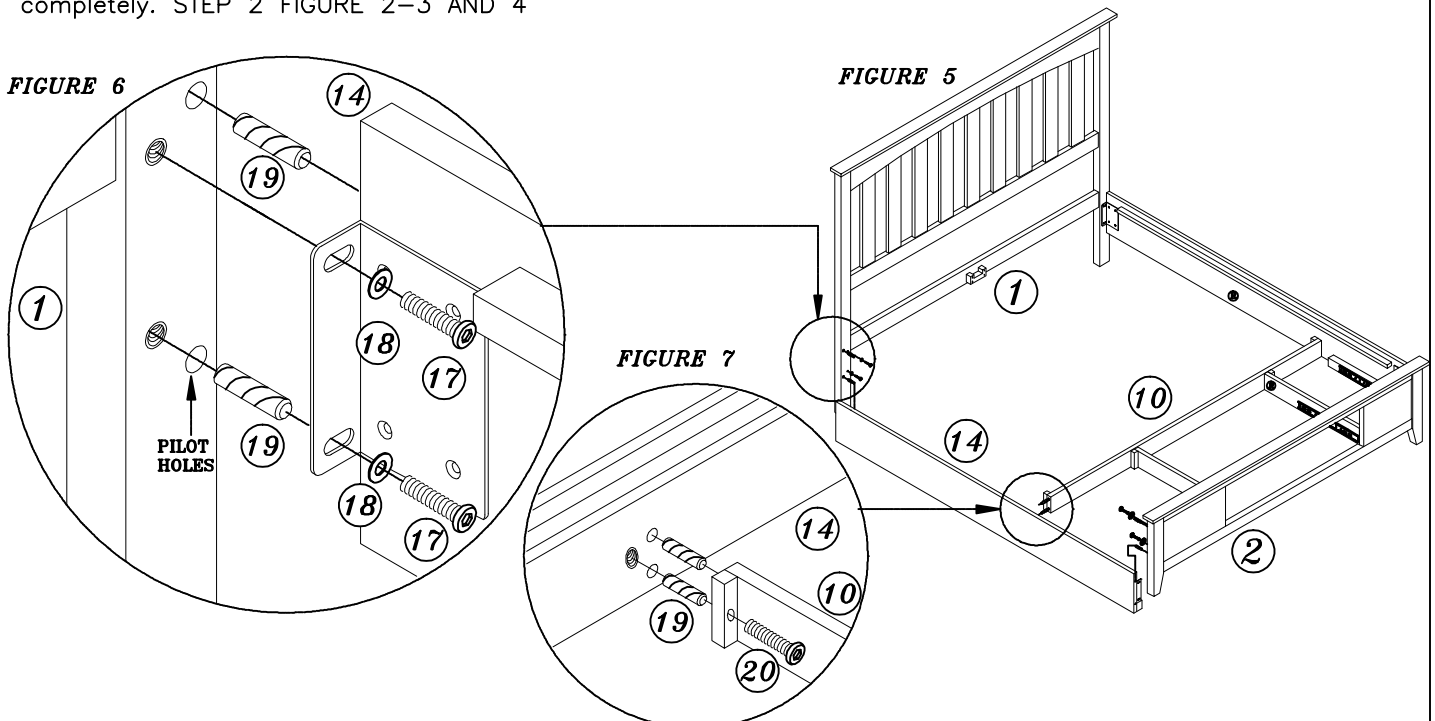
Step 2- Assembly of Drawer Support Rails and Cross Support Rail.

- Insert wood dowel (19) into pilot holes on footboard panel (2). SEE FIGURE 2
- Place left side drawer support rail (11) and right side drawer support rail (12) over wood dowel (19). SEE FIGURE 2
- Secure side drawer support rails (11 & 12) with screw (20). Use Allen wrench (26) to tighten. DO NOT TIGHTEN SCREWS COMPLETELY
- Insert wood dowel (19) into pilot holes on right side rail (15) and side drawer support rails (11 & 12). SEE FIGURE 3 AND 4
- Place cross support rail (10) over wood dowels (19). SEE FIGURE 4
- Secure cross support rail (10) with screw (20). Use Allen wrench (26) to tighten. DO NOT TIGHTEN SCREWS COMPLETELY



Step 3- Assembly of Left Side Rail.

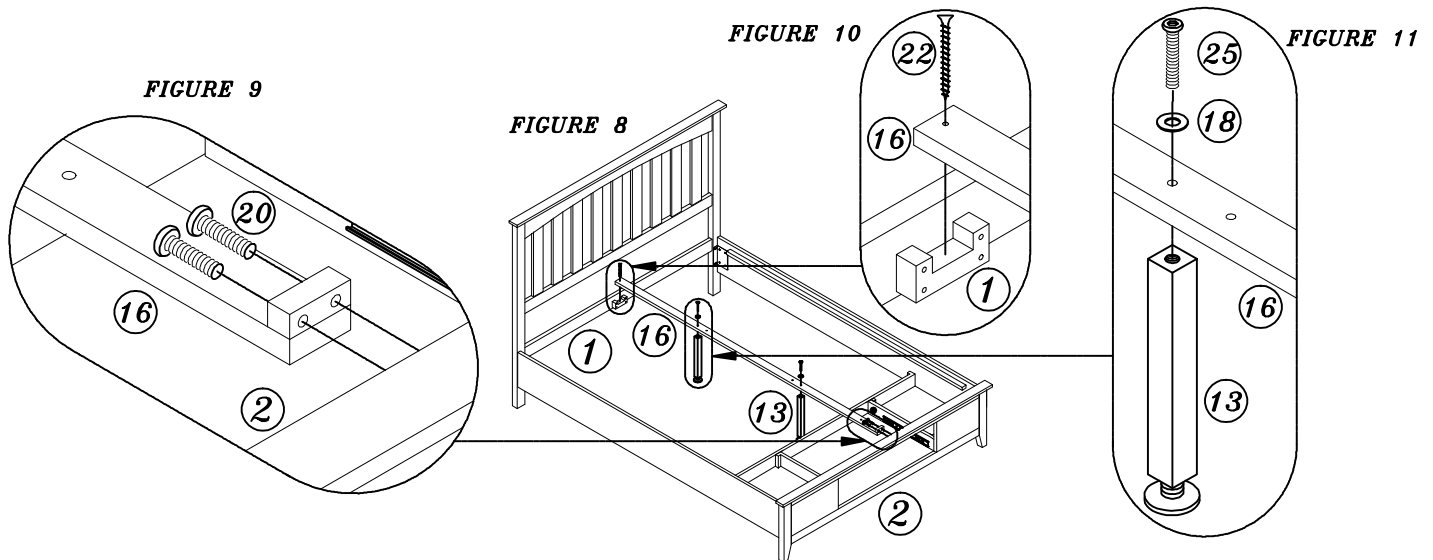
- Insert wood dowel (19) into pilot holes on headboard panel (1), footboard panel (2) and cross support rail (10). SEE FIGURE 5
- Place left side rail (14) over wood dowel (19). SEE FIGURE 6 AND 7
- Secure left side rail (14) with screw (17) and metal washer (18). Use Allen wrench (26) to tighten.
- Secure cross support rail (10) with screw (20). Use Allen wrench (26) to tighten all screws (20) completely. STEP 2 FIGURE 2-3 AND 4



Instruction Sheet

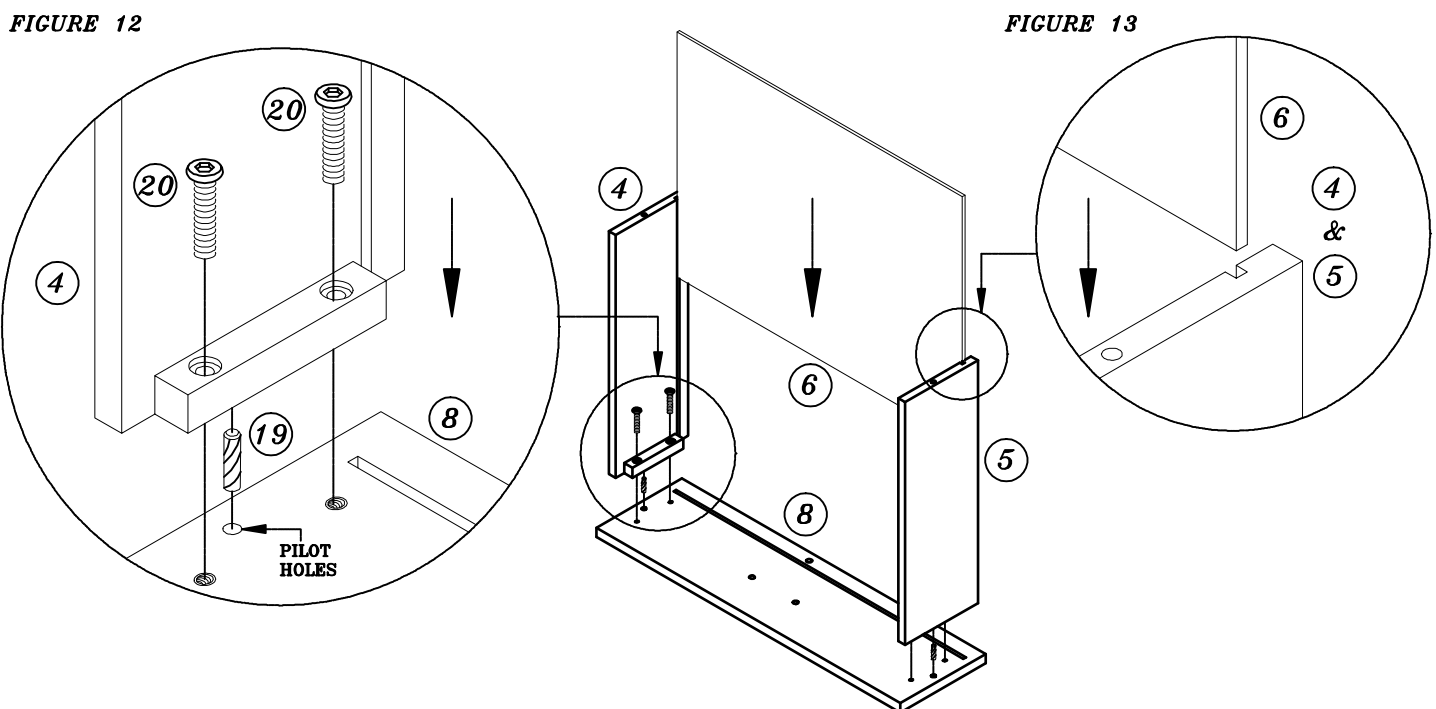
Step 4- Assembly of Support Leg and Center Support Rail.

- Place center support rail (16) between headboard panel (1) and footboard panel (2). SEE FIGURE 8
- Secure center support rail (16) to footboard panel (2) with screw (20). Use Allen wrench (26) to tighten screw. SEE FIGURE 9
- Secure center support rail (16) to headboard panel (1) with screw (22). Use phillips screwdriver to tighten. SEE FIGURE 10
- Place support legs (13) under center support rail (16). SEE FIGURE 11
- Secure support leg (13) with screw (25) and flat metal washer (18). Use Allen wrench to (26) to tighten screws.



Step 5- Assembly of Drawer Side Panels and Drawer Base.

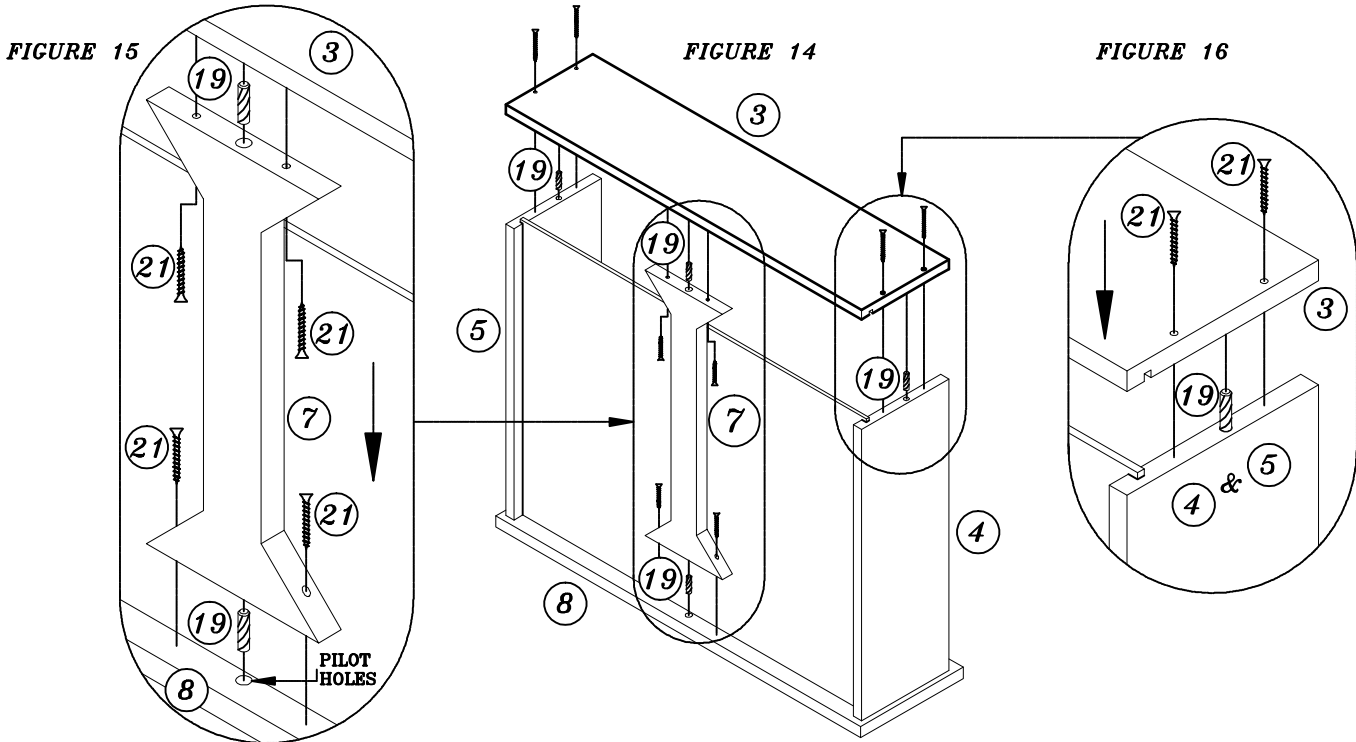
- Insert wood dowel (19) into pilot holes on front drawer panel (8) place left side drawer panel (4) and right side drawer panel (5) over wood dowel (19). SEE FIGURE 12
- Secure side drawer panels (4 & 5) with screw (20). Use Allen wrench (26) to tighten.
- Carefully insert drawer base (6) between side drawer panels (4 & 5). SEE FIGURE 13



Instruction Sheet

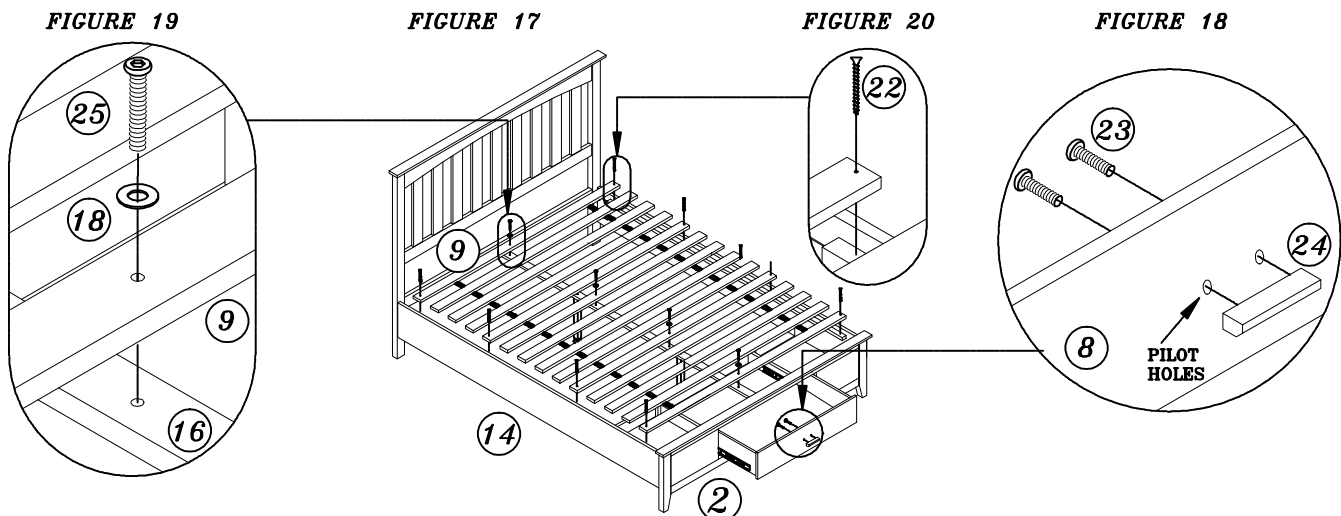
Step 6- Assembly of Drawer Support Rails and Drawer Back Panel.

- Insert wood dowel (19) into pilot holes on front drawer panel (8), left side drawer panel (4), right side drawer panel (5) and drawer support rail (7). SEE FIGURE 14
- Insert drawer support rail (7) over wood dowel (19). SEE FIGURE 15
- Secure drawer support rail (7) with phillips head wood screw (21). Use phillips head screwdriver to tighten.
- Carefully place drawer back panel (3) over wood dowel (19). SEE FIGURE 16
- Secure back drawer panel (3) with screw (21). Use phillips haed screwdriver.
- Finish secure drawer support rail (7) with screw (21). SEE FIGURE 15



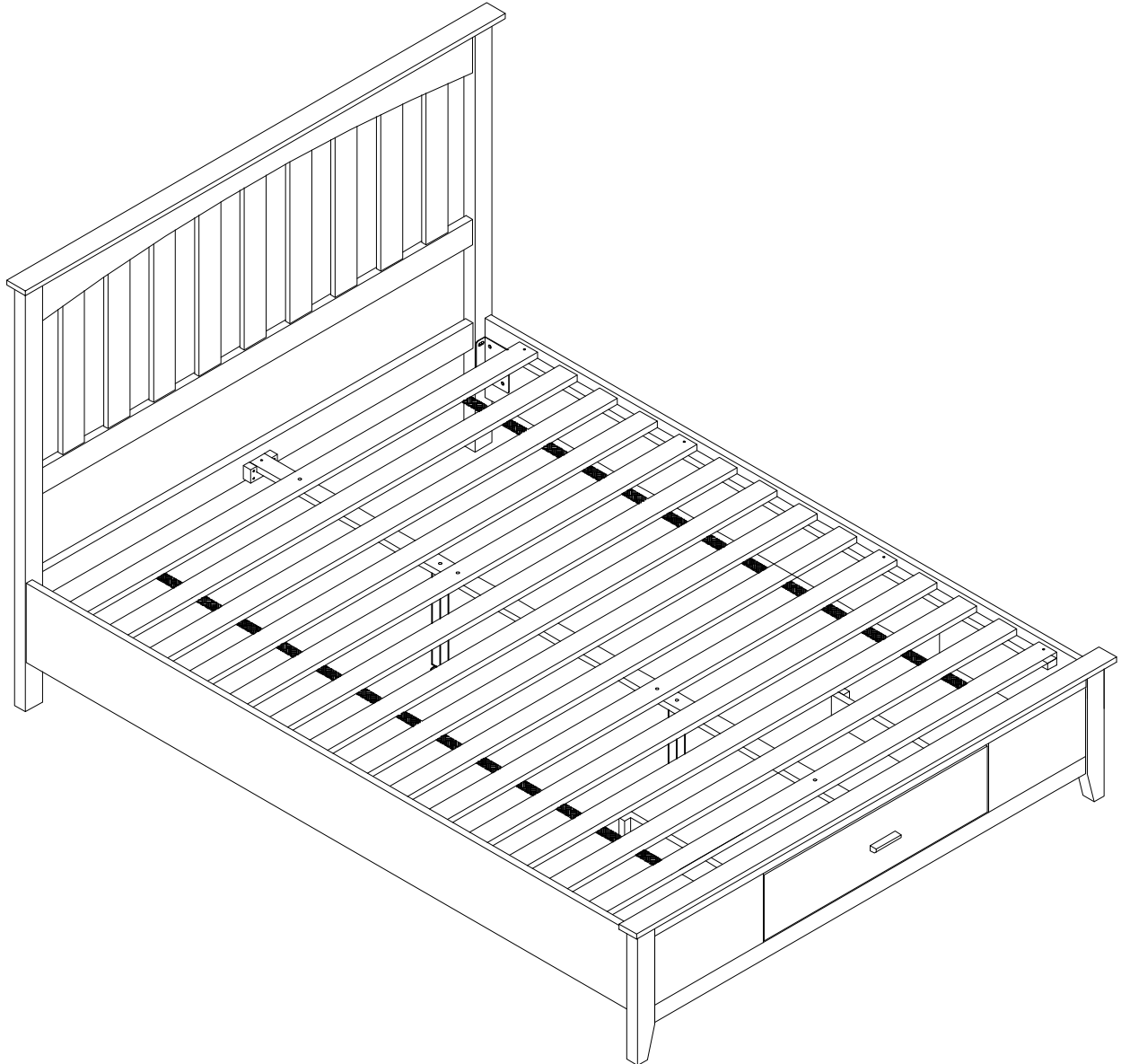
Step 7- Assembly of Wood Slats and Drawer Handle.

- Carefully place drawer fully assembled on footboard panel (2). SEE FIGURE 17
- Align pilot holes on drawer front panel (8) with threaded inserts on drawer handle (24). SEE FIGURE 18
- Secure drawer handle (24) with screw (23). Use phillips screwdriver to tighten.
- Place wood slats (9) between side rails (14 & 15). SEE FIGURE 17
- Secure wood slats (9) with screw (25) flat metal washer (18). FIGURE 19
- Secure wood slats (9) ends to cleat with screw (22). Use phillips head screwdriver to tighten. SEE FIGURE 20



Instruction Sheet

PRODUCT FULLY ASSEMBLED



FOR ASSISTANCE IN ASSEMBLY ONLY OF THIS PRODUCT. CALL OUR HELP DESK AT 1-800-324-3415, BETWEEN 8:30 AM & 4:30 PM CENTRAL TIME MONDAY THRU FRIDAY. PLEASE HAVE THE STYLE NUMBER AVAILABLE BEFORE YOU CALL. (STYLE # OR NAME CAN BE FOUND ON PACKING CARTON OR SALES RECEIPT.) OUR PRODUCT IS INSPECTED TO ENSURE IT IS IN GOOD CONDITION. IF YOUR FURNITURE APPEARS TO HAVE BEEN DAMAGED IN SHIPMENT OR YOU ARE IN NEED OF REPLACEMENT PARTS PLEASE CONTACT THE DEALER FROM WHOM YOU PURCHASED THE PRODUCT.