

leggett & platt®

fashion bed™

6755 W. 65th Street Bedford Park, IL 60638

Parts List For Grandover Daybed

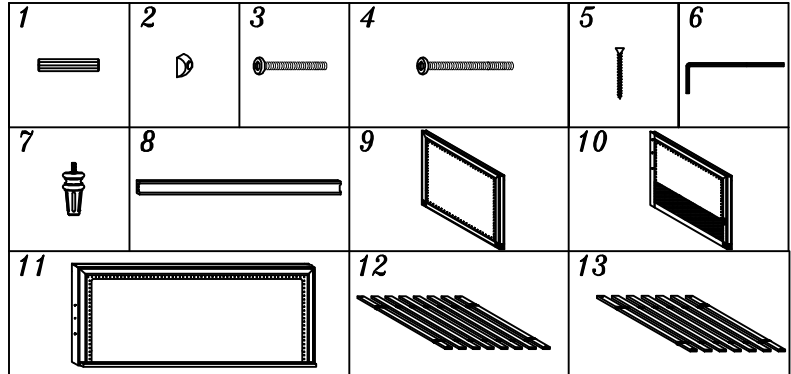
PART #392002 HARDWARE BAG FOR DAYBED

- (1) 10MM X 50MM WOOD DOWELS-6
- (2) HALF MOON WASHER-2
- (3) 1/4-20 X 2" FLAT ALLEN HEAD SCREW-2
- (4) 1/4-20 X 2 3/4" FLAT ALLEN HEAD SCREW-4
- (5) #4 X 1 3/8" PHILLIPS HEAD WOOD SCREW-8
- (6) 4MM LONG ARM ALLEN WRENCH-1

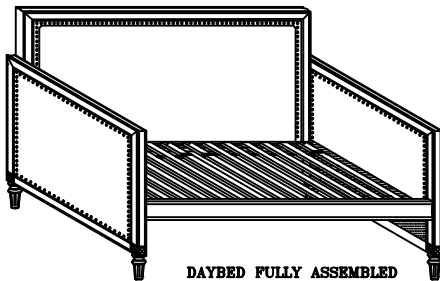
DAYBED PARTS:

- (7) FOOT-4 #388503
- (8) FRONT RAIL-1
- (9) LEFT SIDE-1
- (10) RIGHT SIDE-1
- (11) BACK PANEL-1
- (12) LARGE SLAT DECK-1 (8 SLATS)
- (13) SMALL SLAT DECK-1 (7 SLATS)

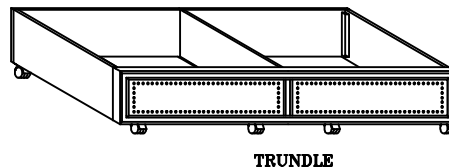
REQUIRED TOOLS:
PHILLIPS SCREW DRIVER
(NOT INCLUDED)



SAVE ALL PACKAGING MATERIALS UNTIL PRODUCT IS FULLY ASSEMBLED. HARDWARE AND SMALL PIECES MAY NOT BE SEEN AND COULD BE ACCIDENTALLY DISCARDED WITH PACKAGING MATERIALS.



OPTIONAL



Instruction Sheet

- NOTES:
- For ease of assembly you will need a helper.
 - Periodically retighten all screws.

Step 1- Assembly of Foot to Post.

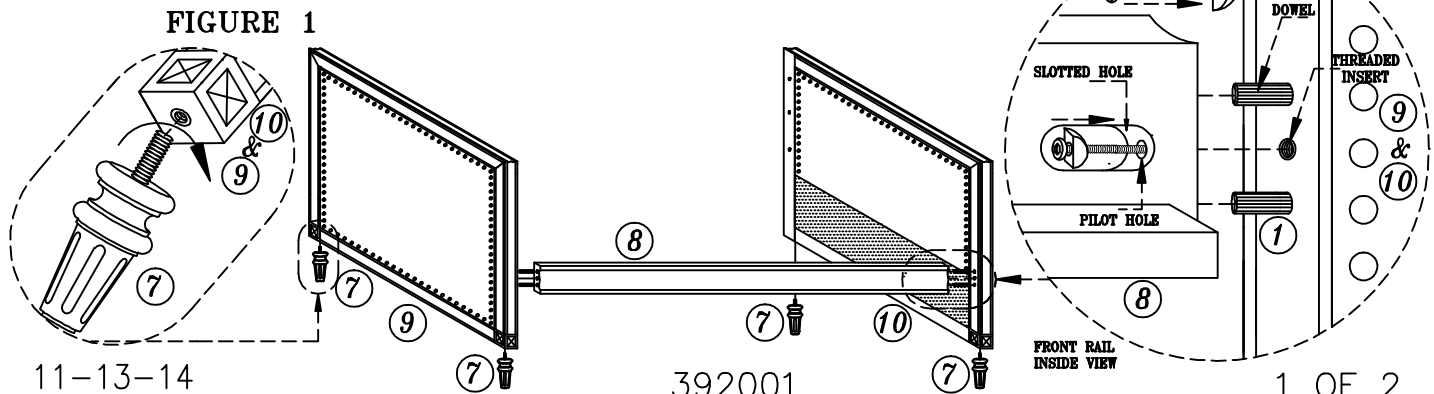
- Screw foot (7) into bottom of front and back post on left side panel (9) and right side panel (10). SEE FIGURE 1

Step 2- Assembly of Front Rail to Side Panels.

- Insert wood dowel (1) into pilot holes on Left side panel (9) and right side panel (10). SEE FIGURE 2
- Align pilot holes on front rail (8) with wood dowels (1).
- Inserts screw (3) on half moon washer (2). SEE FIGURE 2
- Insert screw (3) with half moon washer (2) on slotted holes on front rail (8) and into threaded insert on front post of right side panel (10) and left side panel (9).
- Secure front rail (8) to front post with screw (3) into each post. Use Allen wrench (6).

DO NOT TIGHT SCREWS COMPLETELY

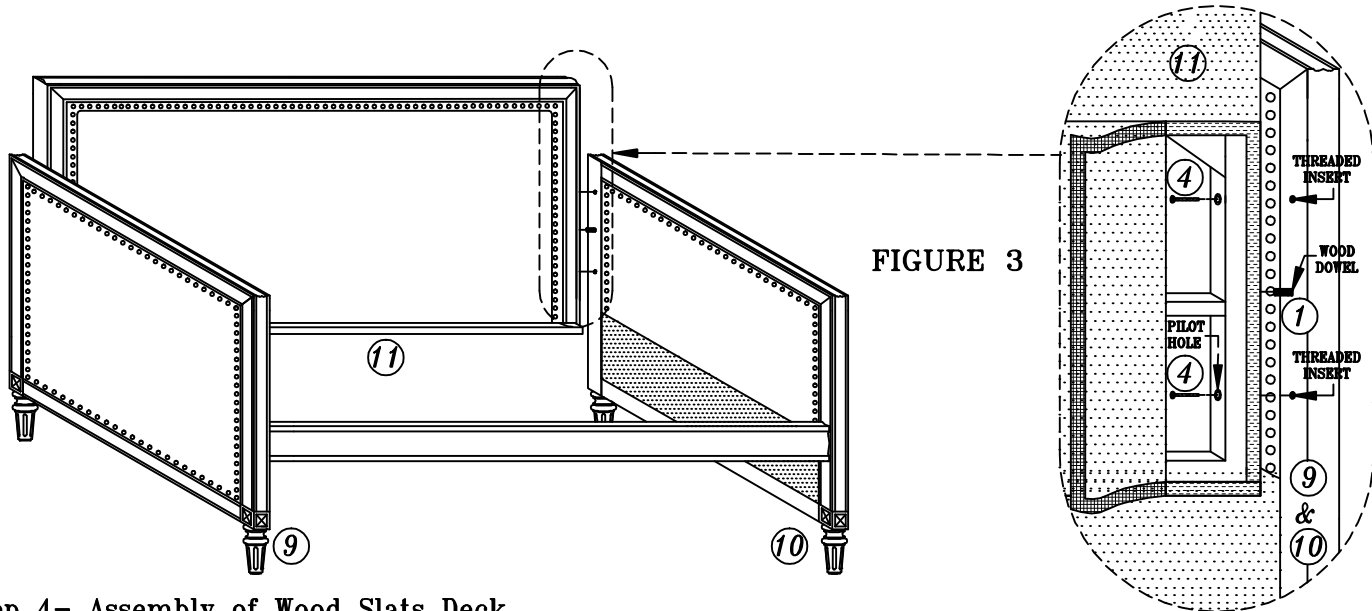
FIGURE 2



Instruction Sheet

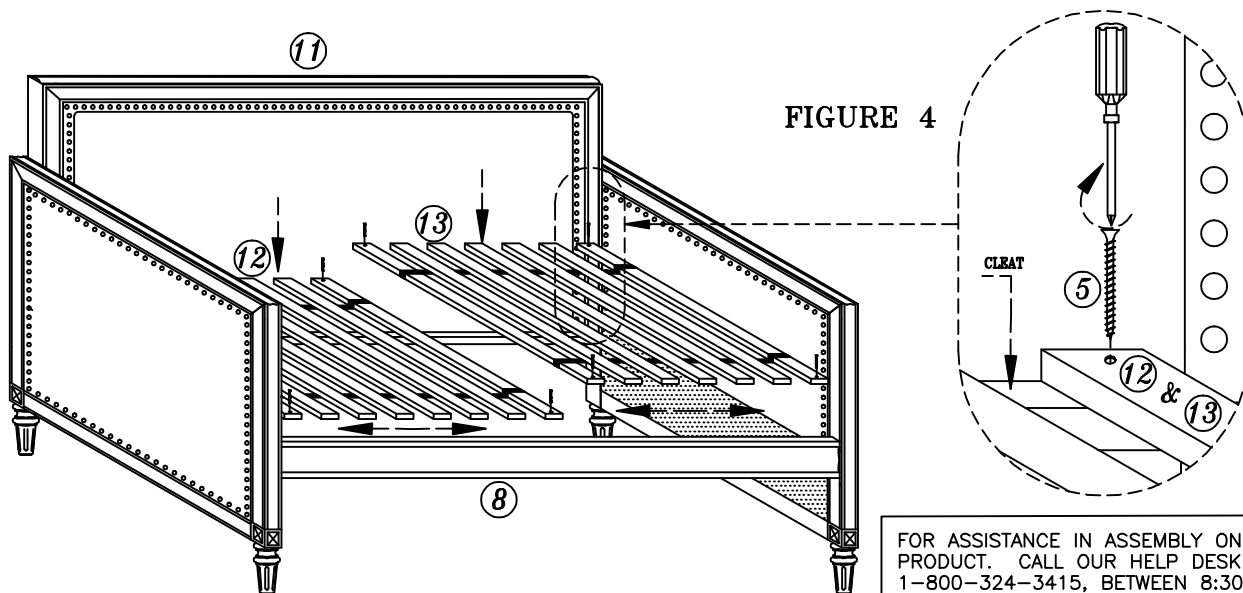
Step 3- Assembly of Back Panel to Side Panels.

- Insert wood dowel (1) on pilot holes on back post of left side panel (9) and right side panel (10). SEE FIGURE 3
- Carefully open each end of the back panel (11).
- Align pilot holes on back panel (11) with wood dowel (1).
- Insert screw (4) into pilot holes on Back panel (11) and into threaded insert on back post of left side panel (9) and right side panel (10). SEE FIGURE 3
- Tighten screws (4) completely with Allen wrench (6). Reseal velcro each end of back panel (11).
- Now Tighten screws (3) on each side of front rail (8). SEE FIGURE 2



Step 4- Assembly of Wood Slats Deck.

- Place large slat deck (12) and small slat deck (13) between front rail (8) and back panel (11). SEE FIGURE 4
- Secure wood slat decks (12 and 13) to cleat with phillips head wood screw (5). Use phillips head screwdriver.



FOR ASSISTANCE IN ASSEMBLY ONLY OF THIS PRODUCT. CALL OUR HELP DESK AT 1-800-324-3415, BETWEEN 8:30 AM & 4:30 PM CENTRAL TIME MONDAY THRU FRIDAY. PLEASE HAVE THE STYLE NUMBER AVAILABLE BEFORE YOU CALL. (STYLE # OR NAME CAN BE FOUND ON PACKING CARTON OR SALES RECEIPT.) OUR PRODUCT IS INSPECTED TO ENSURE IT IS IN GOOD CONDITION. IF YOUR FURNITURE APPEARS TO HAVE BEEN DAMAGED IN SHIPMENT OR YOU ARE IN NEED OF REPLACEMENT PARTS PLEASE CONTACT THE DEALER FROM WHOM YOU PURCHASED THE PRODUCT.