

leggett & platt

fashion bed™

6755 W. 65th Street Bedford Park, IL 60638

Parts List For Grandover Bed

GRANDOVER BED CARTON

- (7) HEADBOARD PANEL-1
- (8) LEFT HEADBOARD POST-1
- (9) RIGHT HEADBOARD POST-1
- (10) FOOTBOARD PANEL-1
- (11) FOOT-2 #388503
- (12) END CROSS SLAT-2
- (13) CENTER CROSS SLAT-2 FOR QUEEN
(4 FOR CK/KING)
- (14) SUPPORT LEGS-6 FOR QUEEN #395004
(8 FOR CK/KING)

GRANDOVER BED SIDE RAILS CARTON

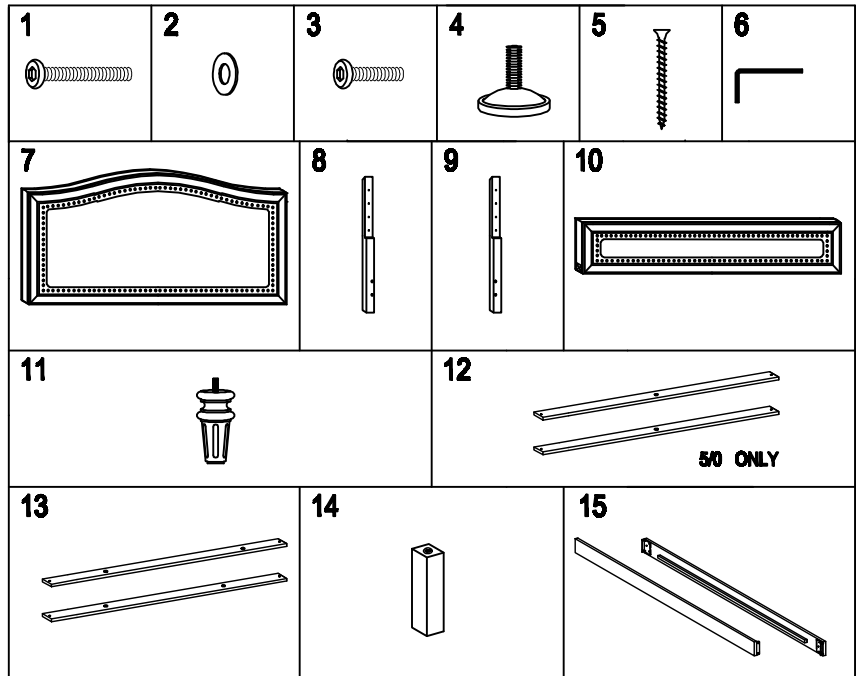
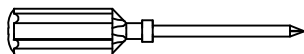
- (15) SIDE RAILS-2

HARDWARE BAG #395002 FOR 5/0

HARDWARE BAG #395003 FOR 6/0-6/6

- (1) 1/4-20 X 1 1/2" FLAT ALLEN HEAD SCREW-14
FOR QUEEN (16 FOR CK/KING)
- (2) 1/4" ID X 5/8" OD FLAT METAL WASHER-22
(24 FOR CK/KING)
- (3) 1/4-20 X 3/4" FLAT ALLEN HEAD SCREW-8
- (4) ADJUSTABLE GLIDE -6
(8 FOR CK/KING)
- (5) #4 X 1 3/8" PHILLIPS HEAD WOOD SCREW-8
- (6) 4MM ALLEN WRENCH-1

REQUIRED TOOLS:
PHILLIPS SCREW DRIVER
(NOT INCLUDED)



SAVE ALL PACKAGING MATERIALS UNTIL PRODUCT IS FULLY ASSEMBLED. HARDWARE AND SMALL PIECES MAY NOT BE SEEN AND COULD BE ACCIDENTALLY DISCARDED WITH PACKAGING MATERIALS.

Instruction Sheet

NOTE: FOR EASY ASSEMBLY YOU NEED THE HELP OF ANOTHER PERSON.

Step 1- Assembly of Headboard post .

- Place headboard panel (7) upside down on a flat and clean surface.
- Align pilot holes on left headboard post (8) and right headboard post (9) with threaded insert on headboard panel (7). SEE FIGURE 1
- Secure headboard post (8 & 9) with screw (1) and flat metal washer (2). Use Allen wrench (6)

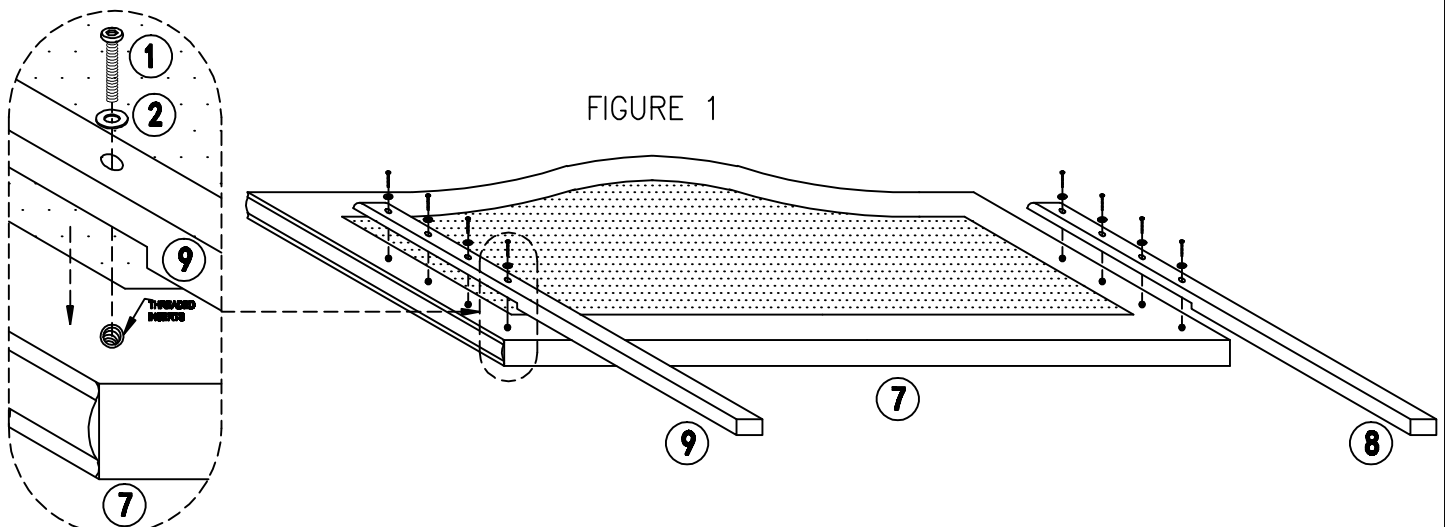


FIGURE 1

Instruction Sheet

Step 2- Assembly of Foot to Footboard Panel.

- Screw foot (11) on footboard panel (10). SEE FIGURE 2

Step 3- Assembly of Side Rails.

- Place headboard panel on desire location on the room.
- Align holes on side rail (15) metal bracket with threaded insert on headboard posts (8 & 9). SEE FIGURE 3
- Secure side rail (15) with screw (3) flat metal washer (2). Use Allen wrench (6). Finger tighten screws.
DO NOT TIGHT SCREWS COMPLETELY.
- Repeat same steps with footboard panel (10).

FIGURE 2

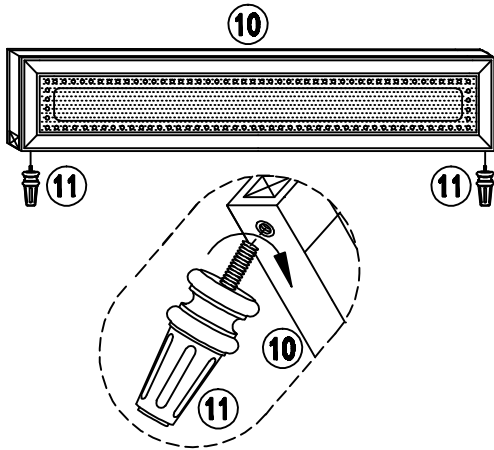
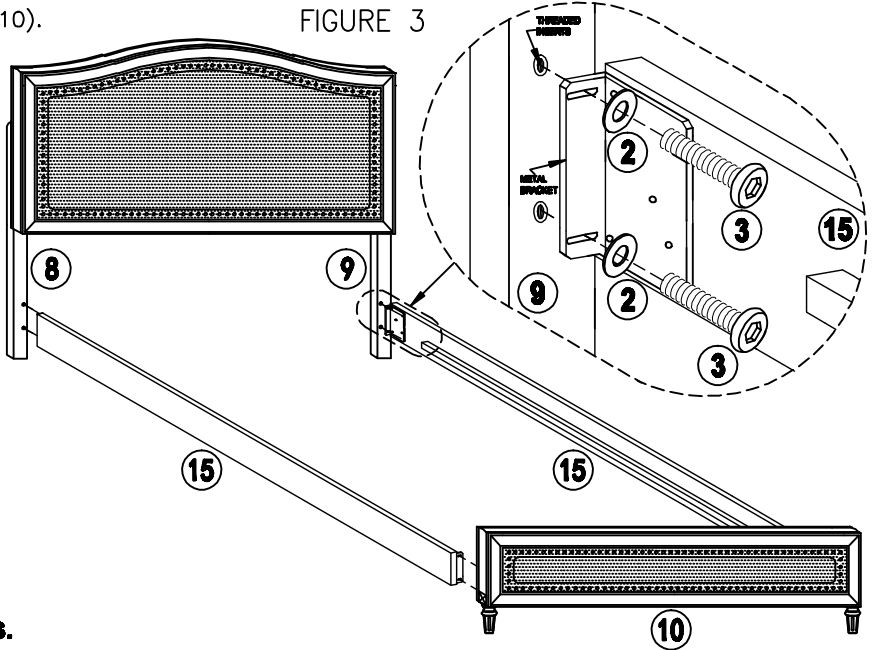


FIGURE 3



Step 4- Assembly of Support legs and Slats.

- Screw adjustable glide (4) on support leg (14). SEE FIGURE 4
- Align threaded inserts on support legs (14) with pilot holes on end cross slats (12) and center cross slats (13). SEE FIGURE 4
- Secure support legs (14) with screw (1) and flat metal washer (2). Use Allen wrench (6).
- Place end cross slats (12) and center cross slats (13) between side rail (15). SEE FIGURE 5
- Secure slats (12&13) into cleat on side rail (15) with phillips head wood screw (5). Use phillips screwdriver. SEE FIGURE 5
NOTE: Reposition adjustable glide on support leg as needed.
- Now tighten completely all screws (3). Use Allen wrench (6). SEE FIGURE 3

FIGURE 4

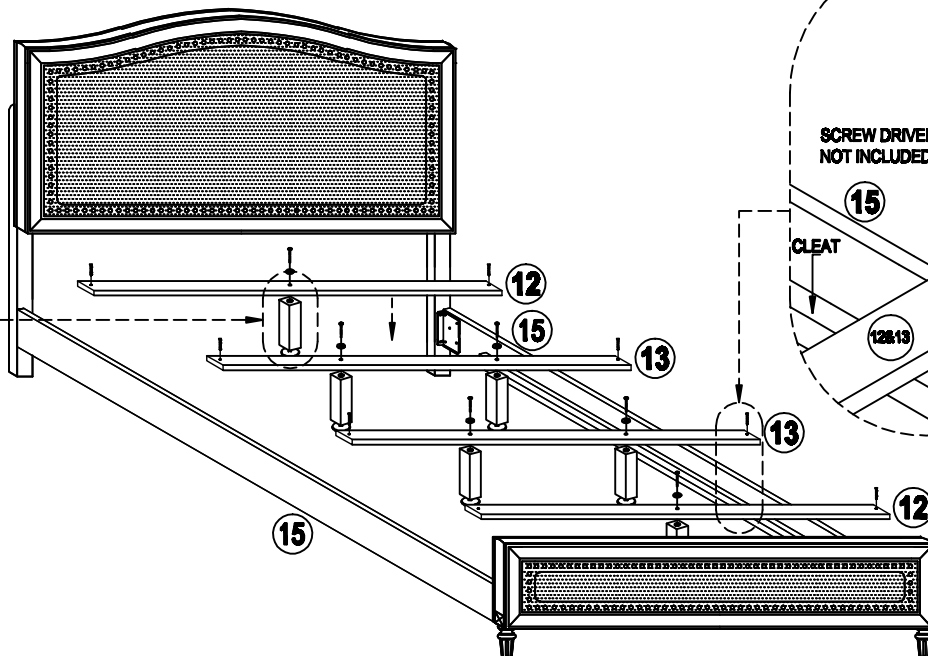
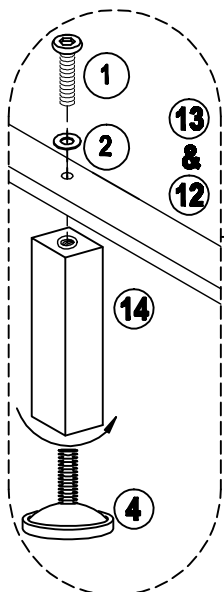
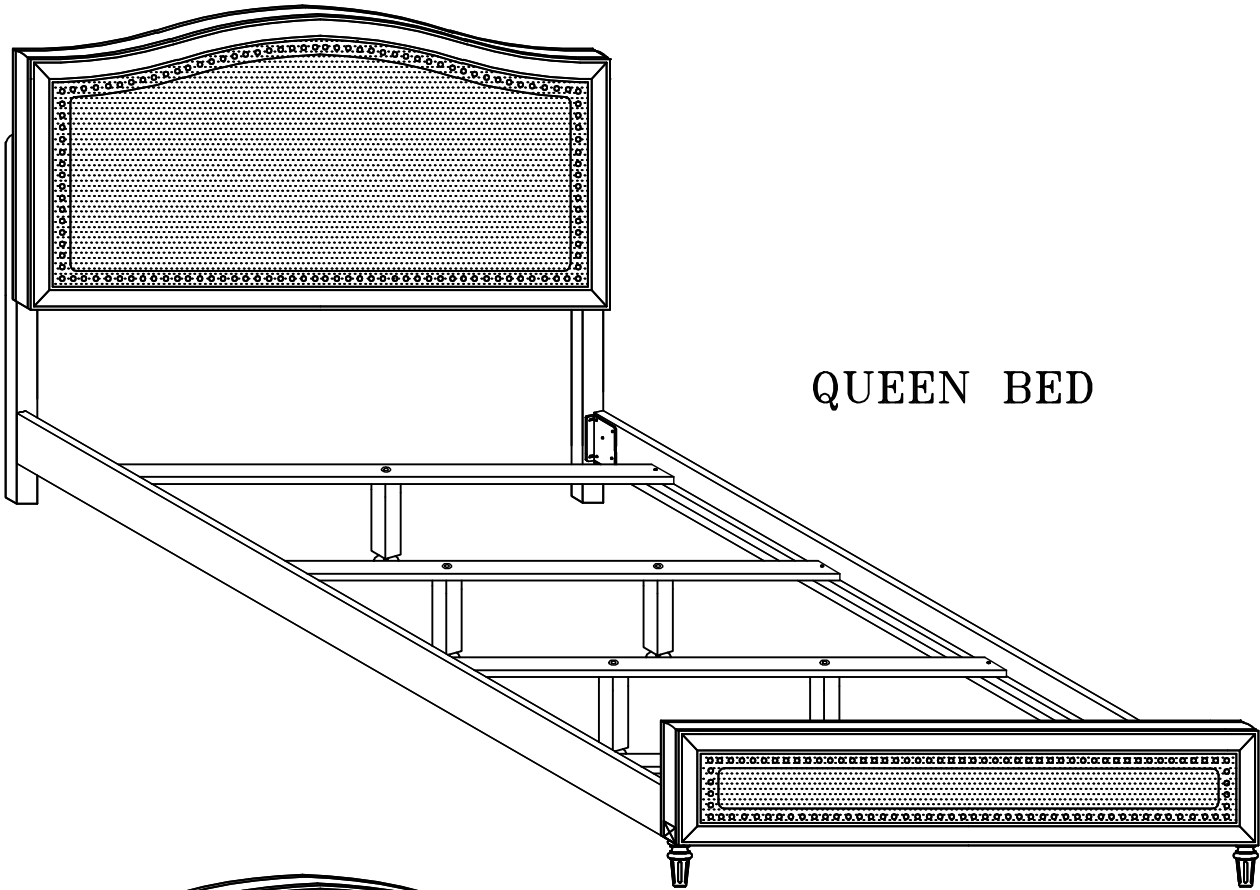
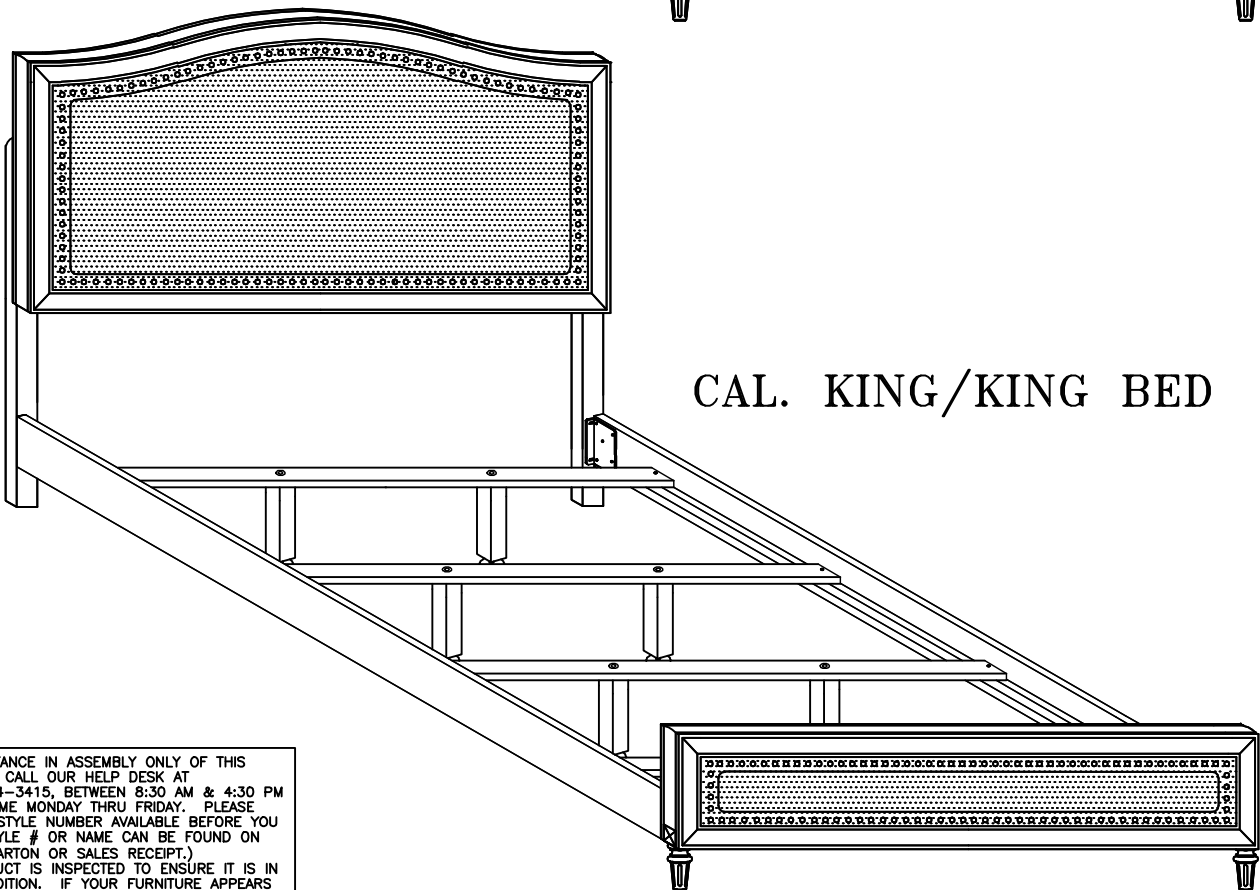


FIGURE 5

PRODUCT FULLY ASSEMBLED



QUEEN BED



CAL. KING/KING BED

FOR ASSISTANCE IN ASSEMBLY ONLY OF THIS PRODUCT. CALL OUR HELP DESK AT 1-800-324-3415, BETWEEN 8:30 AM & 4:30 PM CENTRAL TIME MONDAY THRU FRIDAY. PLEASE HAVE THE STYLE NUMBER AVAILABLE BEFORE YOU CALL. (STYLE # OR NAME CAN BE FOUND ON PACKING CARTON OR SALES RECEIPT.) OUR PRODUCT IS INSPECTED TO ENSURE IT IS IN GOOD CONDITION. IF YOUR FURNITURE APPEARS TO HAVE BEEN DAMAGED IN SHIPMENT OR YOU ARE IN NEED OF REPLACEMENT PARTS PLEASE CONTACT THE DEALER FROM WHOM YOU PURCHASED THE PRODUCT.