

leggett & platt®

fashion bed™

6755 W. 65th Street Bedford Park, IL 60638

Gotham Daybed Parts List

PART #393502 HARDWARE BAG FOR DAYBED

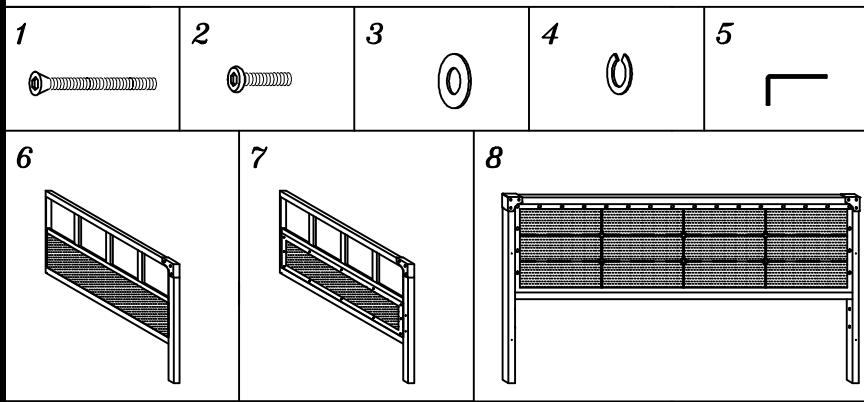
- (1) 1/4-20 X 2 1/4" COUNTERSUNK ALLEN HEAD SCREW-4
- (2) 1/4-20 X 1" FLAT ALLEN HEAD SCREW-8
- (3) 1/4" ID X 5/8" OD FLAT METAL WASHER-8
- (4) 1/4" ID SPRING WASHER-8
- (5) ALLEN WRENCH-1

DAYBED PARTS:

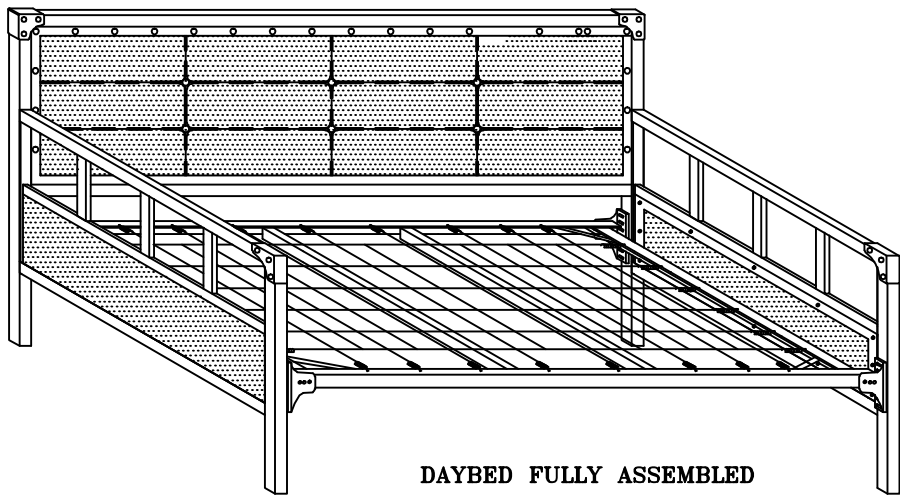
- (6) LEFT SIDE-1
- (7) RIGHT SIDE-1
- (8) BACK PANEL-1

PLASTIC GLIDE-4 # 317902

NOTE: GLIDES PRE-INSTALLED



SAVE ALL PACKAGING MATERIALS UNTIL PRODUCT IS FULLY ASSEMBLED. HARDWARE AND SMALL PIECES MAY NOT BE SEEN AND COULD BE ACCIDENTALLY DISCARDED WITH PACKAGING MATERIALS.



DAYBED FULLY ASSEMBLED

Instruction Sheet

- For ease of assembly you will need a helper.
- Periodically retighten all screws.

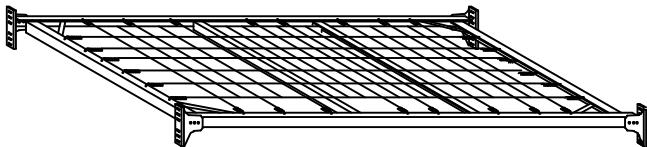
Step 1- Locate Hardware bags for Daybed & Link Spring Assembly

- Hardware bag for daybed assembly is located inside the daybed box.
- Link spring – follow manufacturer instructions to assembly end brackets to link spring before attaching to daybed

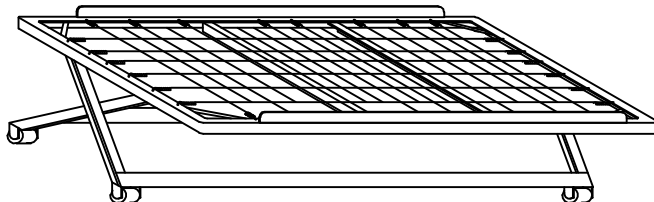
OPTIONAL

"LINK SPRING SOLD SEPARATELY"

"TRUNDLE UNIT SOLD SEPARATELY"



LINK SPRING FULLY ASSEMBLED

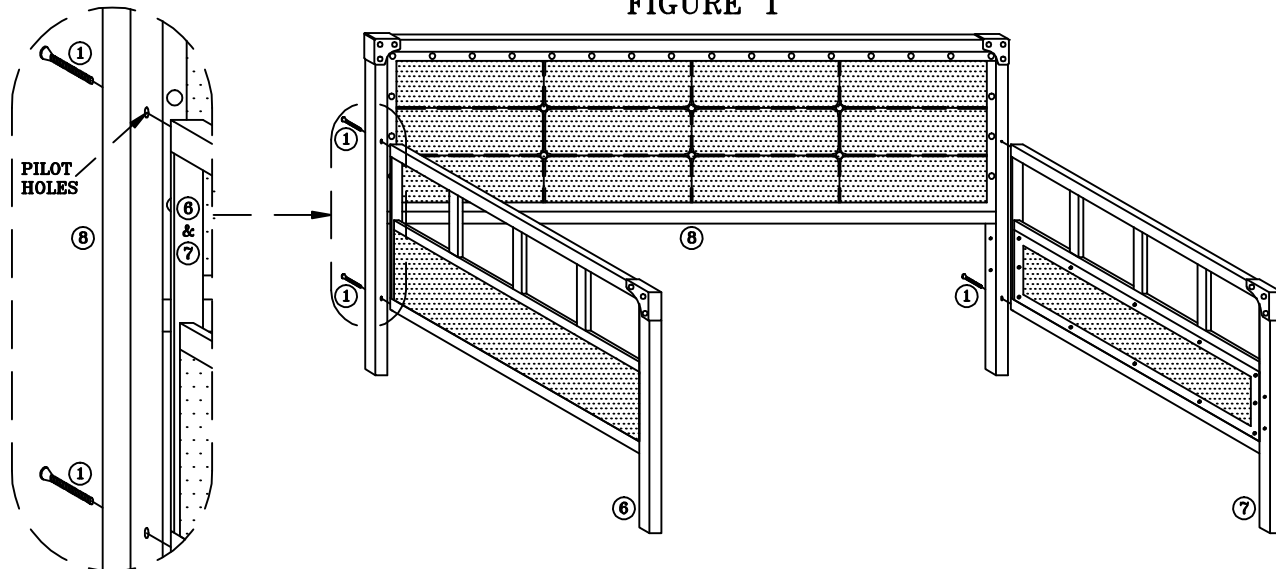


Instruction Sheet

STEP 2- Assembly of Back Panel.

- Align back panel (8) pilot holes with left side panel (6) rails. SEE FIGURE 1
- Secure back panel (8) with screw (1) tighten with Allen wrench (5).
- Repeat same steps with Right side panel (7).

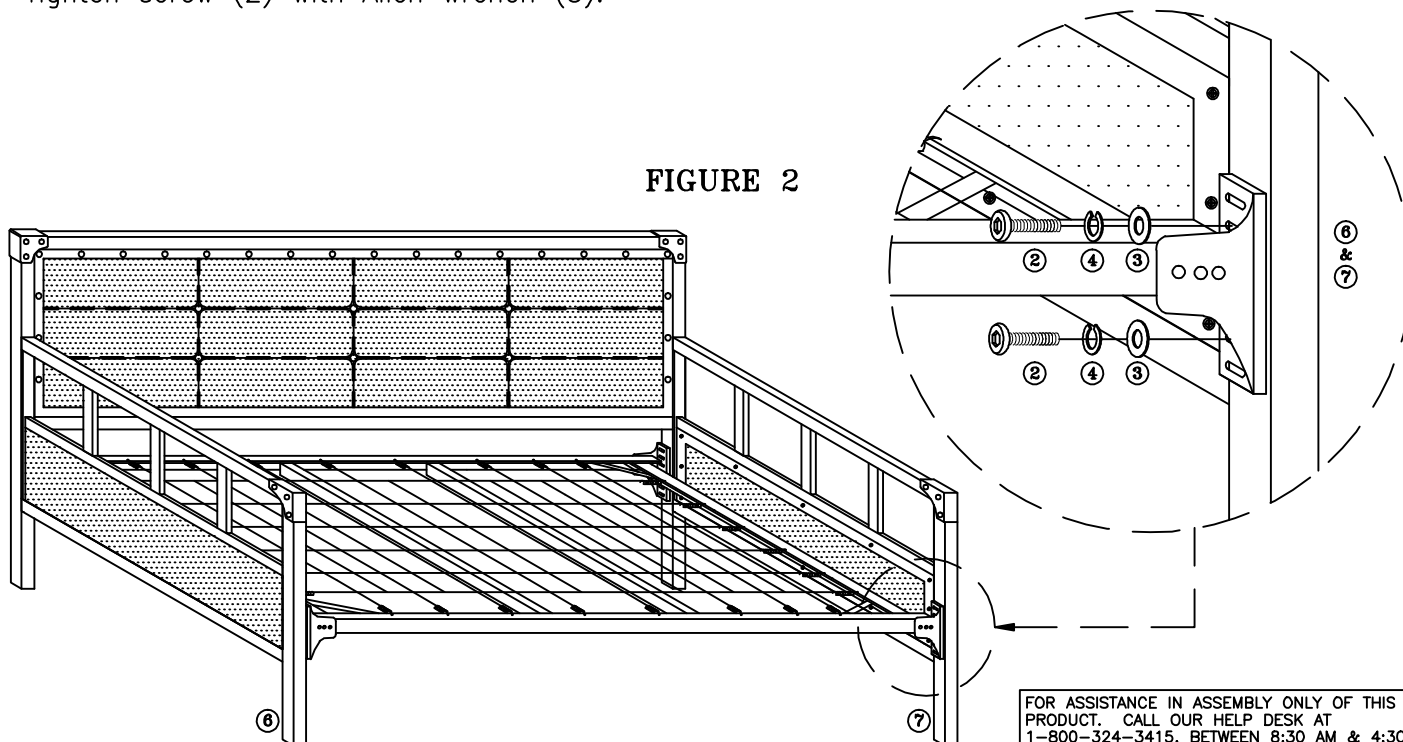
FIGURE 1



STEP 3- Assembly of Link Spring to Daybed Sides Panels.

- Align holes on link spring brackets with threaded holes on side panels (6 & 7) post. SEE FIGURE 2
- Secure link spring with screw (2), spring washer (4) and flat metal washer (3). SEE FIGURE 2
- Tighten screw (2) with Allen wrench (5).

FIGURE 2



FOR ASSISTANCE IN ASSEMBLY ONLY OF THIS PRODUCT. CALL OUR HELP DESK AT 1-800-324-3415, BETWEEN 8:30 AM & 4:30 PM CENTRAL TIME MONDAY THRU FRIDAY. PLEASE HAVE THE STYLE NUMBER AVAILABLE BEFORE YOU CALL. (STYLE # OR NAME CAN BE FOUND ON PACKING CARTON OR SALES RECEIPT.) OUR PRODUCT IS INSPECTED TO ENSURE IT IS IN GOOD CONDITION. IF YOUR FURNITURE APPEARS TO HAVE BEEN DAMAGED IN SHIPMENT OR YOU ARE IN NEED OF REPLACEMENT PARTS PLEASE CONTACT THE DEALER FROM WHOM YOU PURCHASED THE PRODUCT.