

FASHION BED GROUP.

A *Leavitt & Platt* COMPANY

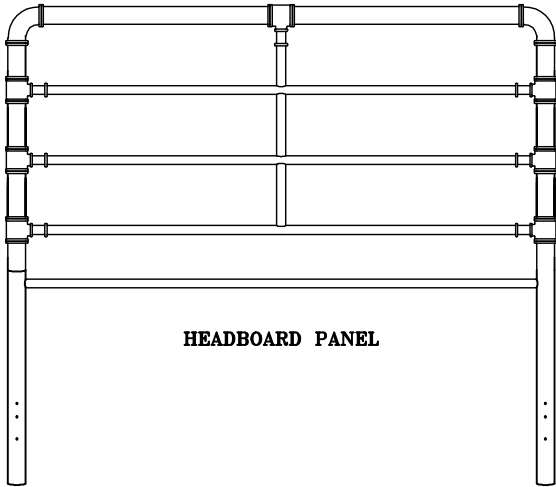
6755 W. 65th Street—Bedford Park, IL 60638

Parts List For Everett Bed

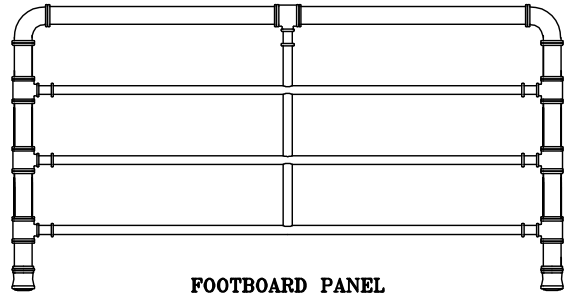
BED CARTON	HEADBOARD CARTON	1	2	3	4	5	6
(9) LEFT EXTENSION LEG-1 (10) RIGHT EXTENSION LEG-1 (11) HEADBOARD SUPPORT RAIL-1 (12) HEADBOARD PANEL-1 (13) FOOTBOARD PANEL-1 PART # 406501 HARDWARE BAG FOR BED ATTACHMENT TO FRAME (1) 1/4-20 X 3/4 FLAT ALLEN HEAD SCREW-6 (2) 1/4" ID X 5/8" OD FLAT METAL WASHER-12 (3) 1/4-20 X 2 3/4" COUNTERSUNK ALLEN HEAD SCREW-4 (4) 1/4 ID SPRING METAL WASHER-8 (5) 1/4-20 X 1" FLAT ALLEN HEAD SCREW-4 (6) 1/4-20 HEX NUT-4 (7) 4MM ALLEN WRENCH-1 (8) 10MM OPEN WRENCH-1	(9) LEFT EXTENSION LEG-1 (10) RIGHT EXTENSION LEG-1 (11) HEADBOARD SUPPORT RAIL-1 (12) HEADBOARD PANEL-1 PART # 406502 HARDWARE BAG FOR HEADBOARD ATTACHMENT TO FRAME (1) 1/4-20 X 3/4 FLAT ALLEN HEAD SCREW-6 (2) 1/4" ID X 5/8" OD FLAT METAL WASHER-8 (3) 1/4-20 X 2 3/4" COUNTERSUNK ALLEN HEAD SCREW-4 (4) 1/4 ID SPRING METAL WASHER-4 (6) 1/4-20 HEX NUT-4 (7) 4MM ALLEN WRENCH-1 (8) 10MM OPEN WRENCH-1						

SAVE ALL PACKAGING MATERIALS UNTIL PRODUCT IS FULLY ASSEMBLED. HARDWARE AND SMALL PIECES MAY NOT BE SEEN AND COULD BE ACCIDENTALLY DISCARDED WITH PACKAGING MATERIALS.

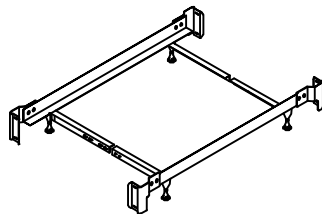
PRODUCT FULLY ASSEMBLED



HEADBOARD PANEL

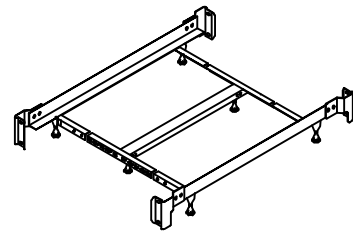


FOOTBOARD PANEL



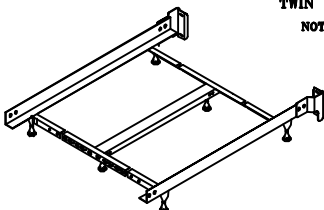
TWIN - FULL BED FRAME FULLY ASSEMBLED

NOTE: SEE INSTRUCTIONS INCLUDED IN FRAME CARTON FOR FRAME ASSEMBLY



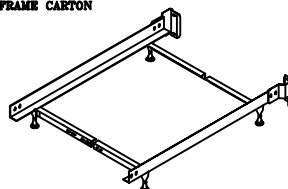
QUEEN - KING BED FRAME FULLY ASSEMBLED

NOTE: SEE INSTRUCTIONS INCLUDED IN FRAME CARTON FOR FRAME ASSEMBLY



QUEEN - KING HEADBOARD ONLY FRAME FULLY ASSEMBLED FRAMES

NOTE: SEE INSTRUCTIONS INCLUDED IN FRAME CARTON FOR FRAME ASSEMBLY



TWIN - FULL HEADBOARD ONLY FRAME FULLY ASSEMBLED

NOTE: SEE INSTRUCTIONS INCLUDED IN FRAME CARTON FOR FRAME ASSEMBLY

FOR ASSISTANCE IN ASSEMBLY ONLY OF THIS PRODUCT. CALL OUR HELP DESK AT 1-800-324-3415, BETWEEN 8:30 AM & 4:30 PM CENTRAL TIME MONDAY THRU FRIDAY. PLEASE HAVE THE STYLE NUMBER AVAILABLE BEFORE YOU CALL. (STYLE # OR NAME CAN BE FOUND ON PACKING CARTON OR SALES RECEIPT.) OUR PRODUCT IS INSPECTED TO ENSURE IT IS IN GOOD CONDITION. IF YOUR FURNITURE APPEARS TO HAVE BEEN DAMAGED IN SHIPMENT OR YOU ARE IN NEED OF REPLACEMENT PARTS PLEASE CONTACT THE DEALER FROM WHOM YOU PURCHASED THE PRODUCT.

Instruction Sheet

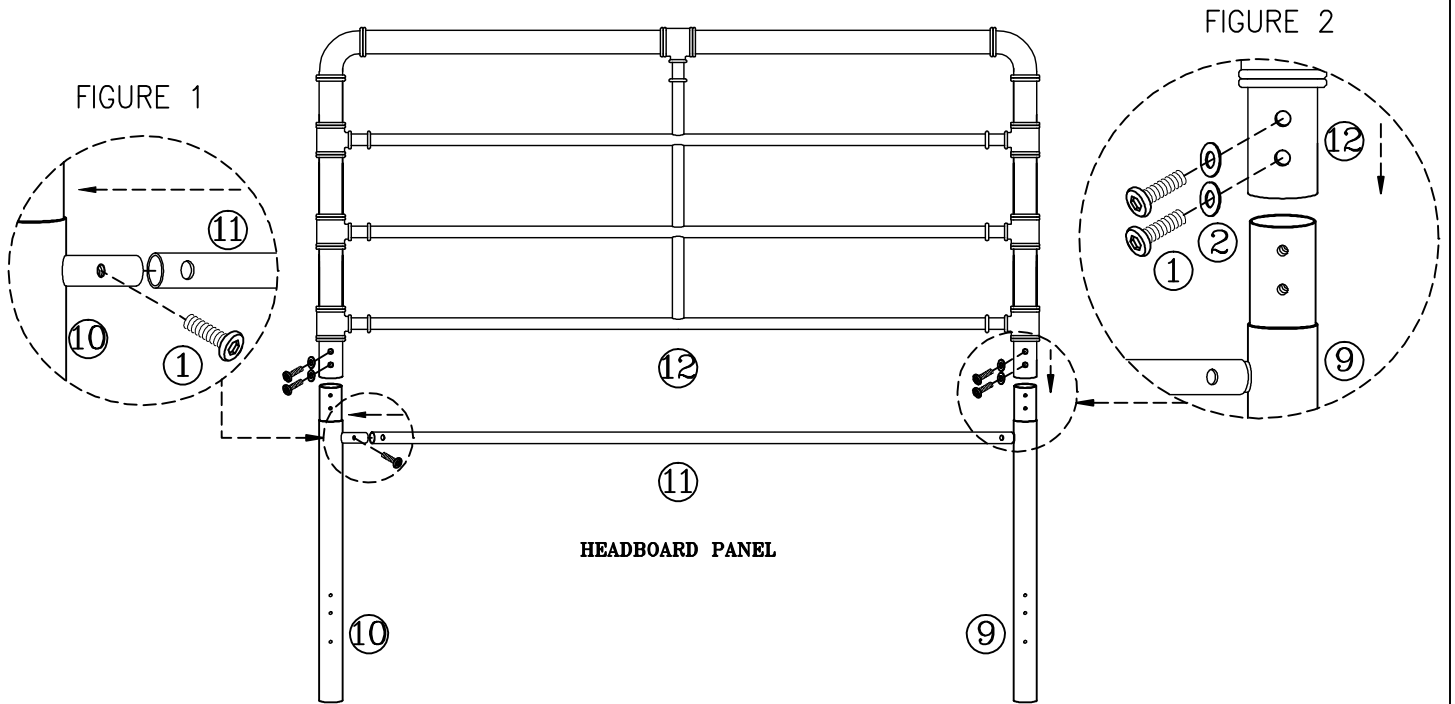
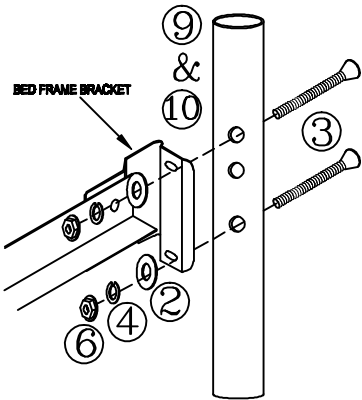


FIGURE 3



Step 1- Assembly of Headboard Support Rail.

- Insert headboard support rail (11) into welded rail on right Extension Leg (10). SEE FIGURE 1
- Secure headboard support rail (11) with screw (1) use Allen wrench (7) to tighten. SEE FIGURE 1
DO NOT TIGHTEN SCREWS COMPLETELY.
- Repeat same steps with left extension leg (9).

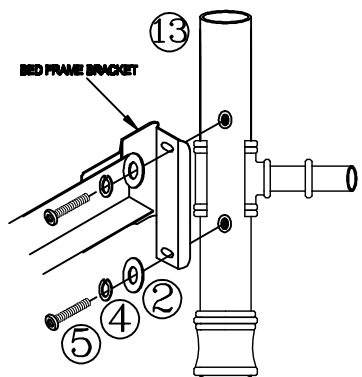
Step 2- Assembly of Extension Leg.

- Carefully place headboard panel (12) over left extension (9) and right extension leg (10). SEE FIGURE 2
- Secure headboard panel (12) with screw (1) and flat metal washer (2) use Allen wrench (7) to tighten screws completely.
NOW TIGHTEN ALL SCREWS (1) STEP 1 FIGURE 1

Step 3- Headboard Frame Assembly .

- Place headboard panel and frame in desired location in room.
- Place 2 screws (3) through holes located in left extension leg (9). SEE FIGURE 3
- Align bed frame bracket over screw (3).
- Place a flat metal washer (2), spring washer (4) and a hex nut (6) on each screw (3). DO NOT TIGHTEN SCREWS COMPLETELY
- Repeat same step with right extension leg (10).
- Tighten all screws (3) securely using Allen wrench (7) and open wrench (8).

FIGURE 4



Step 4- Footboard Frame Assembly .

- Position footboard panel (13) and align threaded insert on post with holes on bed frame bracket. SEE FIGURE 4
- Place flat metal washer (2) and spring washer (4) on each screw (5).
- Insert screw (5) through bracket and into footboard post.
DO NOT TIGHTEN SCREWS COMPLETELY
- Repeat same step on other side of footboard panel.
- Tighten all screws (5) securely using Allen wrench (7).