

FASHION BED GROUP®

A *Lovaldi & Platt* COMPANY

6755 W. 65th Street—Bedford Park, IL 60638

Parts List For Emsworth Canopy Bed

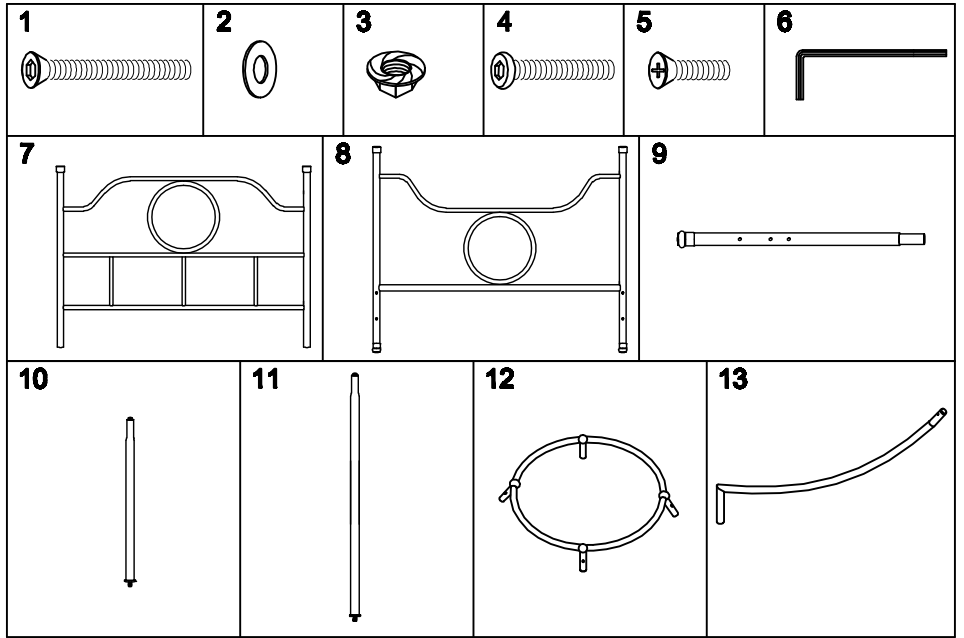
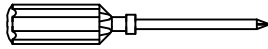
BED CARTON

- (7) HEADBOARD PANEL-1
- (8) FOOTBOARD PANEL-1
- (9) EXTENSION LEG-2
- (10) HEADBOARD CANOPY POST-2
- (11) FOOTBOARD CANOPY POST-2
- (12) CANOPY RING-1
- (13) CANOPY RAILS-4

HARDWARE BAG #407102

- (1) 1/4-20 X 1 3/4" COUNTERSUNK ALLEN HEAD SCREW-8
- (2) 1/4" ID X 5/8" OD FLAT METAL WSHR-8
- (3) 1/4-20 HEX LOCKING NUT-4
- (4) 1/4-20 X 1" FLAT ALLEN HEAD SCREW-4
- (5) 10-24 X 1/2" COUNTERSUNK PHILLIPS HEAD SCREW-4
- (6) 4MM ALLEN WRENCH-1

REQUIRED TOOLS:
PHILLIPS SCREW DRIVER
(NOT INCLUDED)



SAVE ALL PACKAGING MATERIALS UNTIL PRODUCT IS FULLY ASSEMBLED. HARDWARE AND SMALL PIECES MAY NOT BE SEEN AND COULD BE ACCIDENTALLY DISCARDED WITH PACKAGING MATERIALS.

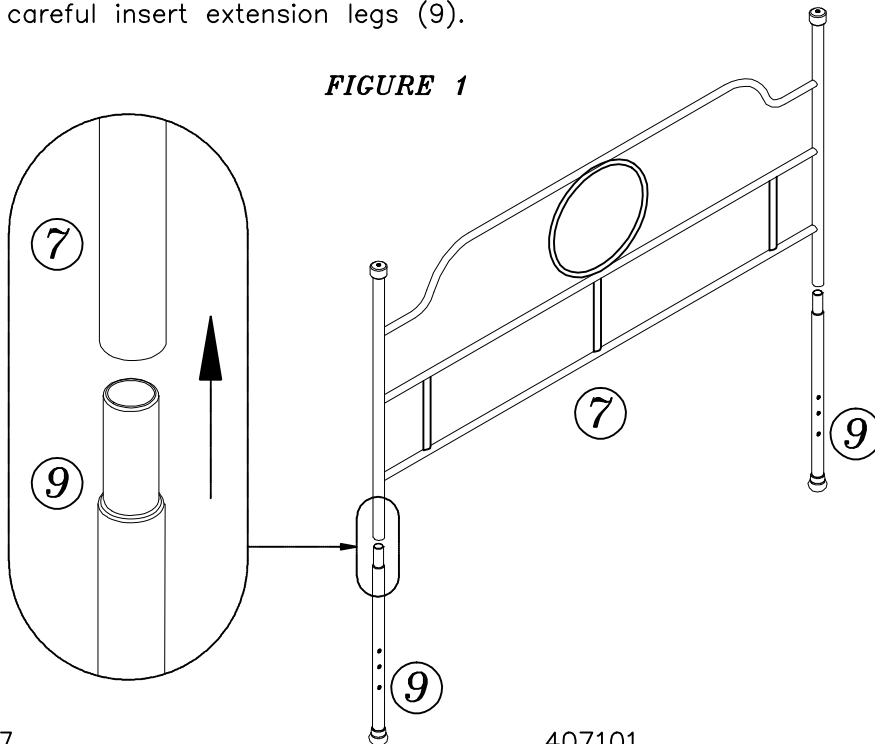
Instruction Sheet

NOTE: FOR EASY ASSEMBLY YOU NEED THE HELP OF OTHER PERSON.

STEP 1- Assembly of Extension Legs.

- Align top reduction of extension leg (9) with bottom of headboard panel (1). SEE FIGURE 1
- Make sure the 3 holes on extension legs (9) are perpendicular to the headboard panel (7).
- Now careful insert extension legs (9).

FIGURE 1



FOR ASSISTANCE IN ASSEMBLY ONLY OF THIS PRODUCT. CALL OUR HELP DESK AT 1-800-324-3415, BETWEEN 8:30 AM & 4:30 PM CENTRAL TIME MONDAY THRU FRIDAY. PLEASE HAVE THE STYLE NUMBER AVAILABLE BEFORE YOU CALL. (STYLE # OR NAME CAN BE FOUND ON PACKING CARTON OR SALES RECEIPT.) OUR PRODUCT IS INSPECTED TO ENSURE IT IS IN GOOD CONDITION. IF YOUR FURNITURE APPEARS TO HAVE BEEN DAMAGED IN SHIPMENT OR YOU ARE IN NEED OF REPLACEMENT PARTS PLEASE CONTACT THE DEALER FROM WHOM YOU PURCHASED THE PRODUCT.

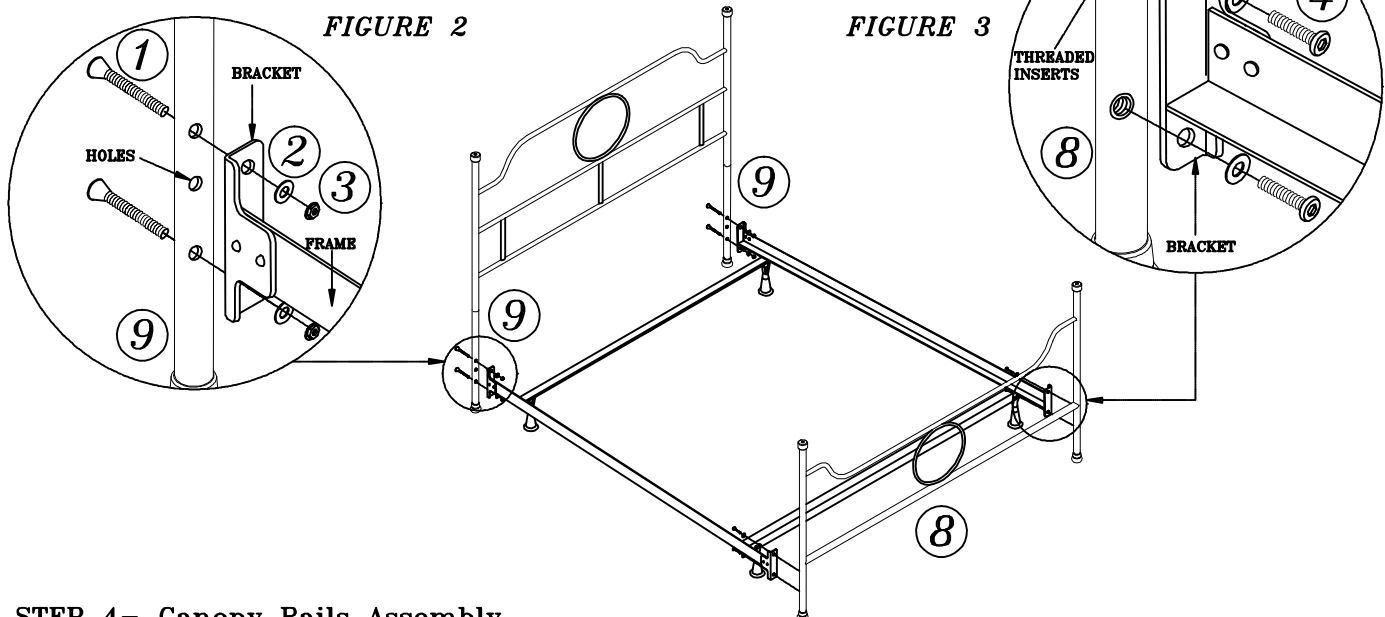
Instruction Sheet

STEP 2- Headboard Frame Assembly.

- Place headboard and frame in desired location in room.
- Place 2 screws (1) through holes located in extension leg (9). SEE FIGURE 2
- Align bed frame bracket over screws (1).
- Place flat metal washer (2) over screw first and then a hex nut (3) on each screw (1). DO NOT TIGHTEN SCREWS COMPLETELY
- Repeat on other side of headboard.
- Tighten all screws securely using Allen wrench (6).

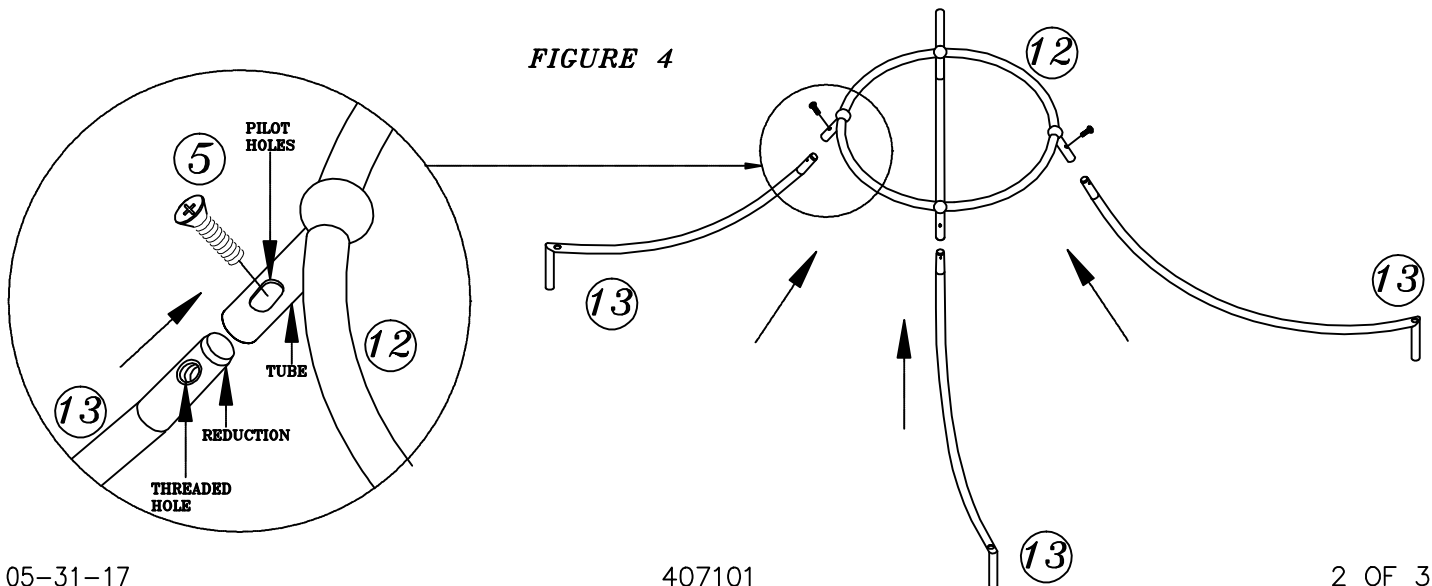
STEP 3- Footboard Frame Assembly.

- Position footboard panel (8) and align threaded inserts in the post with holes in the frame bracket. SEE FIGURE 3
- Place flat metal washer (2) on each screw (4) insert through frame bracket and into footboard post.
- DO NOT TIGHTEN SCREWS COMPLETELY
- Repeat on other side of footboard panel (8).
- Tighten all screws securely using Allen wrench (6).



STEP 4- Canopy Rails Assembly.

- Carefully insert canopy rails (13) reduction into metal tube on canopy ring (12). SEE FIGURE 4
- Align threaded holes on canopy rail (13) with pilot holes on canopy ring (12).
- Secure canopy rails (13) with screw (5). Use Phillips head screwdriver to tighten.



Instruction Sheet

STEP 5—Canopy Post and Canopy Assembly.

- Secure headboard canopy post (10) on top of headboard panel (7) post. SEE FIGURE 5
- Repeat same step with footboard canopy post (11).
- With the help of other person place canopy rails (13) over reduction on headboard canopy post (10) and footboard canopy post (11). SEE FIGURE 6
- Secure canopy rails (13) with screw (1) use Allen wrench (6) to tighten. SEE FIGURE 7

FIGURE 5

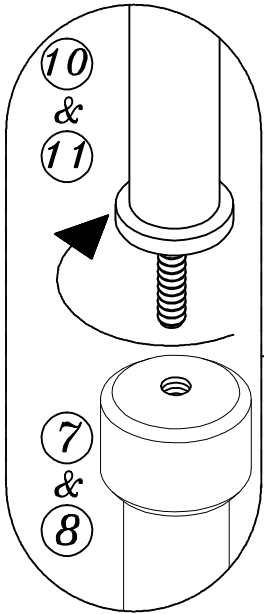


FIGURE 6

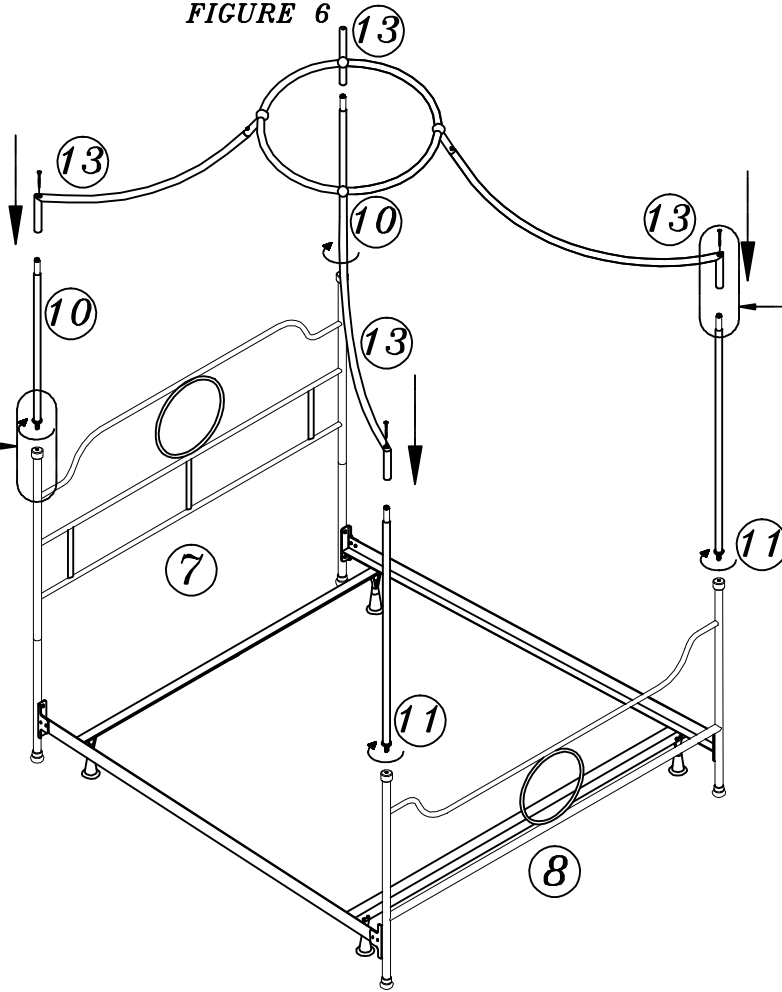
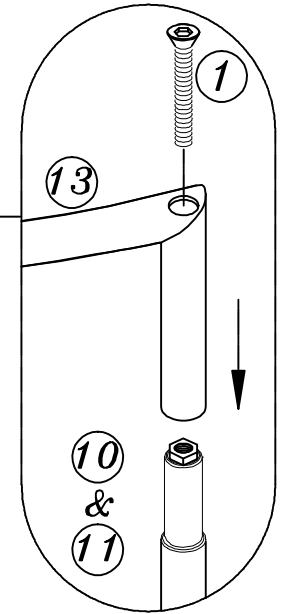


FIGURE 7



PRODUCT FULLY ASSEMBLED

