

leggett & platt®

fashion bed™

6755 W 65th Street Bedford Park, IL 60638

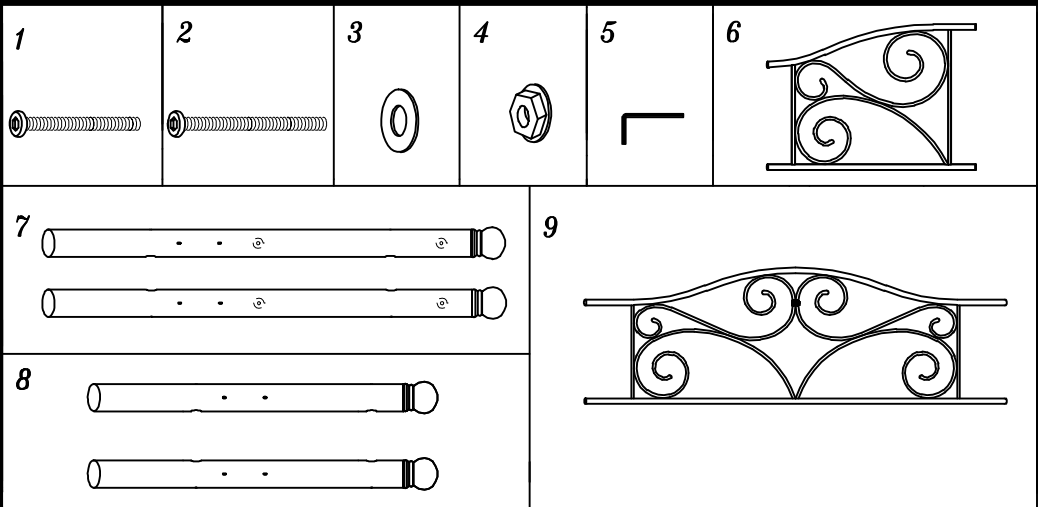
Parts List For Doral Daybed

PART #376701 HARDWARE BAG

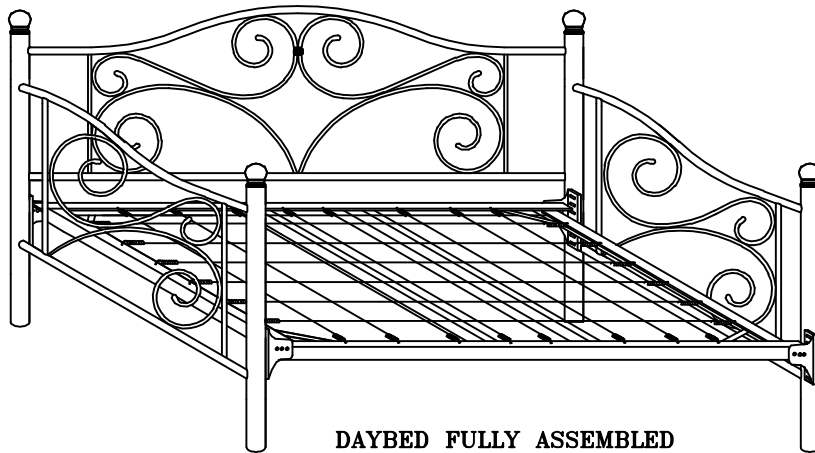
- (1) 1/4-20 3" FLAT ALLEN HEAD SCREW-12
- (2) 1/4-20 X 3 1/4" FLAT ALLEN HEAD SCREW-8
- (3) 1/4" ID X 5/8" OD FLAT METAL WASHER-8
- (4) 1/4-20 HEX NUT-8
- (5) ALLEN WRENCH-1

DAYBED PARTS:

- (6) SIDE PANEL GRILL-2
- (7) SIDE PANEL BACK POST-2
- (8) SIDE PANEL FRONT POST-2
- (9) BACK PANEL-1



SAVE ALL PACKAGING MATERIALS UNTIL PRODUCT IS FULLY ASSEMBLED. HARDWARE AND SMALL PIECES MAY NOT BE SEEN AND COULD BE ACCIDENTALLY DISCARDED WITH PACKAGING MATERIALS.



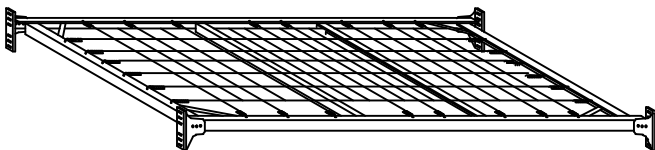
Instruction Sheet • For ease of assembly you will need a helper.
 • Periodically retighten all screws.

STEP 1- Locate hardware bag for Daybed & Link Spring Assembly.

- Hardware bag for daybed assembly is located inside the daybed box.
- Link spring – follow manufacturer instructions to assembly end brackets to link spring before attaching to daybed

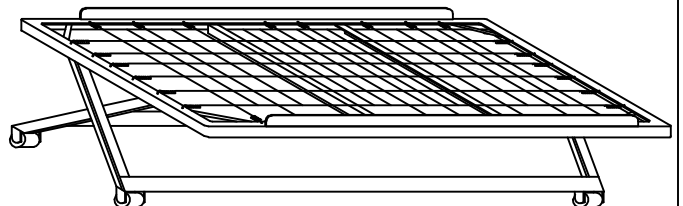
OPTIONAL

"LINK SPRING SOLD SEPARATELY"



LINK SPRING FULLY ASSEMBLED

"TRUNDLE UNIT SOLD SEPARATELY"



Instruction Sheet

Step 2- Assembly Side panel

- Align side panel rail ends (6) to holes in front post (8) and back post (7). SEE FIGURE 1
- Insert screw (1) through holes on opposite side of post.
- Secure post (6 & 7) with screw (1) use Allen wrench (5).

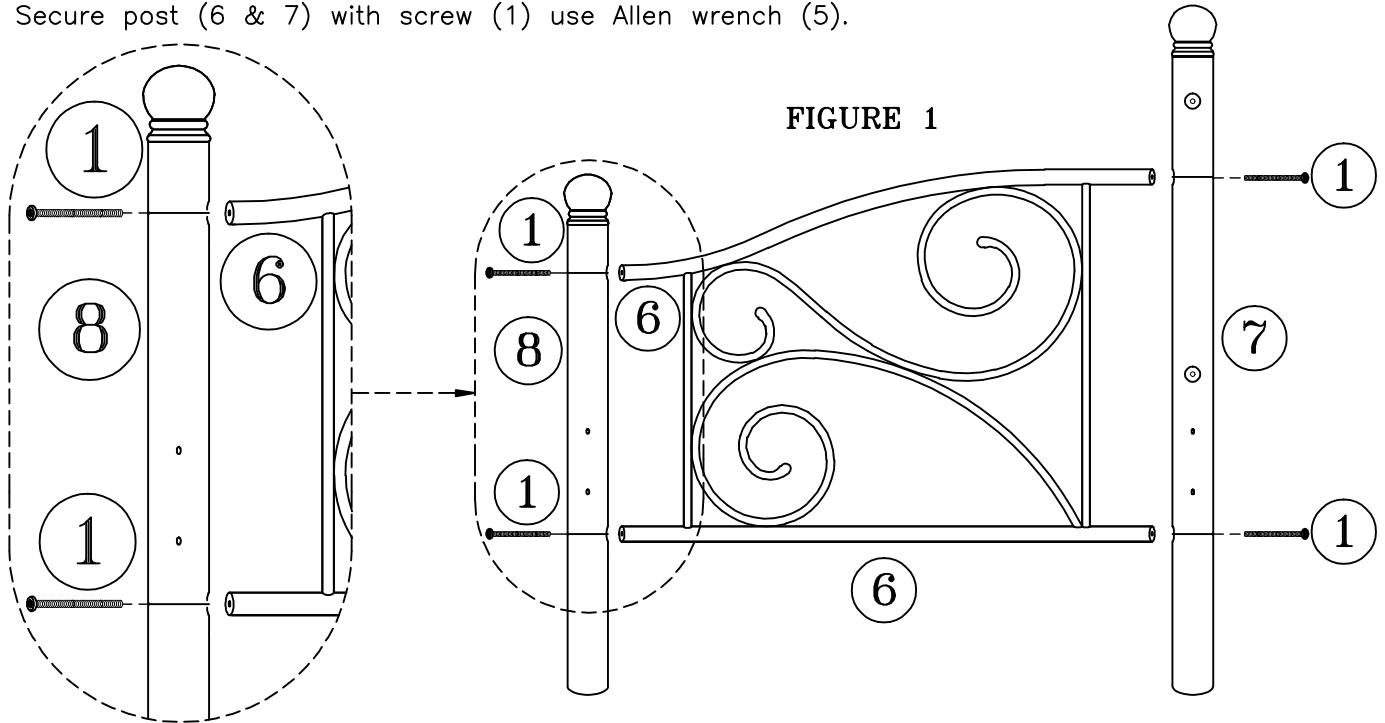


FIGURE 1

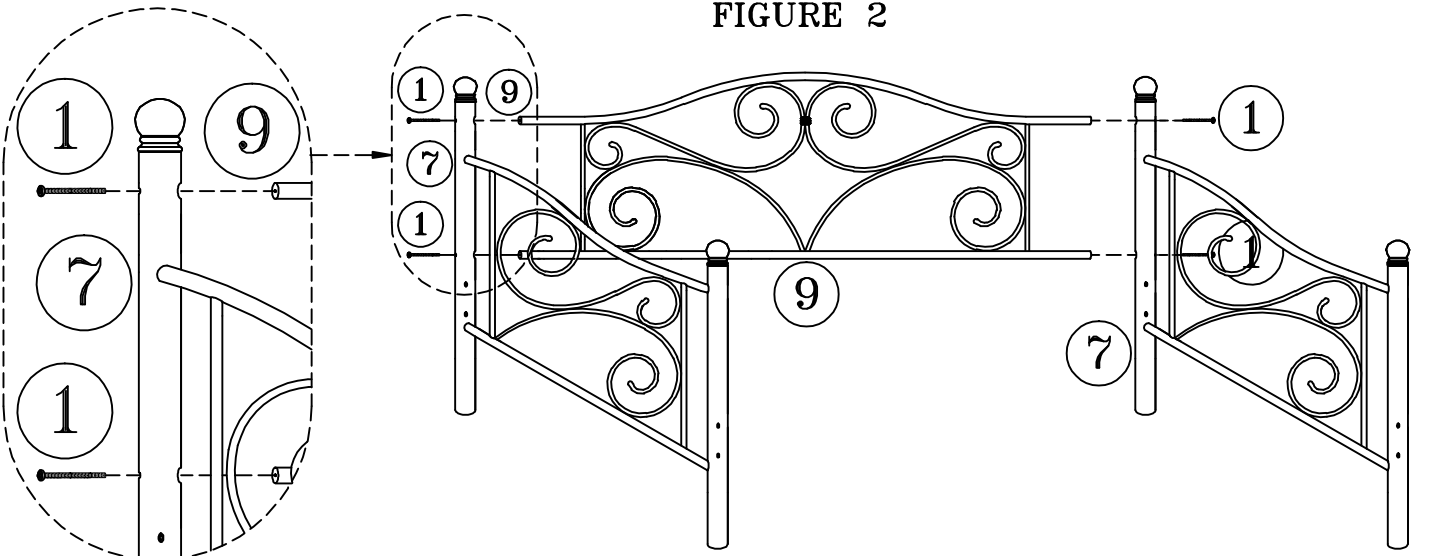
Step 3- Assembly Back panel

- Align back panel rails end (9) to holes in side panel back post (7). SEE FIGURE 2
- Insert screw (1) through holes on opposite side of post into back panel rails.
- Hand tighten. DO NOT TIGHTEN screws all the way use allen wrench (5).
- Repeat on other end of back panel.

NOTES:

- Do not tighten all screws until the mattress support system and the back panel of the daybed have been assembled to the side arms.
- After assembly of the mattress support system and the back panel to the sides tighten all connections
- Periodically retighten all screws.

FIGURE 2



Instruction Sheet

Step 4- Assembly Link Spring

- Bolt one end bracket of the mattress support system to one daybed side panel.
- For each post use 2 screws (2) 2 flat metal washers (3), and 2 hex nuts (4), loosely tighten. SEE FIGURE 3
- Repeat on the other daybed post.
- Tighten all screws with Allen wrench (5).
- You are ready now for mattress installation.

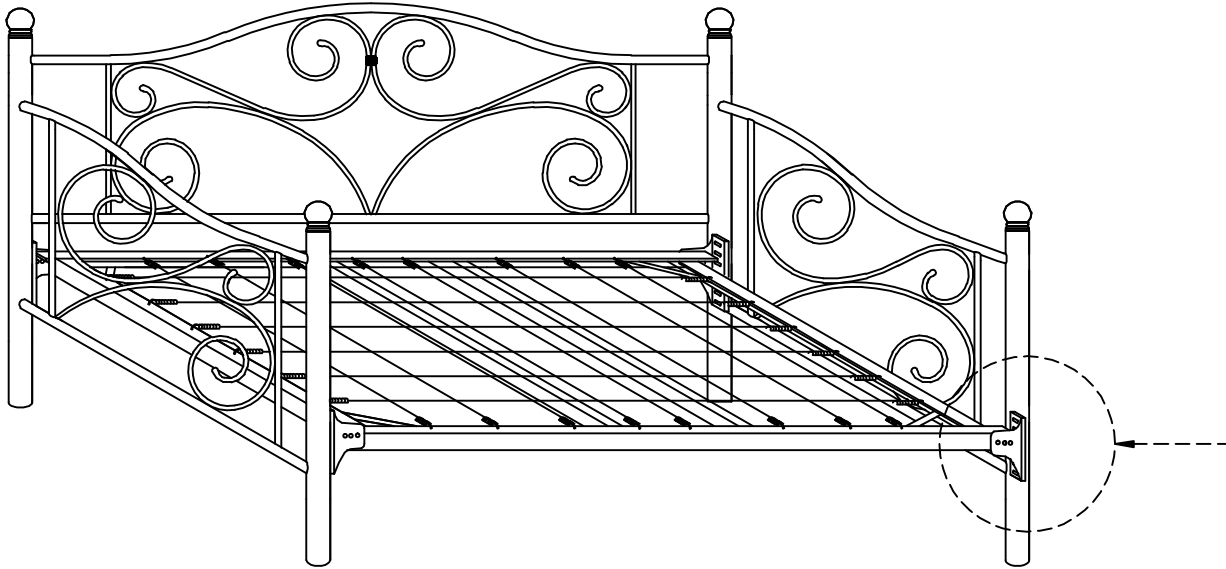
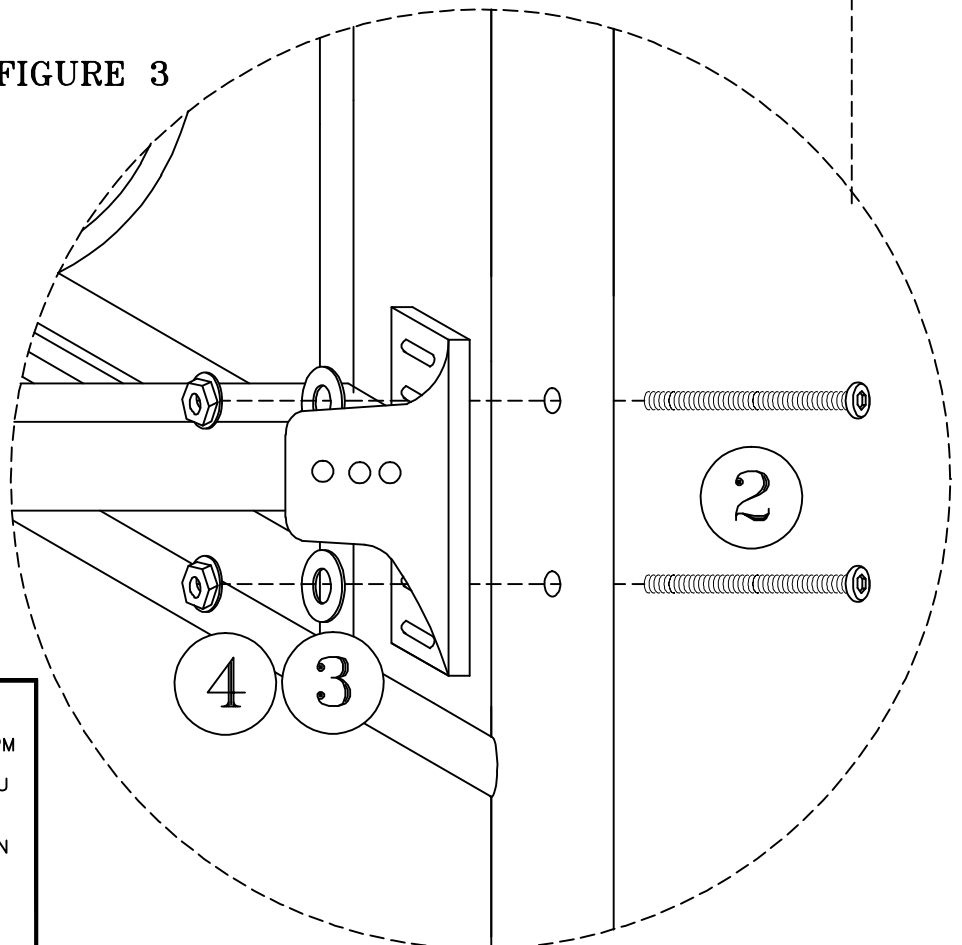


FIGURE 3



FOR ASSISTANCE IN ASSEMBLY ONLY OF THIS PRODUCT. CALL OUR HELP DESK AT 1-800-324-3415, BETWEEN 8:30 AM & 4:30 PM CENTRAL TIME MONDAY THRU FRIDAY. PLEASE HAVE THE STYLE NUMBER AVAILABLE BEFORE YOU CALL. (STYLE # OR NAME CAN BE FOUND ON PACKING CARTON OR SALES RECEIPT.) OUR PRODUCT IS INSPECTED TO ENSURE IT IS IN GOOD CONDITION. IF YOUR FURNITURE APPEARS TO HAVE BEEN DAMAGED IN SHIPMENT OR YOU ARE IN NEED OF REPLACEMENT PARTS PLEASE CONTACT THE DEALER FROM WHOM YOU PURCHASED THE PRODUCT.