

Fashion Bed Group

A Division of Leggett & Platt Incorporated
5950 West 51st Street - Chicago, IL 60638

Part List For Doral Bed

BED CARTONS

GRILL BOX

(5) GRILL (2)

POST BOX

(6) HEADBOARD POST(2)
(7) FOOTBOARD POST(2)

PART #360101 HARDWARE BAG FOR BED
GRILLS/POST AND FRAME ASSEMBLY

- (1) 1/4-20 X 3 1/2" LONG FLAT ALLEN HEAD SCREW-16
- (2) 1/4-20 HEX NUT-8
- (3) 5/8" OD METAL WASHER-8
- (4) ALLEN WRENCH

HEADBOARD CARTONS

GRILL BOX

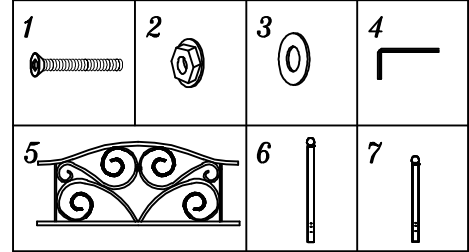
(5) GRILL (1)

POST BOX

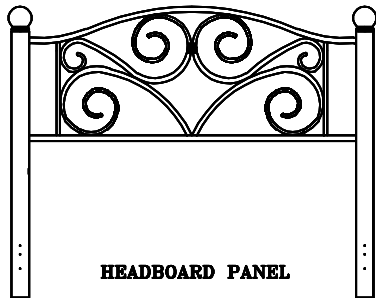
(6) HEADBOARD POST(2)

PART #360102 HARDWARE BAG FOR BED
GRILLS/POST AND FRAME ASSEMBLY

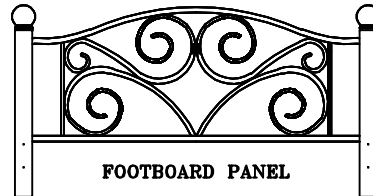
- (1) 1/4-20 X 3 1/2" LONG FLAT ALLEN HEAD SCREW-(8)
- (2) 1/4-20 HEX NUT-4
- (3) 5/8" OD METAL WASHER-4
- (4) ALLEN WRENCH



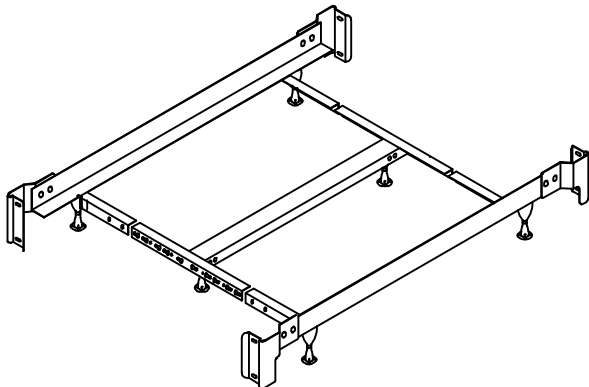
PRODUCT FULLY ASSEMBLED



HEADBOARD PANEL

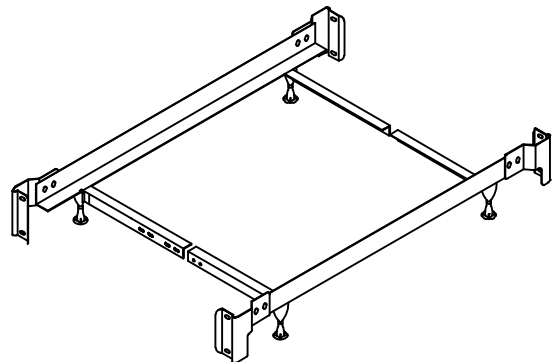


FOOTBOARD PANEL



QUEEN - KING FRAME FULLY ASSEMBLED

NOTE: SEE INSTRUCTIONS INCLUDED IN FRAME CARTON
FOR FRAME ASSEMBLY



TWIN - FULL FRAME FULLY ASSEMBLED

NOTE: SEE INSTRUCTIONS INCLUDED IN FRAME CARTON
FOR FRAME ASSEMBLY

FOR ASSISTANCE IN ASSEMBLY ONLY OF THIS
PRODUCT. CALL OUR HELP DESK AT
1-800-324-3415, BETWEEN 8:30 AM & 4:30 PM
CENTRAL TIME MONDAY THRU FRIDAY. PLEASE
HAVE THE STYLE NUMBER AVAILABLE BEFORE YOU
CALL. (STYLE # OR NAME CAN BE FOUND ON
PACKING CARTON OR SALES RECEIPT.)
OUR PRODUCT IS INSPECTED TO ENSURE IT IS IN
GOOD CONDITION. IF YOUR FURNITURE APPEARS
TO HAVE BEEN DAMAGED IN SHIPMENT OR YOU
ARE IN NEED OF REPLACEMENT PARTS PLEASE
CONTACT THE DEALER FROM WHOM YOU
PURCHASED THE PRODUCT.

Instruction Sheet

SAVE ALL PACKAGING MATERIALS UNTIL PRODUCT IS FULLY ASSEMBLED. HARDWARE AND SMALL PIECES MAY NOT BE SEEN AND BE ACCIDENTALLY DISCARDED WITH PACKAGING MATERIALS.

FIGURE 1

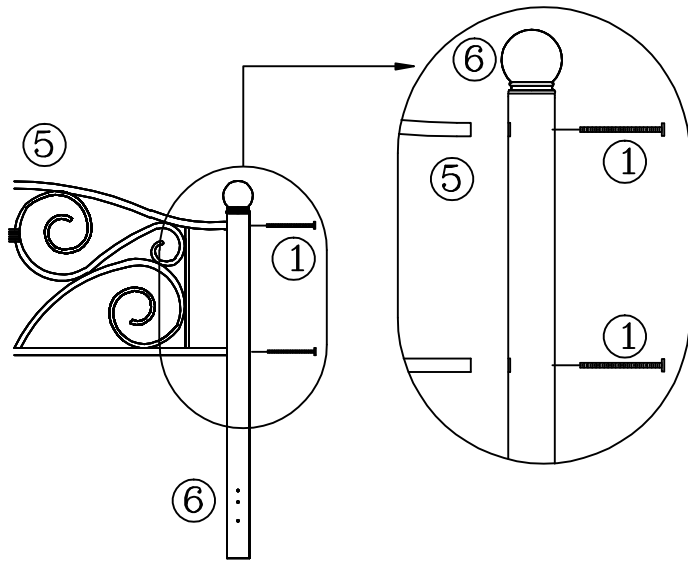


FIGURE 2

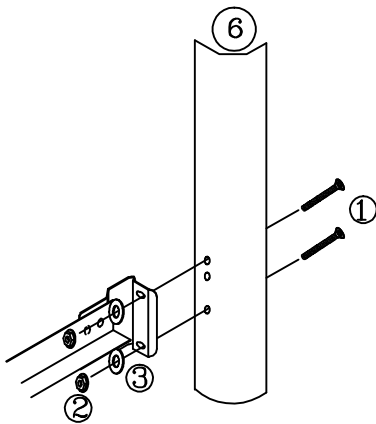
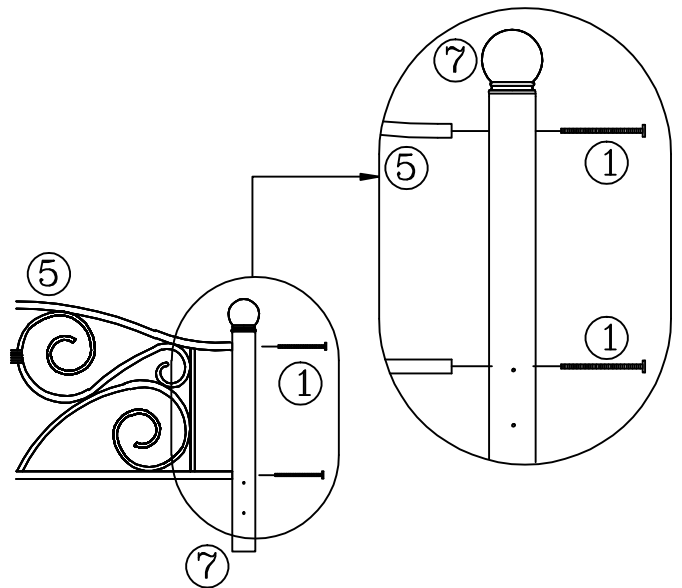


FIGURE 3

Step 1

- Align grill (5) rail ends with holes in headboard post (6). See Figure 1
- Secure post (6) to grill (5) with screws (1). See Figure 1
- Repeat on other side of headboard panel.
- Tighten all screws securely using the Allen wrench.
- Repeat same step for assembly of footboard. (See Figure 2)

Step 2

- Place headboard and frame in desired location in room.
- Place 2 screws (1) through holes located in post (6). (See Figure 3)
- **Align bed frame bracket over screws.**
- Place a washer (3) first and then a nut (2) on each screw. Hand-tighten, DO NOT TIGHTEN screws all the way.
- Repeat on other side of headboard.
- Tighten all screws securely using the Allen wrench (4).

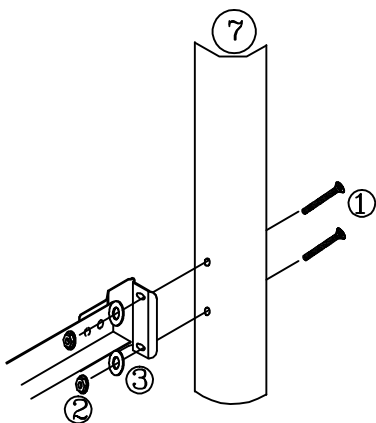


FIGURE 4

Step 3

- Position footboard panel and align holes in the post (7) with holes in the frame bracket. See Figure 4
- Place 2 screws (1) through holes located in post (7). (See Figure 4)
- **Align bed frame bracket over screws.**
- Place a washer (3) first and then a nut (2) on each screw. Hand-tighten, DO NOT TIGHTEN screws all the way.
- Repeat on other side of footboard.
- Tighten all screws securely using the Allen wrench (4).