

**leggett & platt®**

**fashion home™**

6755 W. 65th Street Bedford Park, IL 60638

**Parts List For Stool #C1M010**

**Parts List For Stool #C1M016**

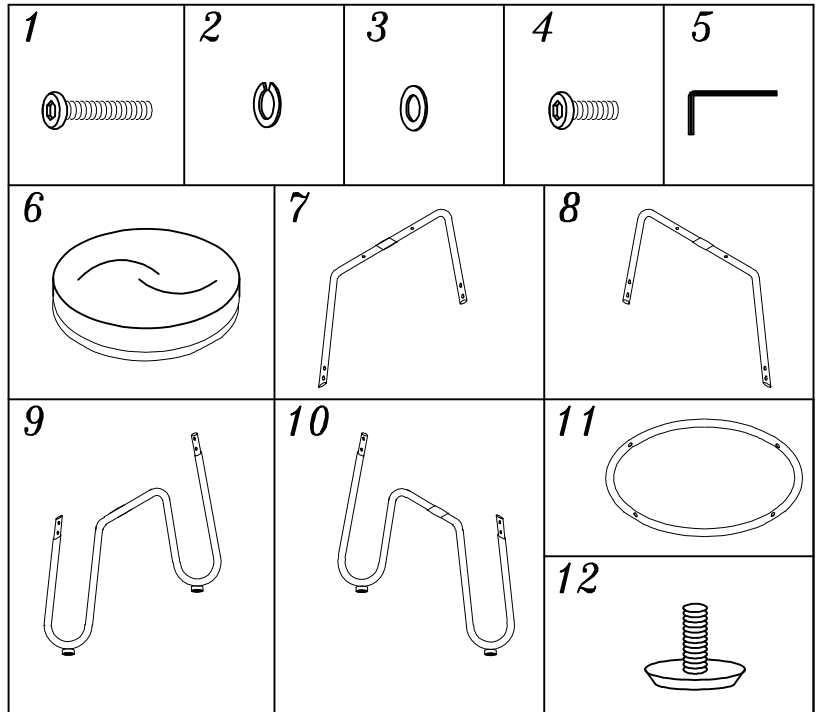
**STOOL CARTON**

- (6) SEAT-1
- (7) BOTTOM LEG PANEL-1
- (8) TOP LEG PANEL-1
- (9) TOP PART OF LEG PANEL (7)-1
- (10) TOP PART OF LEG PANEL (8)-1
- (11) FOOT REST METAL RING-1

**PART #391602 HARDWARE BAG**

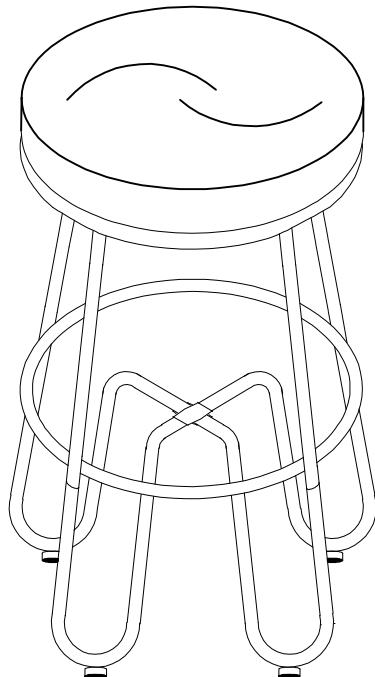
- (1) 1/4-20 X 1" FLAT ALLEN HEAD SCREW-8
- (2) 1/4" ID METAL SPRING WASHER-4
- (3) 1/4" ID X 1/2" OD FLAT METAL WASHER-4
- (4) 1/4-20 X 1/2" FLAT ALLEN HEAD SCREW-4
- (5) ALLEN WRENCH-1

- (12) ADJUSTABLE GLIDE -4 #391603 (PRE-INSTALLED)



SAVE ALL PACKAGING MATERIALS UNTIL PRODUCT IS FULLY ASSEMBLED. HARDWARE AND SMALL PIECES MAY NOT BE SEEN AND COULD BE ACCIDENTALLY DISCARDED WITH PACKAGING MATERIALS.

**PRODUCT FULLY ASSEMBLED**

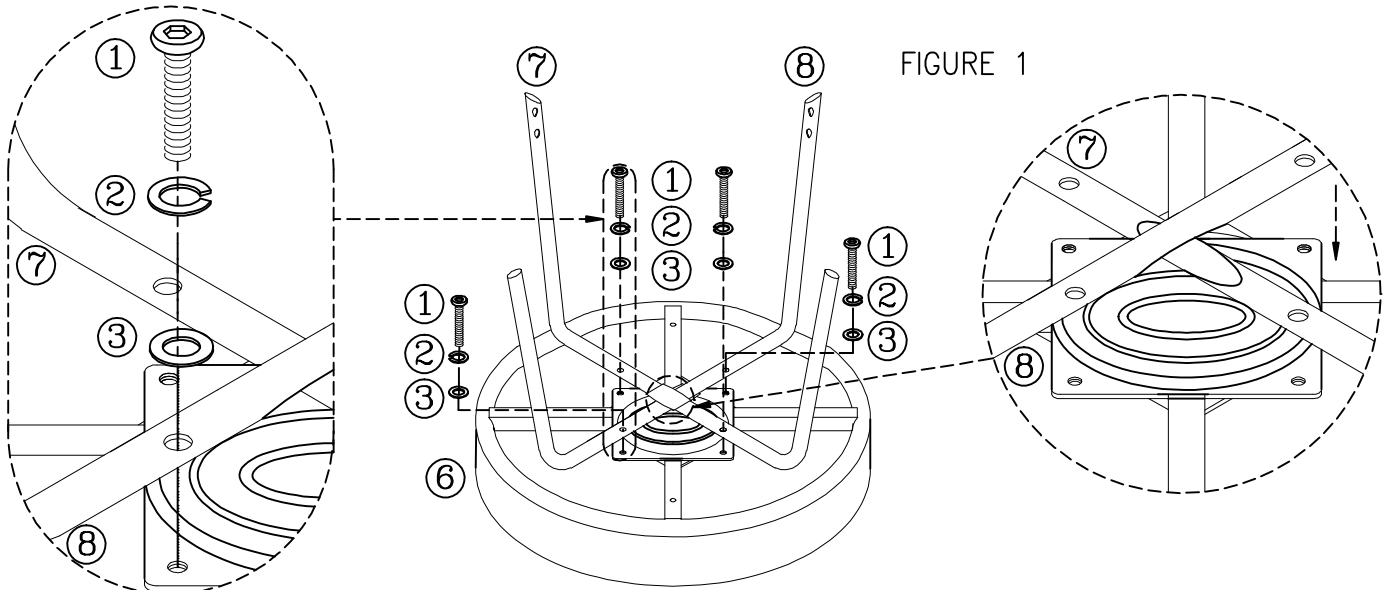


FOR ASSISTANCE IN ASSEMBLY ONLY OF THIS PRODUCT, CALL OUR HELP DESK AT 1-800-324-3415, BETWEEN 8:30 AM & 4:30 PM CENTRAL TIME MONDAY THROUGH FRIDAY. PLEASE HAVE THE STYLE NUMBER AVAILABLE BEFORE YOU CALL. (STYLE # OR NAME CAN BE FOUND ON PACKING CARTON OR SALES RECEIPT.) OUR PRODUCT IS INSPECTED TO ENSURE IT IS IN GOOD CONDITION. IF YOUR FURNITURE APPEARS TO HAVE BEEN DAMAGED IN SHIPMENT OR YOU ARE IN NEED OF REPLACEMENT PARTS PLEASE CONTACT THE DEALER FROM WHOM YOU PURCHASED THE PRODUCT.

# Instruction Sheet

## Step 1- Assembly of Bottom Parts of Legs Panels to Seat

- Align holes on bottom leg panel (7) with threaded holes on swivel plate. SEE FIGURE 1
- Secure leg panel (7) with screw (1), spring washer (2) and flat metal washer (3). Finger tighten screws.
- Place top leg panel (8) over bottom leg panel (7) and secure with screw (1), spring washer (2) and flat metal washer (3). DO NOT TIGHT SCREWS COMPLETELY



## Step 2-Assembly of Top Part of Legs to Bottom and Top Leg.

- Align reduction on top part of leg (9) with metal tube of bottom of leg (7). SEE FIGURE 2
- Carefully insert reduction into metal tube and secure with screw (4) into top holes of leg panel. Finger tighten screws.
- Repeat same steps with legs (8 & 10) and secure with screw (4). DO NOT TIGHT SCREWS COMPLETELY

## Step 3- Assembly of Foot Rest Metal Ring.

- Place bar stool legs on flat surface. SEE FIGURE 3
  - Place foot rest metal ring (11) between legs panels (7 & 8), align pilot holes on foot rest metal ring (11) with threaded holes on legs (9 & 10). Secure foot rest metal ring (11) into legs panel (7 & 8) with screw (1). Tighten screws with Allen wrench (5). SEE FIGURE 2
- NOW TIGHTEN SCREWS (1) COMPLETELY FROM STEP 1 (FIGURE 1) AND SCREW (4) FRONT STEP 2 (FIGURE 2)

