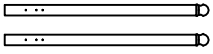
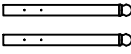
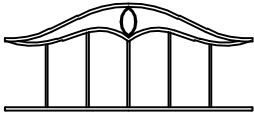
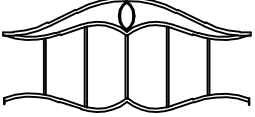







leggett & platt®

fashion bed™

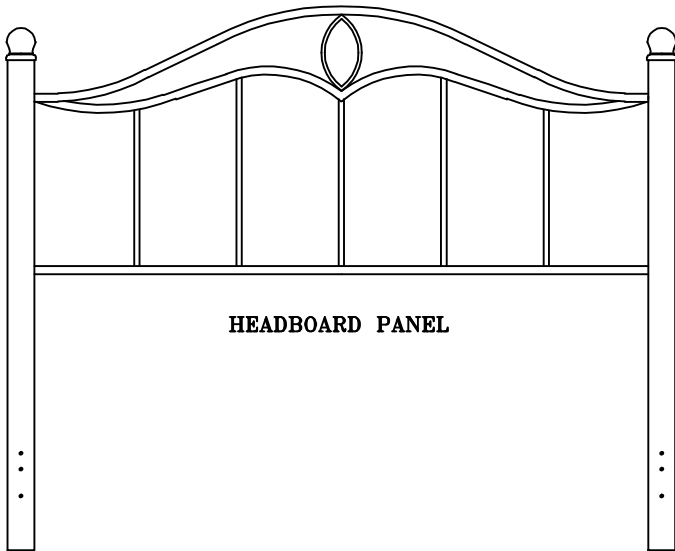
6755 W. 65th Street-Bedford Park, IL 60638

Parts List For Cassidy Bed

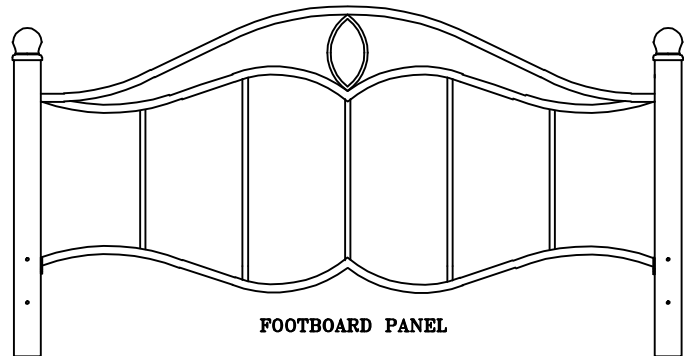
BED CARTONS		HEADBOARD CARTONS				
POST BOX (1) HEADBOARD POST-2 (2) FOOTBOARD POST-2 PART #384902 HARDWARE FOR GRILLS ATTACHMENT (5) 6MM X 90MM FLAT ALLEN HEAD SCREW-6 (6) 6MM X 18MM FLAT ALLEN HEAD SCREW-2 (7) 4MM ALLEN WRENCH-1		POST BOX (1) HEADBOARD POST-2 PART #384904 HARDWARE FOR GRILLS ATTACHMENT (5) 6MM X 90MM FLAT ALLEN HEAD SCREW-4 (7) 4MM ALLEN WRENCH-1				
GRILLS BOX (3) HEADBOARD GRILL-1 (4) FOOTBOARD GRILL-1 PART #384903 HARDWARE FOR FRAME ATTACHMENT (5) 6MM X 90MM FLAT ALLEN HEAD SCREW-8 (8) 6MM ID X 10MM OD FLAT METAL WASHER-16 (9) 6MM HEX NUTS-8 (7) 4MM ALLEN WRENCH-1		GRILLS BOX (3) HEADBOARD GRILL-1 PART #384905 HARDWARE FOR FRAME ATTACHMENT (5) 6MM X 90MM FLAT ALLEN HEAD SCREW-4 (8) 6MM ID X 10MM OD FLAT METAL WASHER-8 (9) 6MM HEX NUTS-4 (7) 4MM ALLEN WRENCH-1				
		1 	2 			
		3 	4 			
		5 	6 	7 	8 	9 

SAVE ALL PACKAGING MATERIALS UNTIL PRODUCT IS FULLY ASSEMBLED. HARDWARE AND SMALL PIECES MAY NOT BE SEEN AND COULD BE ACCIDENTALLY DISCARDED WITH PACKAGING MATERIALS.

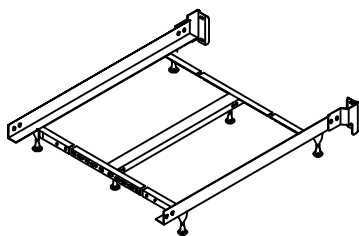
PRODUCT FULLY ASSEMBLED



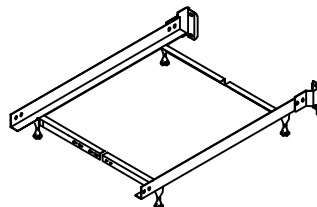
HEADBOARD PANEL



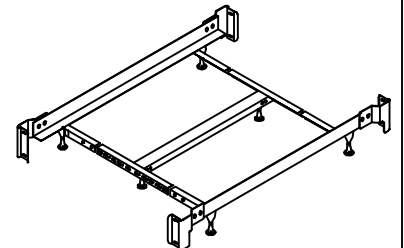
FOOTBOARD PANEL



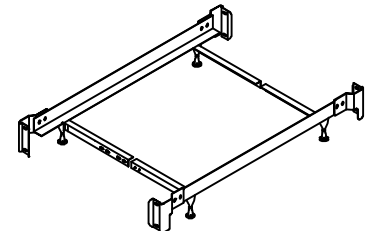
QUEEN - KING HEADBOARD ONLY FRAME FULLY ASSEMBLED FRAMES
NOTE: SEE INSTRUCTIONS INCLUDED IN FRAME CARTON FOR FRAME ASSEMBLY



TWIN - FULL HEADBOARD ONLY FRAME FULLY ASSEMBLED
NOTE: SEE INSTRUCTIONS INCLUDED IN FRAME CARTON FOR FRAME ASSEMBLY



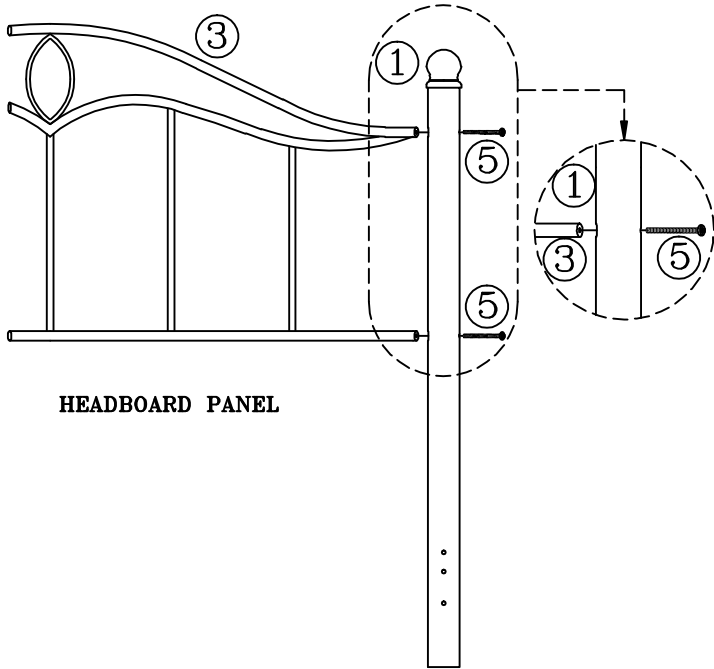
QUEEN - KING BED FRAME FULLY ASSEMBLED
NOTE: SEE INSTRUCTIONS INCLUDED IN FRAME CARTON FOR FRAME ASSEMBLY



TWIN - FULL BED FRAME FULLY ASSEMBLED
NOTE: SEE INSTRUCTIONS INCLUDED IN FRAME CARTON FOR FRAME ASSEMBLY

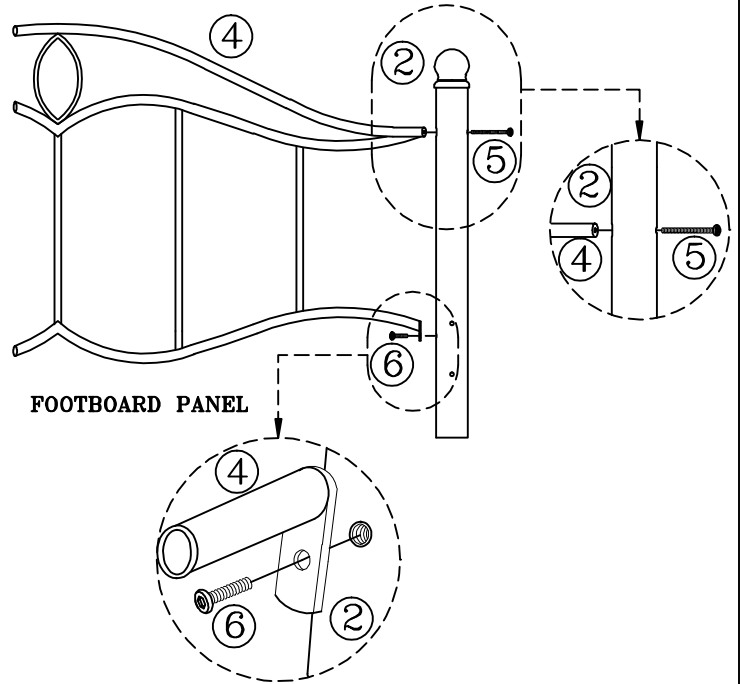
Instruction Sheet

FIGURE 1



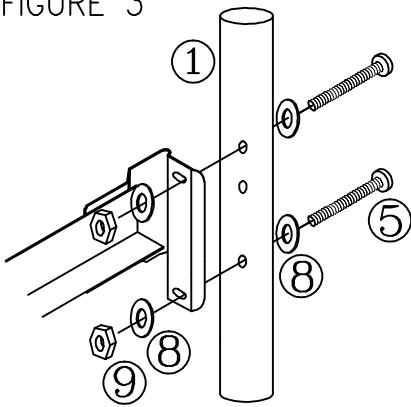
HEADBOARD PANEL

FIGURE 2



FOOTBOARD PANEL

FIGURE 3



STEP 1- Assembly of Headboard Panel.

- Align headboard grill (3) rail ends with holes in headboard post (1). SEE FIGURE 1
- Secure post (1) to headboard grill (3) with screw (5). Finger tight screws.
- Repeat on other side of headboard panel.
- Tighten all screws (5) securely using the Allen wrench (7).

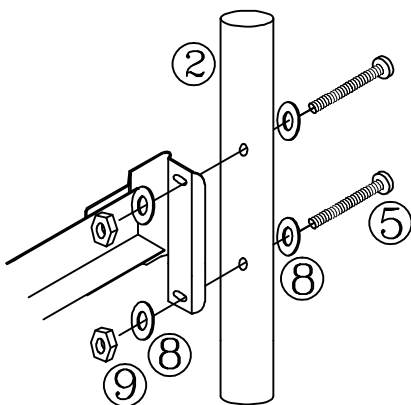
STEP 2- Assembly of Footboard Panel.

- Align footboard grill (4) top rail end with holes in footboard post (2). SEE FIGURE 2
- Secure post (2) to footboard grill (4) top rail with screw (5). Finger tight screws.
- Align footboard grill (4) bottom rail metal bracket with threaded insert on footboard post (2).
- Secure footboard bottom rail to footboard post (2) with screw (6). SEE FIGURE 2
- Tighten screws (5) and (6) securely using the Allen wrench (7).

STEP 3- Assembly of Headboard Panel to Frame.

- Place headboard panel and frame in desired location in room.
- Insert flat metal washer (8) on screw (5).
- Insert screw through holes on headboard post (1). SEE FIGURE 3
- Align bed frame bracket over screws
- Place a flat metal washer (8) first and then a hex nut (9). Finger tighten
- DO NOT TIGHTEN SCREWS COMPLETELY
- Repeat on other side of headboard.
- Tighten all screws (5) securely using Allen wrench (7).

FIGURE 4



STEP 4- Assembly of Footboard Panel to Frame.

- Position footboard panel and align holes in the post (2) with holes in the frame bracket. SEE FIGURE 4
- Insert flat metal washer (8) on screw (5).
- Insert screw through holes on footboard post (2). SEE FIGURE 4
- Align bed frame bracket over screws
- Place a flat metal washer (8) first and then a hex nut (9). Finger tighten screw.
- DO NOT TIGHTEN SCREWS COMPLETELY
- Repeat on other side of footboard.
- Tighten all screws (5) securely using Allen wrench (7).

FOR ASSISTANCE IN ASSEMBLY ONLY OF THIS PRODUCT. CALL OUR HELP DESK AT 1-800-324-3415, BETWEEN 8:30 AM & 4:30 PM CENTRAL TIME MONDAY THROUGH FRIDAY. PLEASE HAVE THE STYLE NUMBER AVAILABLE BEFORE YOU CALL. (STYLE # OR NAME CAN BE FOUND ON PACKING CARTON OR SALES RECEIPT.) OUR PRODUCT IS INSPECTED TO ENSURE IT IS IN GOOD CONDITION. IF YOUR FURNITURE APPEARS TO HAVE BEEN DAMAGED IN SHIPMENT OR YOU ARE IN NEED OF REPLACEMENT PARTS PLEASE CONTACT THE DEALER FROM WHOM YOU PURCHASED THE PRODUCT.