

leggett & platt®

fashion bed™

6755 W. 65th Street Bedford Park, IL 60638
Parts List For Calvados Bed

HEADBOARD CARTON

- (1) HEADBOARD PANEL-1
- (2) FOOTBOARD PANEL-1

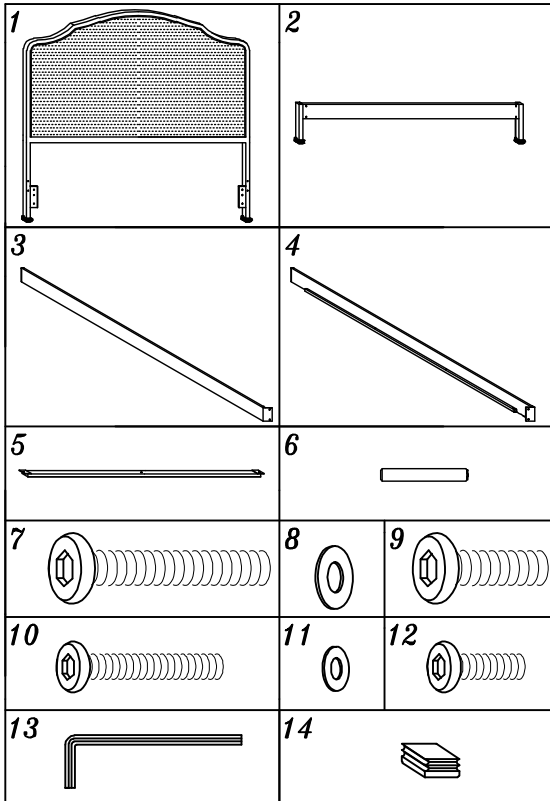
SIDE RAIL CARTON

- (3) LEFT SIDE RAIL -1
- (4) RIGHT SIDE RAIL-1
- (5) CROSS RAILS -4
- (6) SUPPORT LEGS-4

PART #387802 HARDWARE BAG

- (7) 5/16-18 X 1 3/4" FLAT ALLEN HEAD SCREW-4
- (8) 5/16" ID X 3/4" OD FLAT METAL WASHERS-8
- (9) 5/16-18 X 3/4" FLAT ALLEN HEAD SCREW-4
- (10) 1/4-20 X 1 1/2" FLAT ALLEN HEAD SCREW-4
- (11) 1/4" ID X 5/8" OD FLAT METAL WASHER-12
- (12) 1/4" -20 X 3/4" FLAT ALLEN HEAD SCREW-8
- (13) 5MM ALLEN WRENCH-1
- (14) PLASTIC GLIDE-4 #362102

NOTE: PLASTIC GLIDE PRE-INSTALLED



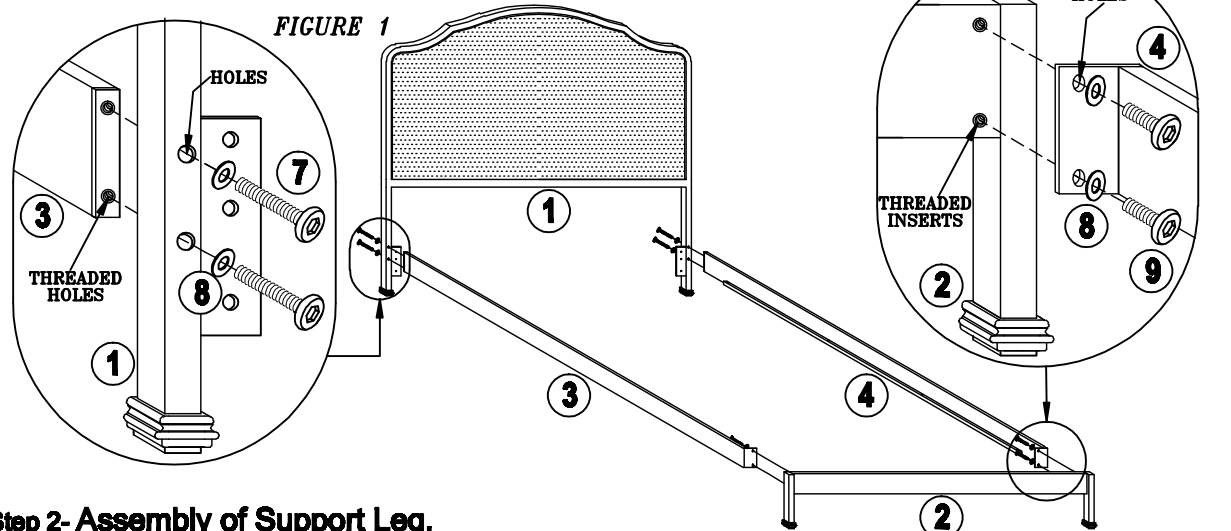
Instruction Sheet

SAVE ALL PACKAGING MATERIALS UNTIL PRODUCT IS FULLY ASSEMBLED. HARDWARE AND SMALL PIECES MAY NOT BE SEEN AND COULD BE ACCIDENTALLY DISCARDED WITH PACKAGING MATERIALS.

Step 1- Assembly of Side Rails.

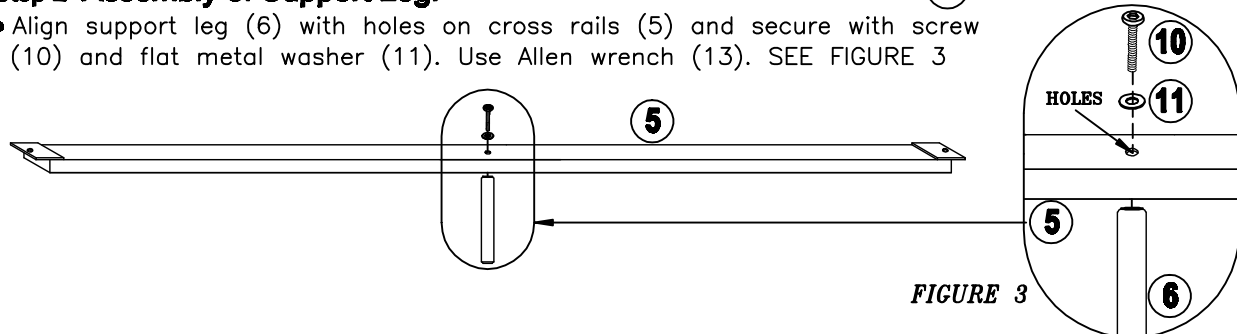
NOTE: FOR EASY ASSEMBLY YOU NEED THE HELP OF OTHER PERSON.

- Align holes on headboard panel (1) post with threaded holes on left side rail (3). SEE FIGURE 1
- Secure left side rail (3) with screw (7) and flat metal washer (8).
- Tighten screw (7) securely with Allen wrench (13). DO NOT TIGHTEN SCREWS COMPLETELY
- Repeat same steps with other headboard post.
- Align holes on right side rail (4) metal bracket with threaded insert on footboard panel (2). SEE FIGURE 2
- Secure left side rail (4) with screw (9) and flat metal washer (8). Use Allen wrench (13).
- Repeat same steps with left side rail (3).
- Now tighten screw (7) completely. SEE FIGURE 1



Step 2- Assembly of Support Leg.

- Align support leg (6) with holes on cross rails (5) and secure with screw (10) and flat metal washer (11). Use Allen wrench (13). SEE FIGURE 3



Instruction Sheet

Step 3- Assembly of Cross rails.

- Place slats (5) between left side rail (3) and right side rails (4). SEE FIGURE 4
- Align holes on cross rails (5) with threaded holes on side rails (3 &4) cleat.
- Secure cross rails (5) to a cleat on side rails (3 & 4) with screw (12) and flat metal washer (11).
- Use Allen wrench (13).

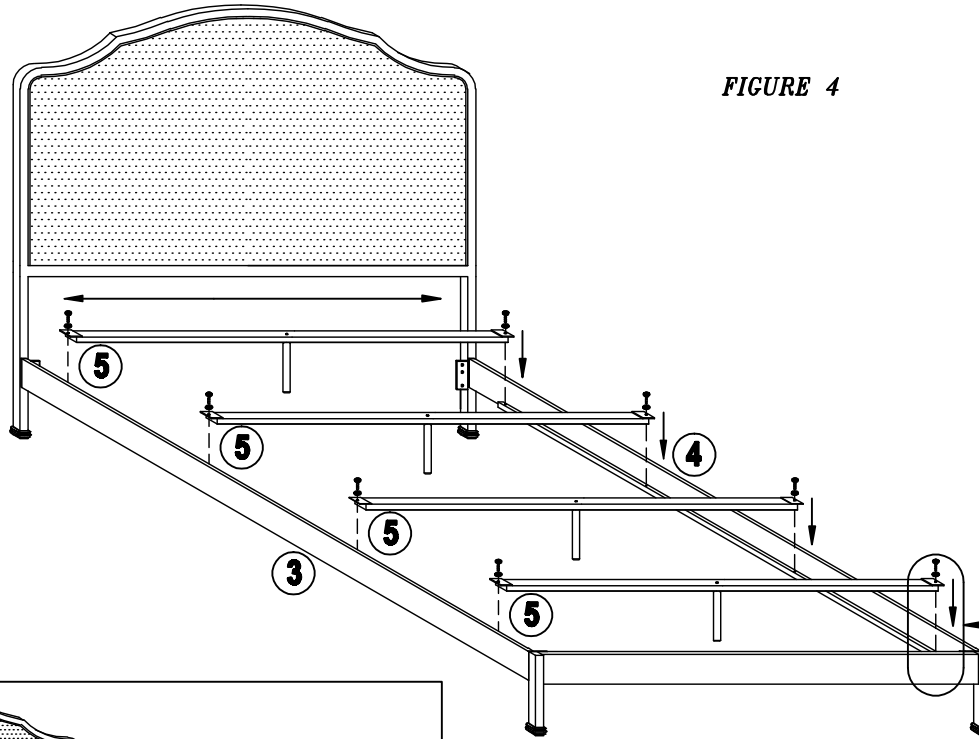
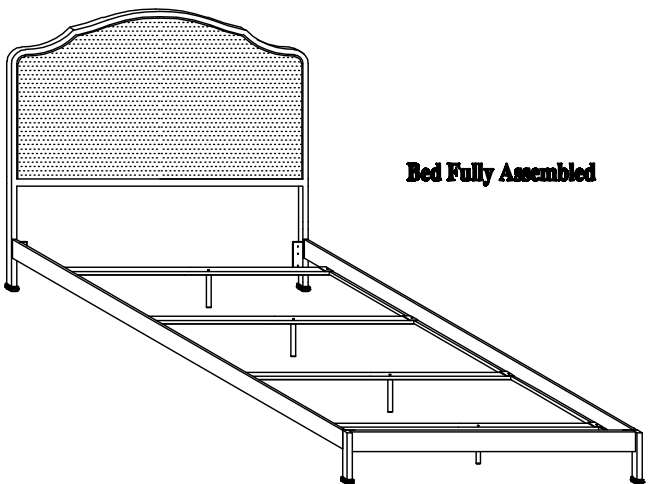
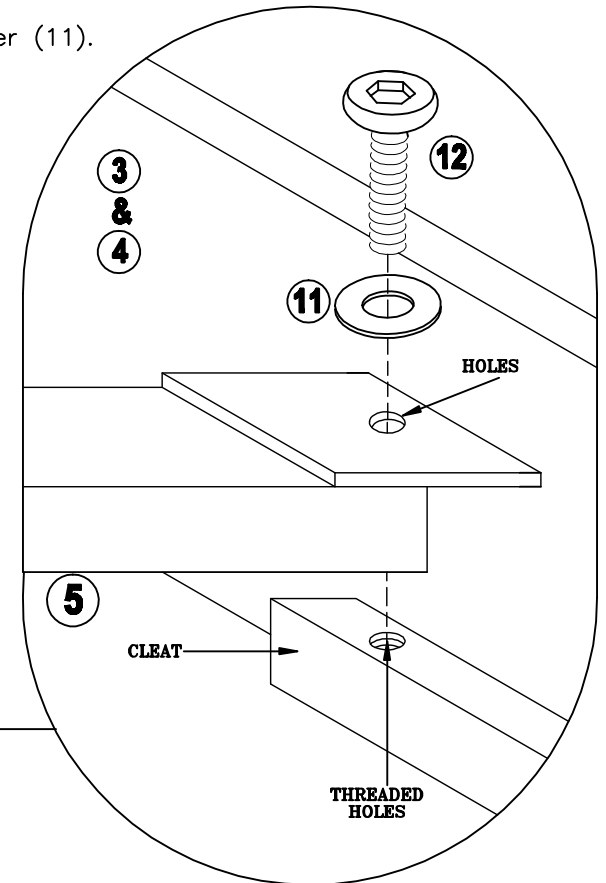


FIGURE 4



Bed Fully Assembled

FOR ASSISTANCE IN ASSEMBLY ONLY OF THIS PRODUCT. CALL OUR HELP DESK AT 1-800-324-3415, BETWEEN 8:30 AM & 4:30 PM CENTRAL TIME MONDAY THROUGH FRIDAY. PLEASE HAVE THE STYLE NUMBER AVAILABLE BEFORE YOU CALL. (STYLE # OR NAME CAN BE FOUND ON PACKING CARTON OR SALES RECEIPT.) OUR PRODUCT IS INSPECTED TO ENSURE IT IS IN GOOD CONDITION. IF YOUR FURNITURE APPEARS TO HAVE BEEN DAMAGED IN SHIPMENT OR YOU ARE IN NEED OF REPLACEMENT PARTS PLEASE CONTACT THE DEALER FROM WHOM YOU PURCHASED THE PRODUCT.