

leggett & platt®

fashion home™

6755 W. 65th Street Bedford Park, IL 60638

Parts List For Stool # C1M130

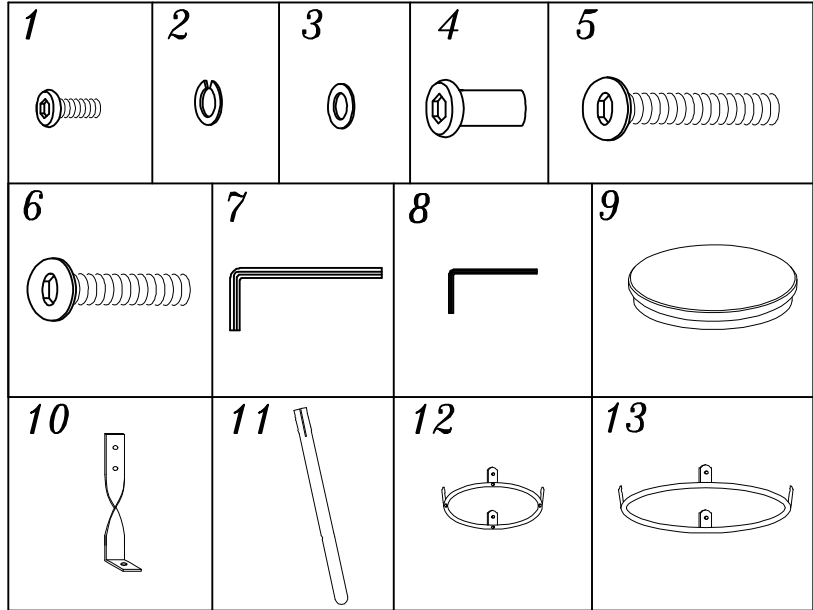
Parts List For Stool # C1M136

STOOL CARTON

- (9) SEAT-1
- (10) METAL SUPPORT LEGS-4
- (11) WOOD LEGS-4
- (12) TOP METAL RING-1
- (13) FOOT REST METAL RING-1

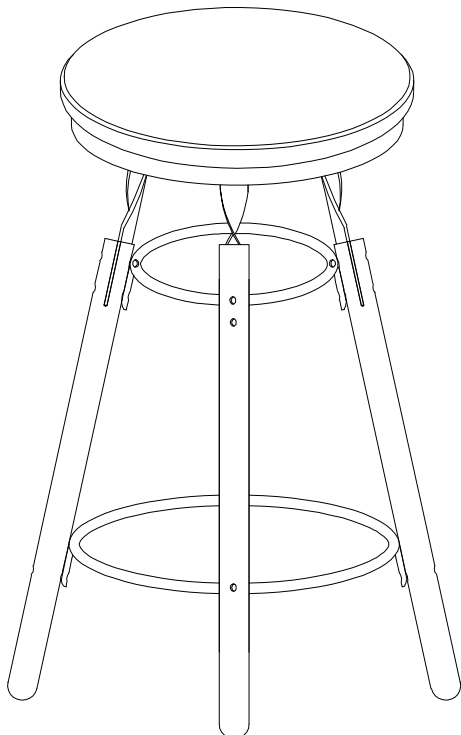
PART #391502 HARDWARE BAG

- (1) 1/4-20 X 1/2" FLAT ALLEN HEAD SCREW-4
- (2) 1/4" ID METAL SPRING WASHER-4
- (3) 1/4" ID X 5/8" OD FLAT METAL WASHER-4
- (4) 8MM X 13MM FLAT ALLEN HEAD SOCKET NUT-12
- (5) 8MM X 36MM ROUND ALLEN HEAD SCREW-4
- (6) 8MM X 25MM ROUND ALLEN HEAD SCREW-8
- (7) 5MM ALLEN WRENCH-2
- (8) 4MM ALLEN WRENCH-1



SAVE ALL PACKAGING MATERIALS UNTIL PRODUCT IS FULLY ASSEMBLED. HARDWARE AND SMALL PIECES MAY NOT BE SEEN AND COULD BE ACCIDENTALLY DISCARDED WITH PACKAGING MATERIALS.

PRODUCT FULLY ASSEMBLED



FOR ASSISTANCE IN ASSEMBLY ONLY OF THIS PRODUCT, CALL OUR HELP DESK AT 1-800-324-3415, BETWEEN 8:30 AM & 4:30 PM CENTRAL TIME MONDAY THROUGH FRIDAY. PLEASE HAVE THE STYLE NUMBER AVAILABLE BEFORE YOU CALL. (STYLE # OR NAME CAN BE FOUND ON PACKING CARTON OR SALES RECEIPT.) OUR PRODUCT IS INSPECTED TO ENSURE IT IS IN GOOD CONDITION. IF YOUR FURNITURE APPEARS TO HAVE BEEN DAMAGED IN SHIPMENT OR YOU ARE IN NEED OF REPLACEMENT PARTS PLEASE CONTACT THE DEALER FROM WHOM YOU PURCHASED THE PRODUCT.

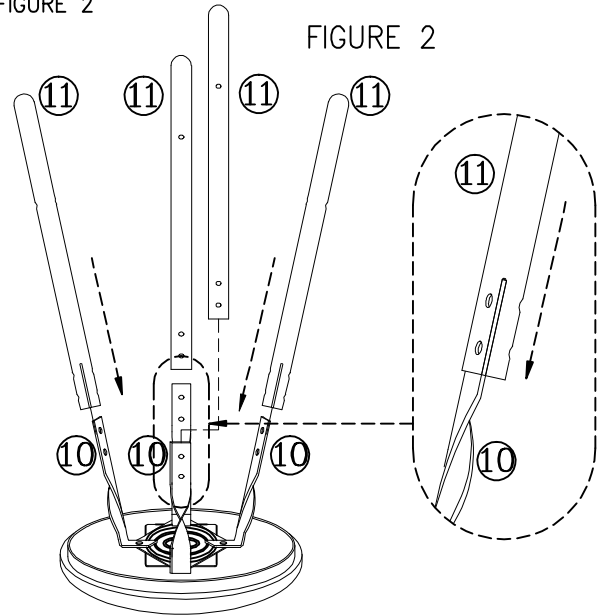
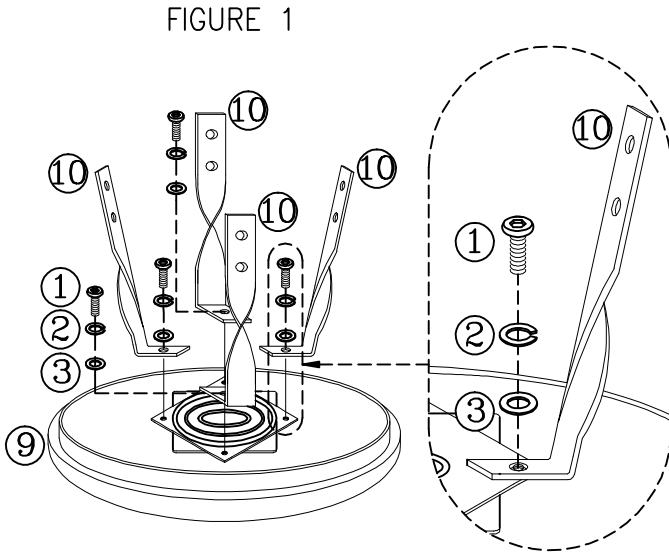
Instruction Sheet

Step 1- Assembly of Metal Support Legs to Seat.

- Align holes on metal support leg (10) with threaded holes on swivel. SEE FIGURE 1
- Secure metal support leg (10) to seat (9) with flat Allen head screw (1), metal spring washer (2) and flat metal washer (3). Use Allen wrench (8). DO NOT TIGHT SCREWS COMPLETELY YET

Step 2- Assembly of Wood Legs.

- Carefully insert wood legs (11) over metal support legs (10). SEE FIGURE 2



Step 3- Assembly of Top Metal Ring to Wood Legs.

- Align holes on legs (11) with pilot holes on top metal ring (12). SEE FIGURE 3
- Secure top metal ring (12) with flat Allen head socket nut (4) and round Allen head screw (5). Start screw (5) into nut (4).
- Secure top metal ring (12) bracket with flat Allen socket nut (4) and round Allen head screw (6). DO NOT TIGHT SCREWS COMPLETELY YET

Step 4- Assembly of Foot Rest Metal Ring to Wood Legs.

- Align holes on foot rest metal ring (13) bracket with pilot holes on wood leg (11). SEE FIGURE 4
- Secure foot rest metal ring (13) with flat Allen head socket nut (4) and round Allen head screw (6). Use both Allen wrenches (7) and (8) to tighten screws and nuts (4).

NOW TIGHTEN ALL SCREWS (1) COMPLETELY. FROM STEP 1 FIGURE 1

NOW TIGHTEN ALL SCREWS (5 & 6) COMPLETELY. FROM STEP 3 FIGURE 3

