

# FASHION BED GROUP.

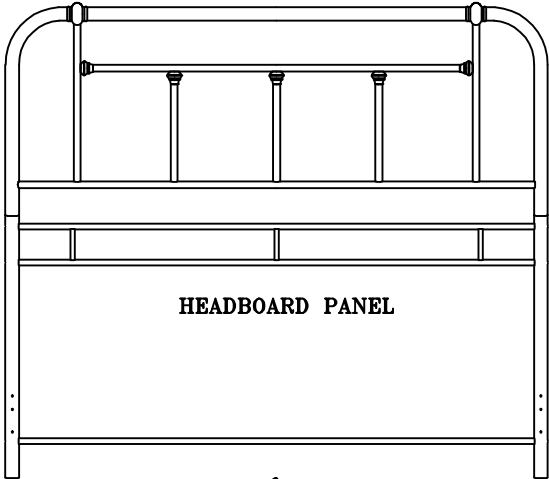
A *Loewell & Platt* COMPANY

6755 W. 65th Street Bedford park, IL 60638  
Parts List For Baldwin Bed

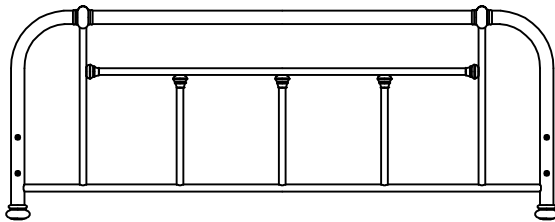
BED CARTON	HEADBOARD CARTON	1	2	3	4	5	6
(8) HEADBOARD PANEL (9) FOOTBOARD PANEL (10) PILLOW BAR-1 (11) BOTTOM RAIL-1	(8) HEADBOARD PANEL (10) PILLOW BAR-1 (11) BOTTOM RAIL-1						
PART #401701 BED HARDWARE BAG (1) 1/4-20 X 2 1/4" COUNTERSUNK ALLEN HEAD SCREW-10 (2) 1/4" ID X 5/8" OD FLAT WASHER-8 (3) 1/4" ID SPRING METAL WASHER-8 (4) 1/4-20 HEX NUT-4 (5) 1/4-20 X 1" FLAT ALLEN HEAD SCREW-4 (6) ALLEN WRENCH-1 (7) LEG EXTENSION-2 #401703	PART #401702 HDBD HARDWARE BAG (1) 1/4-20 X 2 1/4" COUNTERSUNK ALLEN HEAD SCREW-10 (2) 1/4" ID X 5/8" OD FLAT WASHER-4 (3) 1/4" ID SPRING METAL WASHER-4 (4) 1/4-20 HEX NUT-4 (6) ALLEN WRENCH-1 (7) LEG EXTENSION-2 #401703						

SAVE ALL PACKAGING MATERIALS UNTIL PRODUCT IS FULLY ASSEMBLED. HARDWARE AND SMALL PIECES MAY NOT BE SEEN AND COULD BE ACCIDENTALLY DISCARDED WITH PACKAGING MATERIALS.

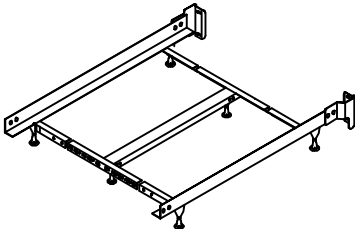
## PRODUCT FULLY ASSEMBLED



HEADBOARD PANEL

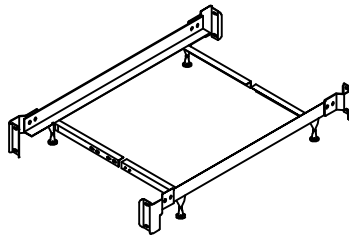


FOOTBOARD PANEL



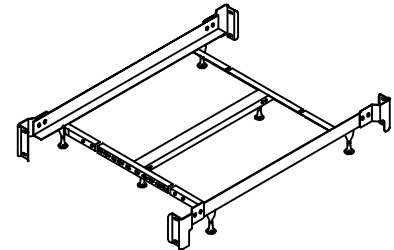
QUEEN - KING HEADBOARD ONLY FRAME FULLY ASSEMBLED FRAMES

NOTE: SEE INSTRUCTIONS INCLUDED IN FRAME CARTON FOR FRAME ASSEMBLY



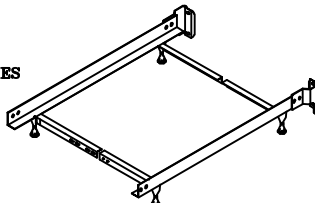
TWIN - FULL BED FRAME FULLY ASSEMBLED

NOTE: SEE INSTRUCTIONS INCLUDED IN FRAME CARTON FOR FRAME ASSEMBLY



QUEEN - KING BED FRAME FULLY ASSEMBLED

NOTE: SEE INSTRUCTIONS INCLUDED IN FRAME CARTON FOR FRAME ASSEMBLY



TWIN - FULL HEADBOARD ONLY FRAME FULLY ASSEMBLED

NOTE: SEE INSTRUCTIONS INCLUDED IN FRAME CARTON FOR FRAME ASSEMBLY

FOR ASSISTANCE IN ASSEMBLY ONLY OF THIS PRODUCT. CALL OUR HELP DESK AT 1-800-324-3415, BETWEEN 8:30 AM & 4:30 PM CENTRAL TIME MONDAY THROUGH FRIDAY. PLEASE HAVE THE STYLE NUMBER AVAILABLE BEFORE YOU CALL. (STYLE # OR NAME CAN BE FOUND ON PACKING CARTON OR SALES RECEIPT.) OUR PRODUCT IS INSPECTED TO ENSURE IT IS IN GOOD CONDITION. IF YOUR FURNITURE APPEARS TO HAVE BEEN DAMAGED IN SHIPMENT OR YOU ARE IN NEED OF REPLACEMENT PARTS PLEASE CONTACT THE DEALER FROM WHOM YOU PURCHASED THE PRODUCT.

FIGURE 1

# Instruction Sheet

⑧

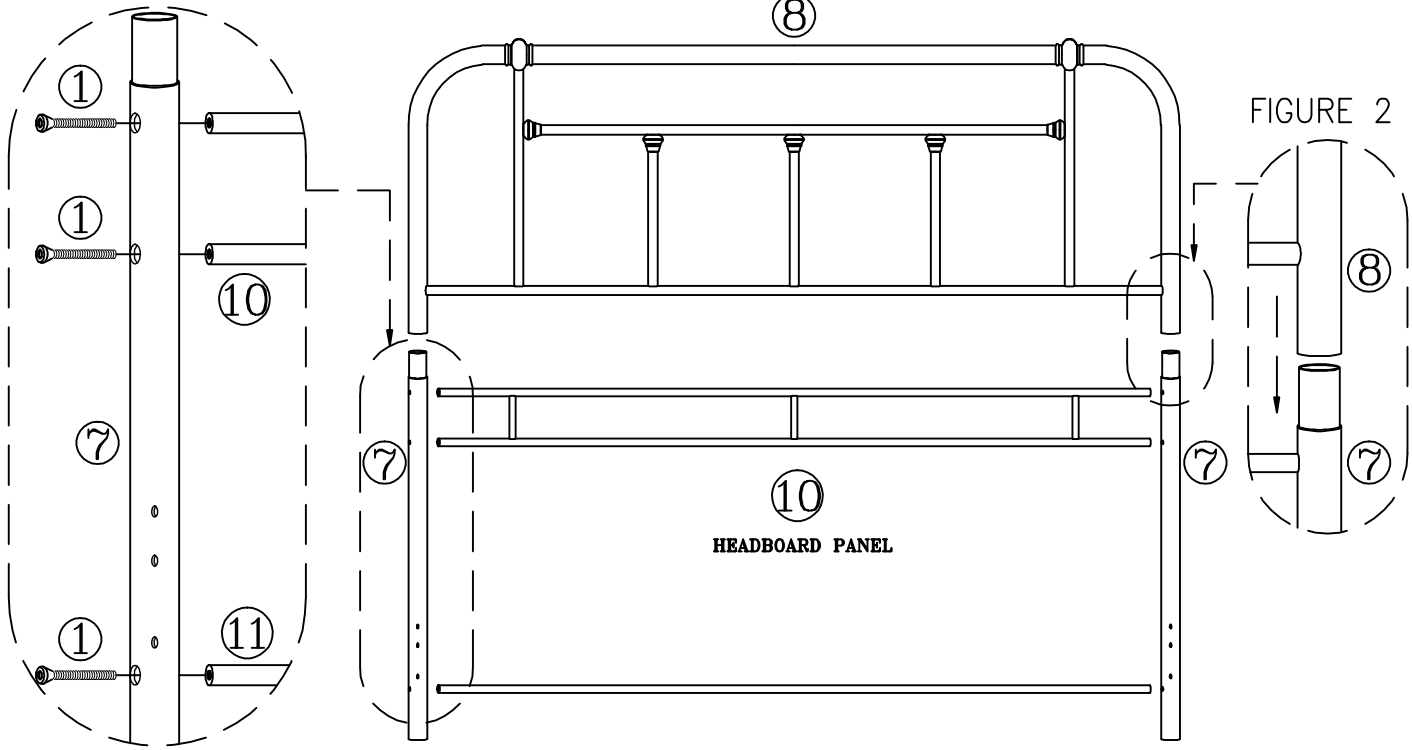
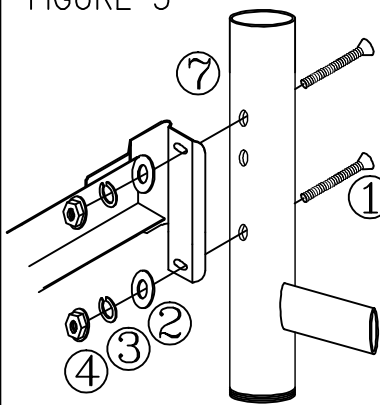


FIGURE 2

FIGURE 3



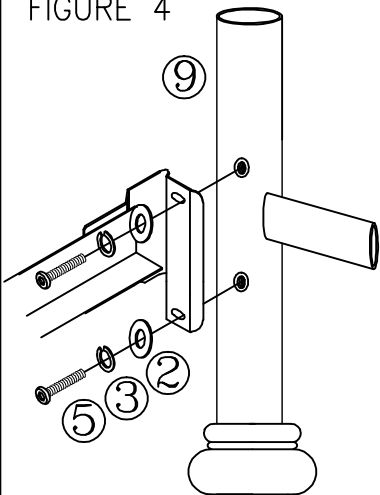
**Step 1- Assembly of Pillow Bar and Bottom Rail.**

- Align pilot holes on extension leg (7) with threaded insert on pillow bar (10). SEE FIGURE 1
- Secure pillow bar (10) with screw (1). Use Allen wrench (6). DO NOT TIGHTEN SCREWS COMPLETELY.
- Repeat same steps with bottom rail (11).
- Now carefully insert headboard panel (8) over extension leg (7). SEE FIGURE 2
- Now tighten all screws (1) completely. Using the Allen wrench (6).

**Step 2- Assembly of Headboard.**

- Place headboard panel and frame in desire location in room.
- Place two screws (1) through holes located in extension leg (7). SEE FIGURE 3
- Align bed frame bracket over screws (1).
- Place a flat metal washer (2),spring washer (3) and hex nut (4) on screw (1). Use Allen wrench (6). DO NOT TIGHTEN SCREWS COMPLETELY.
- Repeat on other side of the headboard.
- Tighten all screws (1) securely. Using the Allen wrench (6).

FIGURE 4



**Step 3- Assembly of Footboard.**

- Position footboard panel (9) and align threaded inserts in post with holes in the frame bracket. SEE FIGURE 4
- Place flat metal washer (2) and spring washer (3) on each screw (5).
- Insert screw (5) into frame bracket and into post. Use Allen wrench (6). DO NOT TIGHTEN SCREWS COMPLETELY.
- Repeat on other side of footboard panel.
- Tighten all screws (5) securely. Using the Allen wrench (6).