

FASHION BED GROUP.

A *Lovaldi & Platt* COMPANY

6755 W. 65th Street-Bedford Park, IL 60638

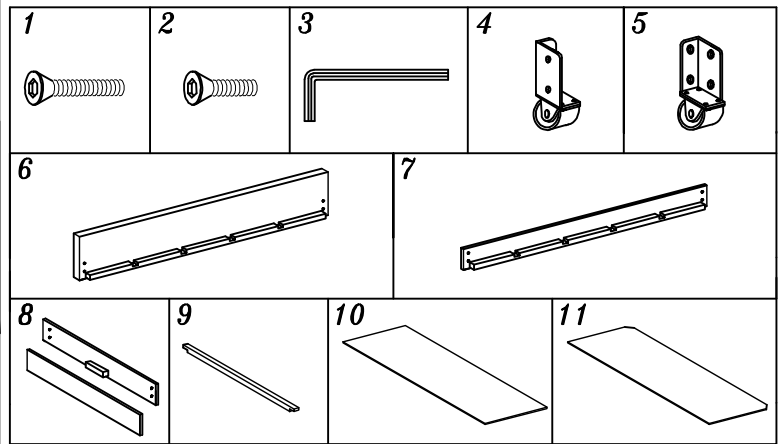
Parts List For Balboa Trundle

PART #500101RP HARDWARE BAG FOR TRUNDLE

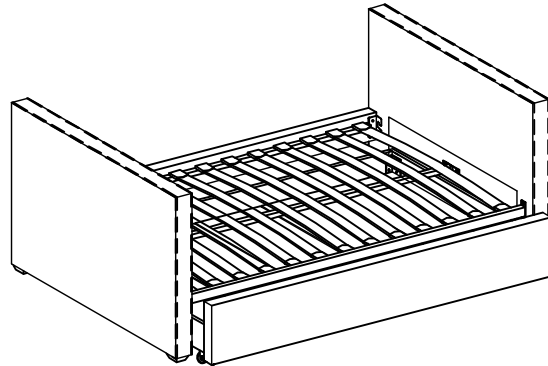
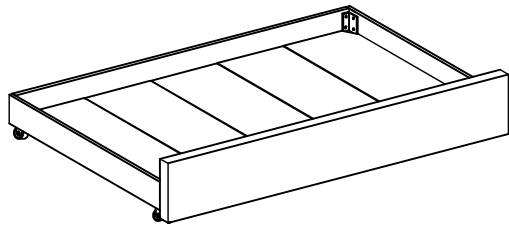
- (1) 1/4-20 X 1" COUNTERSUNK ALLEN HEAD SCREW-4
- (2) 1/4-20 X 5/8" COUNTERSUNK ALLEN HEAD SCREW-12
- (3) 4MM ALLEN WRENCH-1

TRUNDLE BED PARTS:

- (4) LEFT SIDE BACK LEG AND RIGHT SIDE FRONT LEG-2
- (5) RIGHT SIDE BACK LEG AND FRON SIDE LEFT LEG-2
- (6) FRONT PANEL-1
- (7) BACK PANEL-1
- (8) SIDE PANEL-2
- (9) SUPPORT RAILS-4
- (10) CENTER SUPPORT BOARDS-3
- (11) END SUPPORT BOARDS-2



TRUNDLE FULLY ASSEMBLED



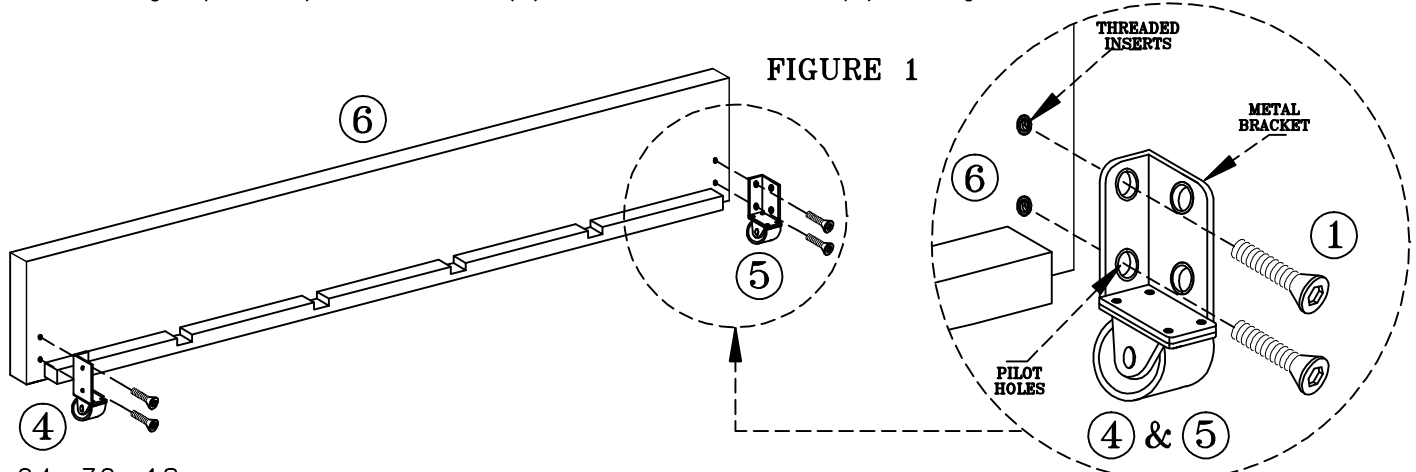
SAVE ALL PACKAGING MATERIALS UNTIL PRODUCT IS FULLY ASSEMBLED. HARDWARE AND SMALL PIECES MAY NOT BE SEEN AND COULD BE ACCIDENTALLY DISCARDED WITH PACKAGING MATERIALS.

Instruction Sheet

Step 1-Assembly of Legs on Front Panel.

NOTE: FOR EASY ASSEMBLY YOU NEED THE HELP OF OTHER PERSON.

- Align pilot holes on leg (4 & 5) metal bracket with threaded inserts on front panel (6). SEE FIGURE 1
- Secure legs (4 & 5) with screw (1). Use Allen wrench (3) to tighten.

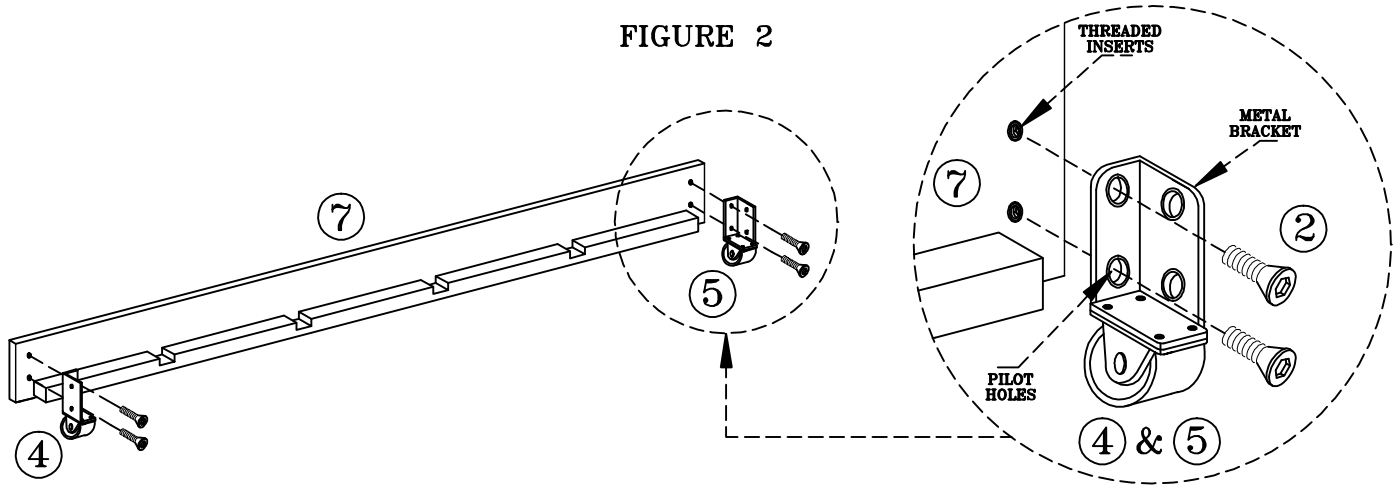


Instruction Sheet

Step 2—Assembly of Legs on Back Panel.

- Align pilot holes on leg (4 & 5) metal bracket with threaded inserts on back panel (7). SEE FIGURE 2
- Secure legs (4 & 5) with screw (2). Use Allen wrench (3) to tighten.

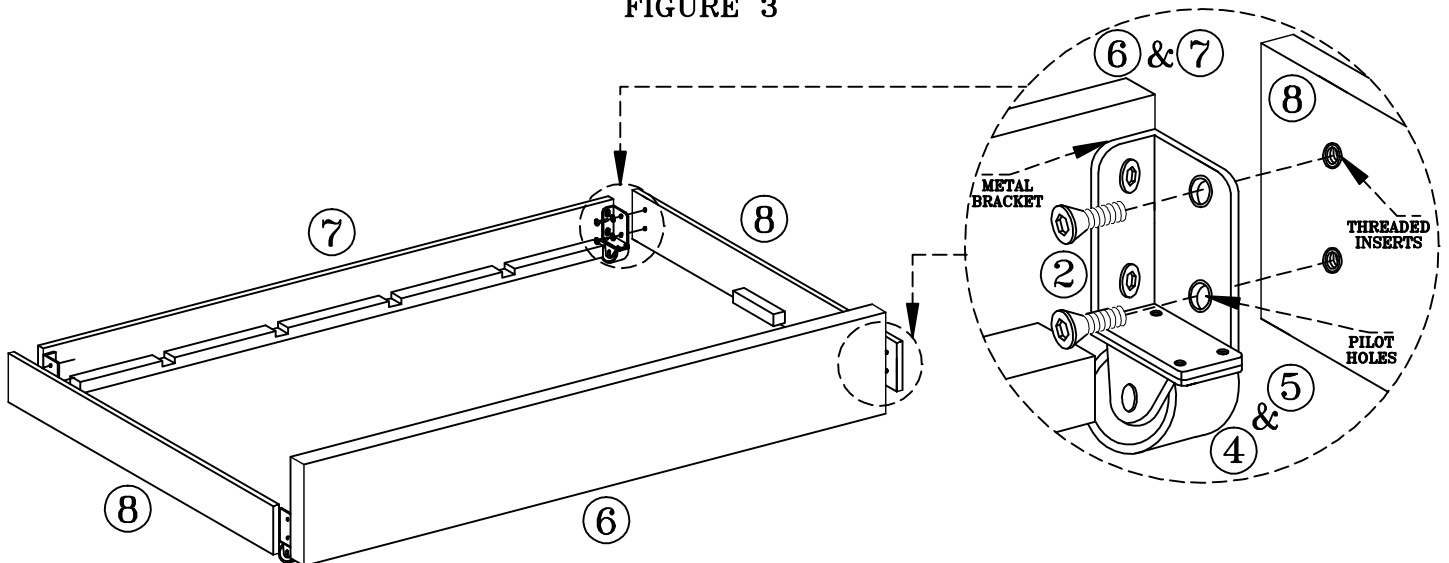
FIGURE 2



Step 3—Assembly of Side Panels.

- Align pilot holes on leg (4 & 5) metal bracket pre-installed on front panel (6) and back panel (7) with threaded inserts on side panels (8). SEE FIGURE 3
- Secure legs (4 & 5) with screw (2). Use Allen wrench (3) to tighten.

FIGURE 3

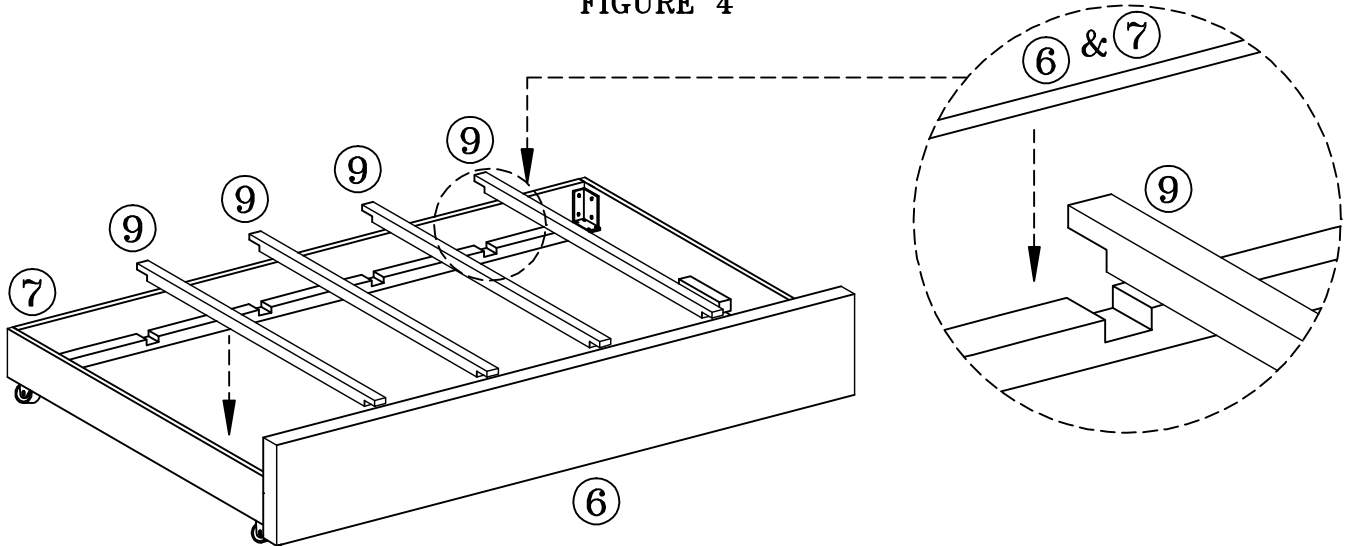


Instruction Sheet

Step 4—Assembly of Support Rails.

- Place support rails (9) between front panel (6) and back panel (7). SEE FIGURE 4

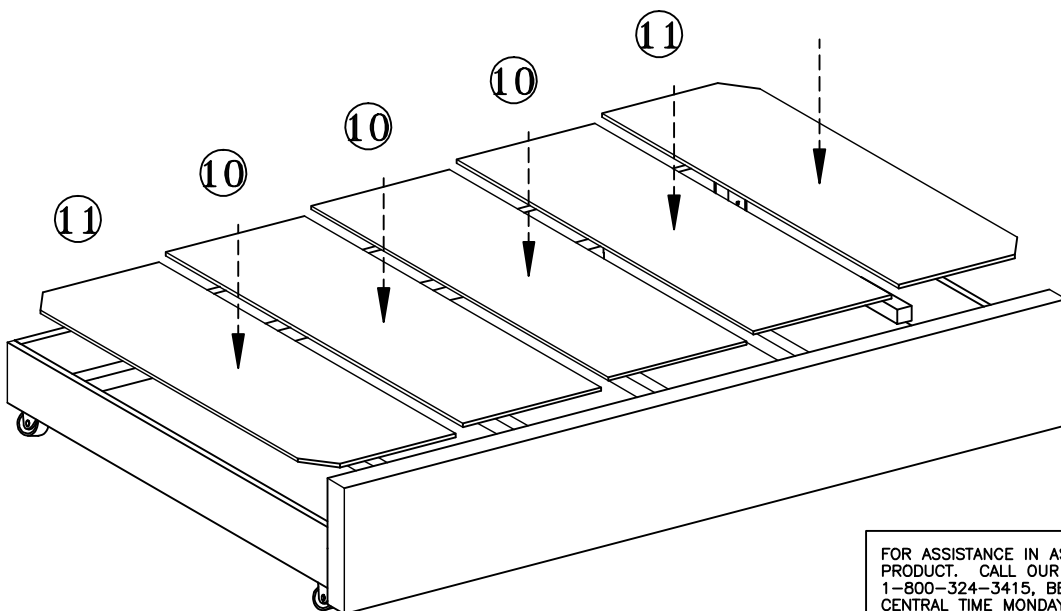
FIGURE 4



Step 5—Assembly of Support Boards.

- Carefully place center support boards (10) and end support boards (11) over support rails (9). SEE FIGURE 5

FIGURE 5



FOR ASSISTANCE IN ASSEMBLY ONLY OF THIS PRODUCT. CALL OUR HELP DESK AT 1-800-324-3415, BETWEEN 8:30 AM & 4:30 PM CENTRAL TIME MONDAY THRU FRIDAY. PLEASE HAVE THE STYLE NUMBER AVAILABLE BEFORE YOU CALL. (STYLE # OR NAME CAN BE FOUND ON PACKING CARTON OR SALES RECEIPT.) OUR PRODUCT IS INSPECTED TO ENSURE IT IS IN GOOD CONDITION. IF YOUR FURNITURE APPEARS TO HAVE BEEN DAMAGED IN SHIPMENT OR YOU ARE IN NEED OF REPLACEMENT PARTS PLEASE CONTACT THE DEALER FROM WHOM YOU PURCHASED THE PRODUCT.