

leggett & platt®

fashion bed™

6755 W. 65th Street Bedford Park, IL 60638

Parts List For Avalon Bed

HARDWARE BAG #392302

- (1) 1/4-20 X 2" FLAT ALLEN HEAD SCREW-14
- (2) 1/4" ID X 1/2" OD FLAT METAL WASHER-33
- (3) 1/4-20 X 3/4" FLAT ALLEN HEAD SCREW-12
- (4) 1/4-20 X 5/8" FLAT ALLEN HEAD SCREW-4
- (5) 1/4-20 X 1 1/2" FLAT ALLEN HEAD SCREW-3
- (6) ADJUSTABLE GLIDE-3
- (7) 4MM ALLEN WRENCH-1

BED GRILL CARTON

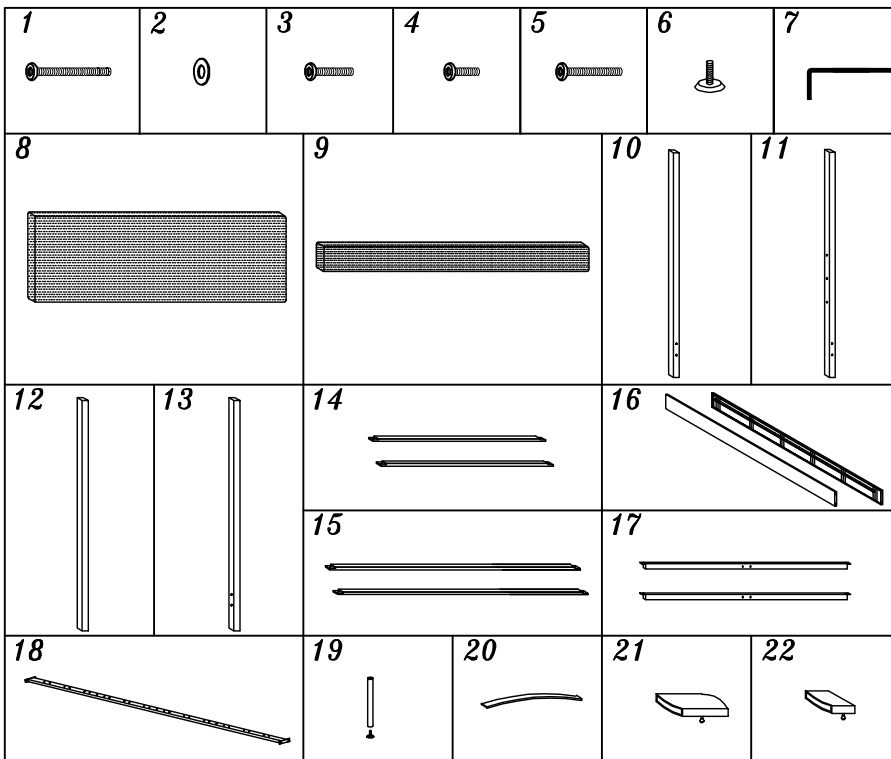
- (8) HEADBOARD GRILL-1
- (9) FOOTBOARD GRILL-1

POST AND CANOPY CARTON

- (10) LEFT HEADBOARD POST-1
- (11) RIGHT HEADBOARD POST-1
- (12) LEFT FOOTBOARD POST-1
- (13) RIGHT FOOTBOARD POST-1
- (14) CROSS CANOPY RAIL-2
- (15) SIDE CANOPY RAIL-2

SIDE RAILS/CENTER SUPPORT/SLATS CARTON

- (16) SIDE RAIL-2
- (17) CROSS RAIL-2
- (18) CENTER SUPPORT RAIL-1
- (19) SUPPORT LEG-3
- (20) WOOD SLAT-24
- (21) DOUBLE END PLASTIC CAP-12
- (22) SINGLE END PLASTIC CAP-24



SAVE ALL PACKAGING MATERIALS UNTIL PRODUCT IS FULLY ASSEMBLED. HARDWARE AND SMALL PIECES MAY NOT BE SEEN AND COULD BE ACCIDENTALLY DISCARDED WITH PACKAGING MATERIALS.

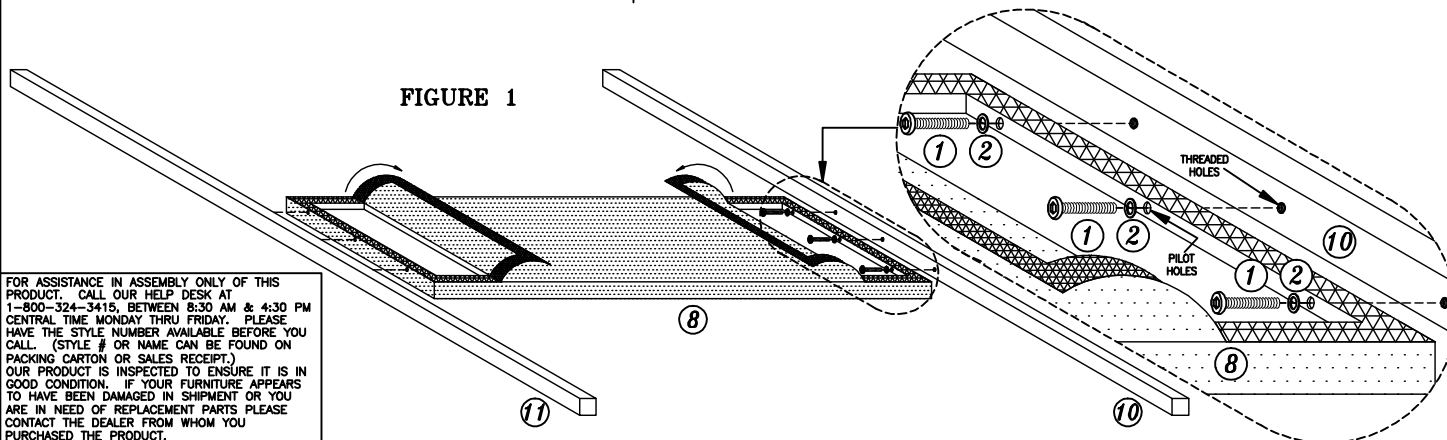
Instruction Sheet

NOTE: FOR EASY ASSEMBLY YOU NEED THE HELP OF ANOTHER PERSON.

Step 1- Assembly of Headboard Panel .

- Place headboard panel (8) upside down on a flat and clean surface.
- Carefully open each end of headboard panel (8). SEE FIGURE 1
- Align pilot holes on headboard panel (8) with threaded holes on right headboard post (11) and left headboard post (10). SEE FIGURE 1
- Secure headboard post (10 & 11) with screw (1) and flat metal washer (2). Use Allen wrench (7).
- Reseal velcro on each end of headboard panel.

FIGURE 1

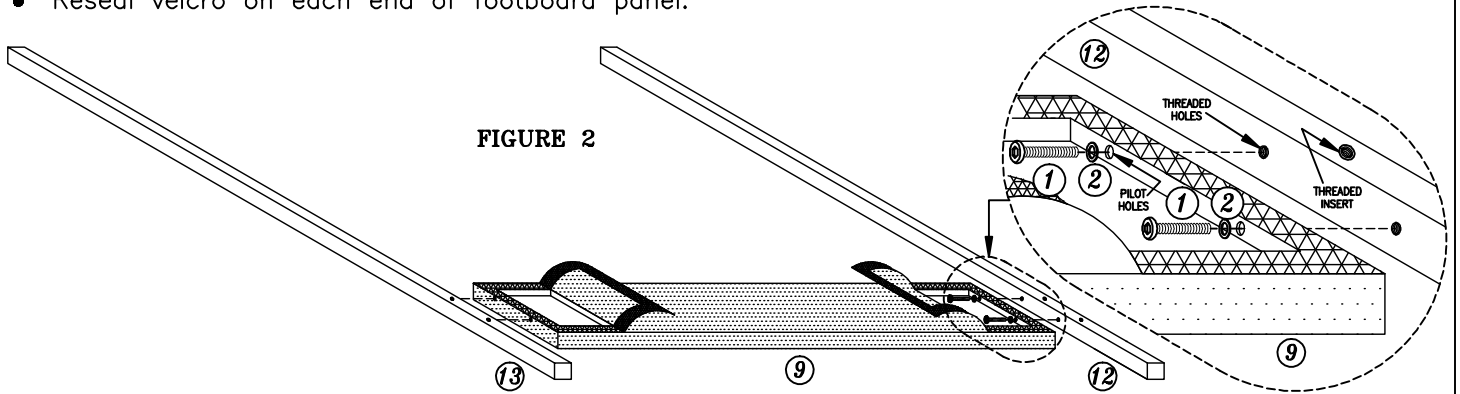


FOR ASSISTANCE IN ASSEMBLY ONLY OF THIS PRODUCT, CALL OUR HELP DESK AT 1-800-324-3415, BETWEEN 8:30 AM & 4:30 PM CENTRAL TIME MONDAY THRU FRIDAY. PLEASE HAVE THE STYLE NUMBER AVAILABLE BEFORE YOU CALL. (STYLE # OR NAME CAN BE FOUND ON PACKING CARTON OR SALES RECEIPT.) OUR PRODUCT IS INSPECTED TO ENSURE IT IS IN GOOD CONDITION. IF YOUR FURNITURE APPEARS TO HAVE BEEN DAMAGED IN SHIPMENT OR YOU ARE IN NEED OF REPLACEMENT PARTS PLEASE CONTACT THE DEALER FROM WHOM YOU PURCHASED THE PRODUCT.

Instruction Sheet

Step 2- Assembly of Footboard Panel .

- Place footboard panel (9) upside down on a flat and clean surface.
- Carefully open each end of footboard panel (9). SEE FIGURE 2
- Align pilot holes on footboard panel (9) with threaded holes on left footboard post (12) and right footboard post (13). SEE FIGURE 2
- Secure footboard post (12 & 13) with screw (1) and flat metal washer (2). Use Allen wrench (7).
- Reseal velcro on each end of footboard panel.

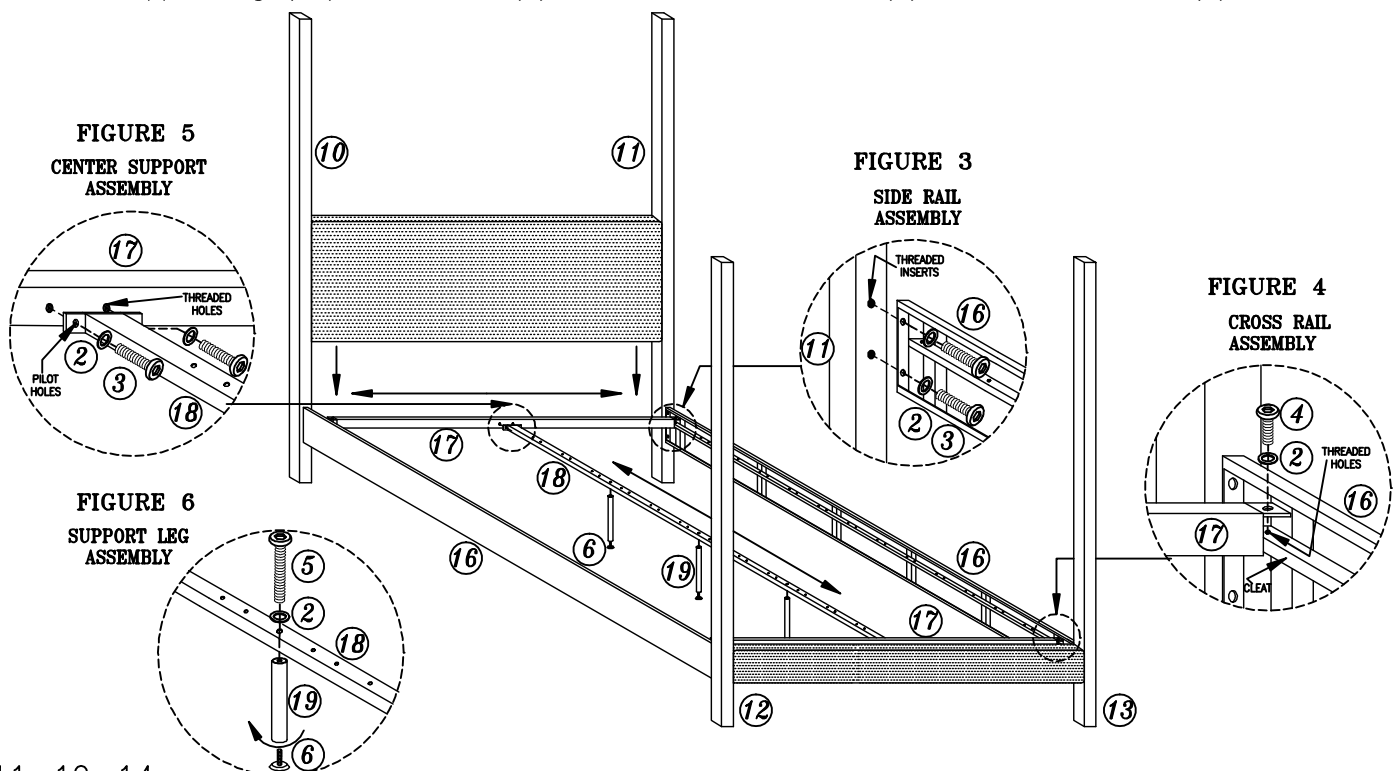


Step 3- Assembly of Side Rails/Cross Rails .

- Place headboard panel on desired location in room.
- Align pilot holes on side rail (16) with threaded insert on right headboard post (11). SEE FIGURE 3
- Secure side rail (16) with screw (3) and flat metal washer (2). Use Allen wrench (7)
- Repeat same steps with left headboard post (10) and footboard post (12 & 13).
- Place cross rails (17) between side rails (16). SEE FIGURE 4
- Align pilot holes on cross rails (17) metal bracket with threaded holes on side rails (16) cleat.
- Secure cross rails (17) with screw (4) and flat metal washer (2). Use Allen wrench (7).

Step 4- Assembly of Center Support Rails and Support Leg.

- Place center support rail (18) between cross rails (17). SEE FIGURE 5
- Align pilot holes on center support rail (18) metal bracket with threaded holes on cross rails (17).
- Secure center support rail (18) with screw (3) and flat metal washer (2). Use Allen wrench (7)
- Screw adjustable glide (6) on support leg (19). SEE FIGURE 6
- Align support leg (19) with pilot holes on center support rail (18).
- Secure support leg (19) with screw (5) and flat metal washer (2). Use Allen wrench (7).



Instruction Sheet

Step 5- Assembly of Canopy .

- Carefully place cross canopy rails (14) over headboard (10&11) and footboard (12&13) post. SEE FIGURA 7
- Place canopy side rails (15) over cross canopy rails (14). SEE FIGURA 8
- Secure canopy rails with screw (1) and flat metal washer (2). Use Allen wrench (7).

FIGURE 7
CANOPY CROSS
RAILS ASSEMBLY

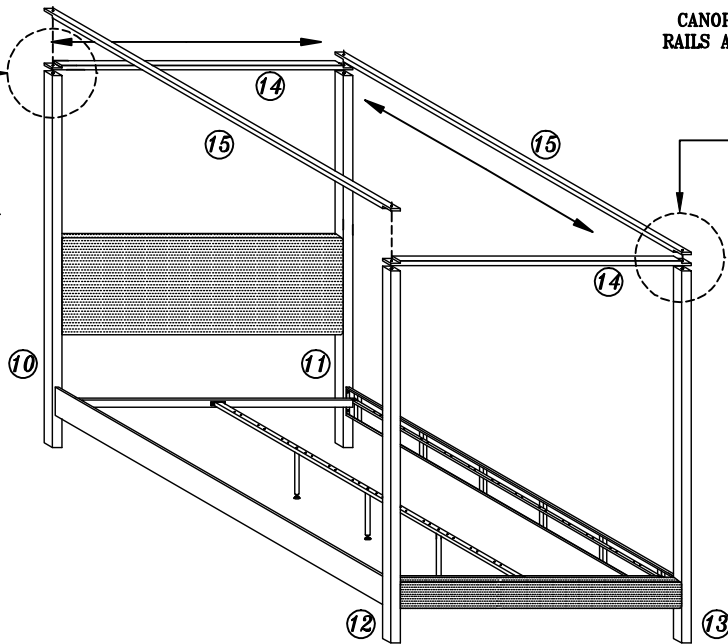
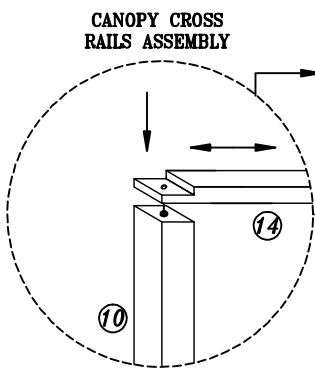
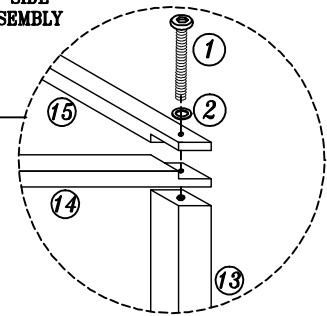


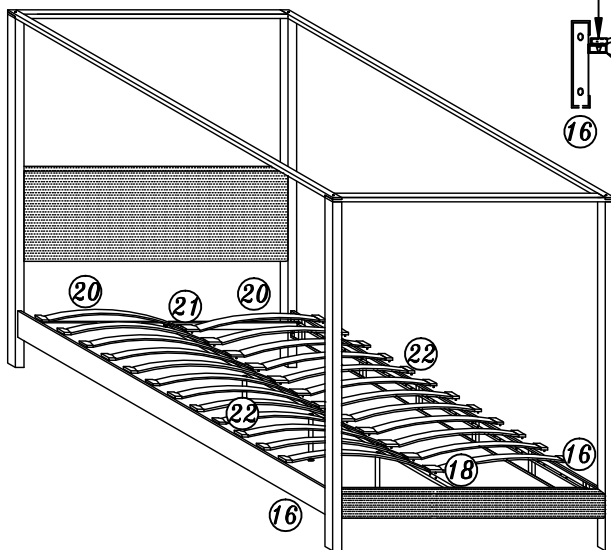
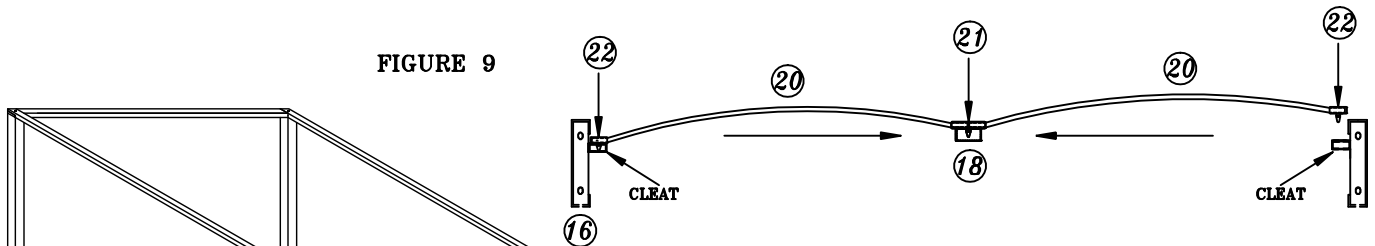
FIGURE 8
CANOPY SIDE
RAILS ASSEMBLY



Step 6- Assembly of Wood Slats .

- Insert double end plastic cap (21) on pilot holes on center support rail (18). SEE FIGURA 9
- Carefully insert wood slats (20) on each side of double end plastic cap (21).
- Insert single end plastic cap (22) on each end of wood slat (20). SEE FIGURE 9
- Insert single end cap (22) on pilot holes on side rail (16) cleat.

FIGURE 9



BED FULLY ASSEMBLED

