

# FASHION BED GROUP®

A *Leavitt & Platt* COMPANY

6755 W. 65th Street Bedford Park, IL 60638

## Parts List For Atlas Base

### TWIN/TWIN XL CARTON

- (7) METAL BRACKET-2
- (8) PLATFORM BASE-1

### FULL/QUEEN/C. KING AND KING CARTON

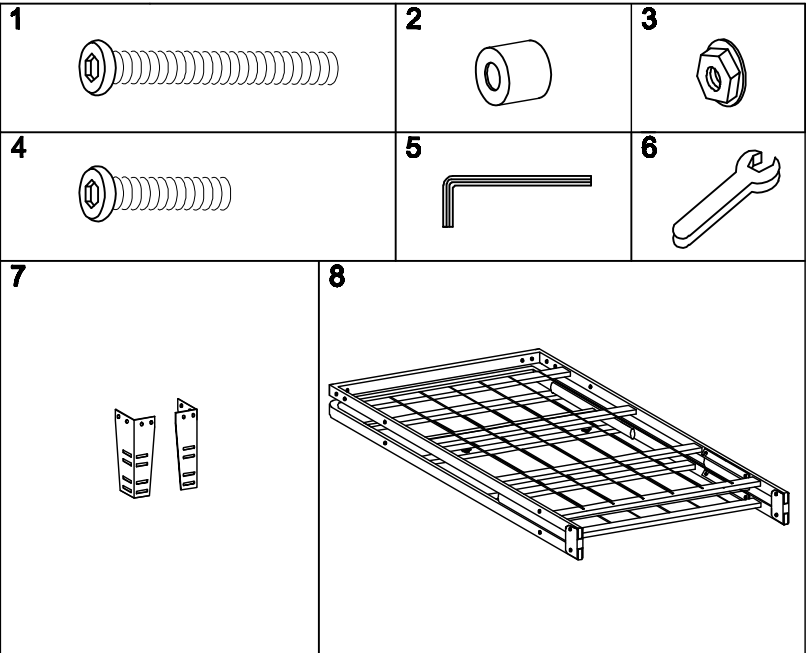
- (7) METAL BRACKET-2
- (8) PLATFORM BASE-2

### HARDWARE BAG # 392701 FOR FULL/QUEEN/C. KING AND KING

- (1) 6MM X 45MM FLAT ALLEN HEAD SCREW-2
- (2) NYLON SPACER-2
- (3) 6MM HEX NUTS-2

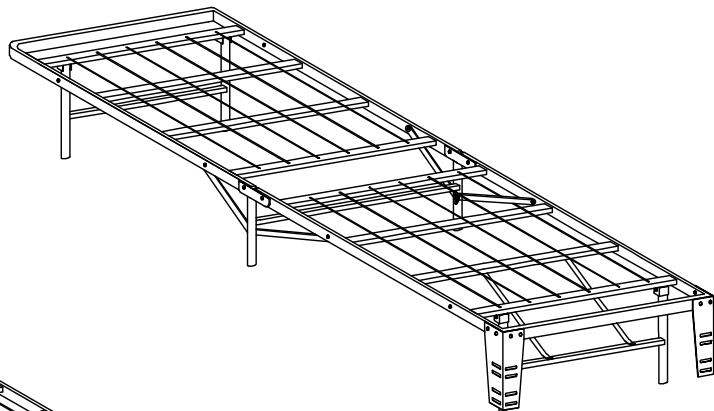
### HARDWARE BAG #392702 FOR BRACKET ASSEMBLY

- (3) 6MM HEX NUTS-6
- (4) 6MM X 25MM FLAT ALLEN HEAD SCREW-6
- (5) 4MM ALLEN WRENCH-1
- (6) 10MM OPEN WRENCH-1

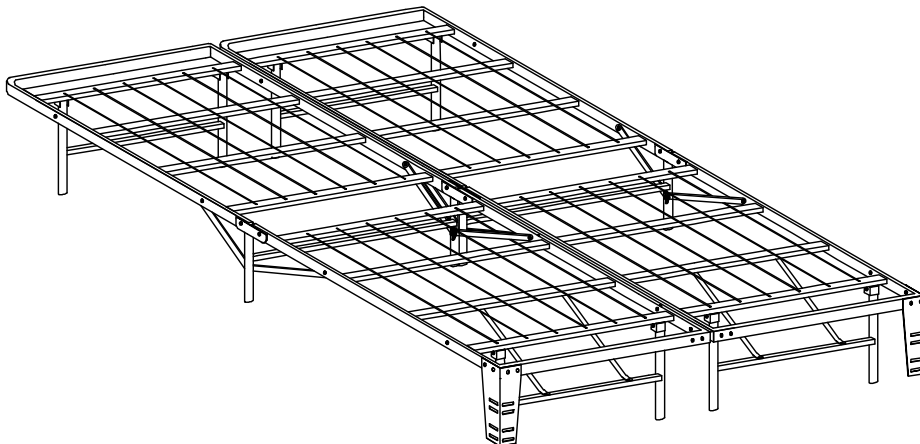


SAVE ALL PACKAGING MATERIALS UNTIL PRODUCT IS FULLY ASSEMBLED. HARDWARE AND SMALL PIECES MAY NOT BE SEEN AND COULD BE ACCIDENTALLY DISCARDED WITH PACKAGING MATERIALS.

### TWIN FULLY ASSEMBLED WITH BRACKETS



### FULL/QUEEN/ C. KING AND KING FULLY ASSEMBLED WITH BRACKETS

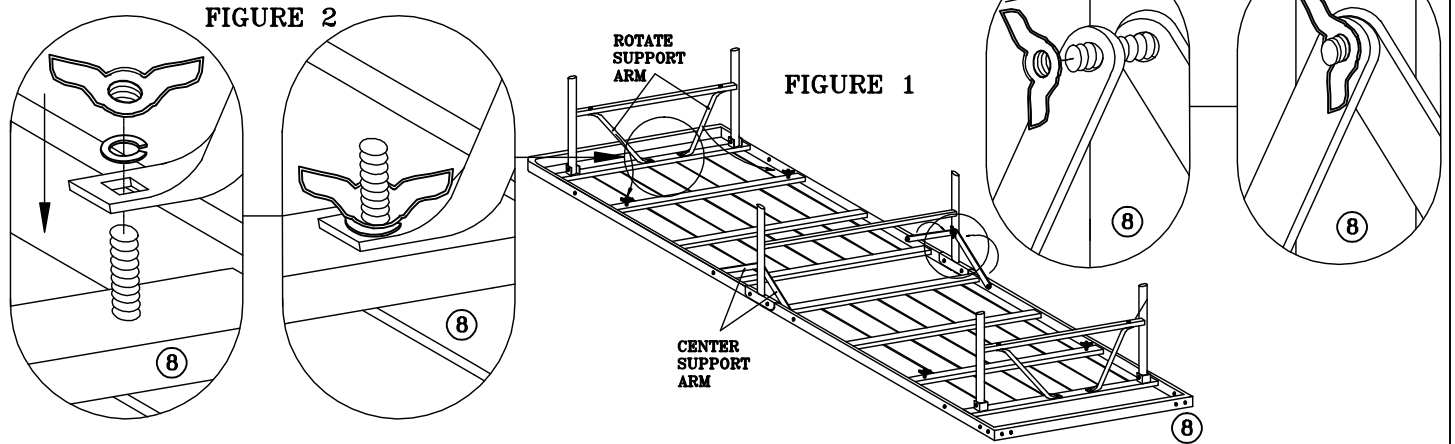


FOR ASSISTANCE IN ASSEMBLY ONLY OF THIS PRODUCT. CALL OUR HELP DESK AT 1-800-324-3415, BETWEEN 8:30 AM & 4:30 PM CENTRAL TIME MONDAY THRU FRIDAY. PLEASE HAVE THE STYLE NUMBER AVAILABLE BEFORE YOU CALL. (STYLE # OR NAME CAN BE FOUND ON PACKING CARTON OR SALES RECEIPT.) OUR PRODUCT IS INSPECTED TO ENSURE IT IS IN GOOD CONDITION. IF YOUR FURNITURE APPEARS TO HAVE BEEN DAMAGED IN SHIPMENT OR YOU ARE IN NEED OF REPLACEMENT PARTS PLEASE CONTACT THE DEALER FROM WHOM YOU PURCHASED THE PRODUCT.

# Instruction Sheet

## Step 1—Assembly of Support Arms.

- Unfold each half of platform base (8) and lay flat. SEE FIGURE 1
- Raise all legs to upright position.
- Remove wing nut and spring lock washer pre-installed on bolts. SEE FIGURE 2
- Rotate all support arms to insert into bolts and tighten with wing nut and spring lock washer.
- Remove wing nut pre-installed on center leg.
- Insert support arm into bolt.
- Secure support arms with wing nut on center leg. SEE FIGURE 3



## Step 2—Assembly of Full/Queen/C. king and King Platform Base.

- Flip platform base (8) over to stand upright. SEE FIGURE 4
- Align pilot holes on platform base (8) rails. SEE FIGURE 5
- Place nylon spacer (2) between side rails and secure with screw (1) and hex nut (3). Use Allen wrench (5) and open wrench (6). SEE FIGURE 5

## Step 3—Assembly of Metal Brackets. (OPTIONAL)

- Align pilot holes on platform base (8) rails with pilot holes on metal bracket (7). SEE FIGURE 6
- Secure metal bracket (7) with screw (4) and hex nut (3). Use Allen wrench (5) and open wrench (6). SEE FIGURE 6

