

FASHION BED GROUP.

A *Seibert & Platt* COMPANY

6755 W. 65th Street-Bedford Park, IL 60638

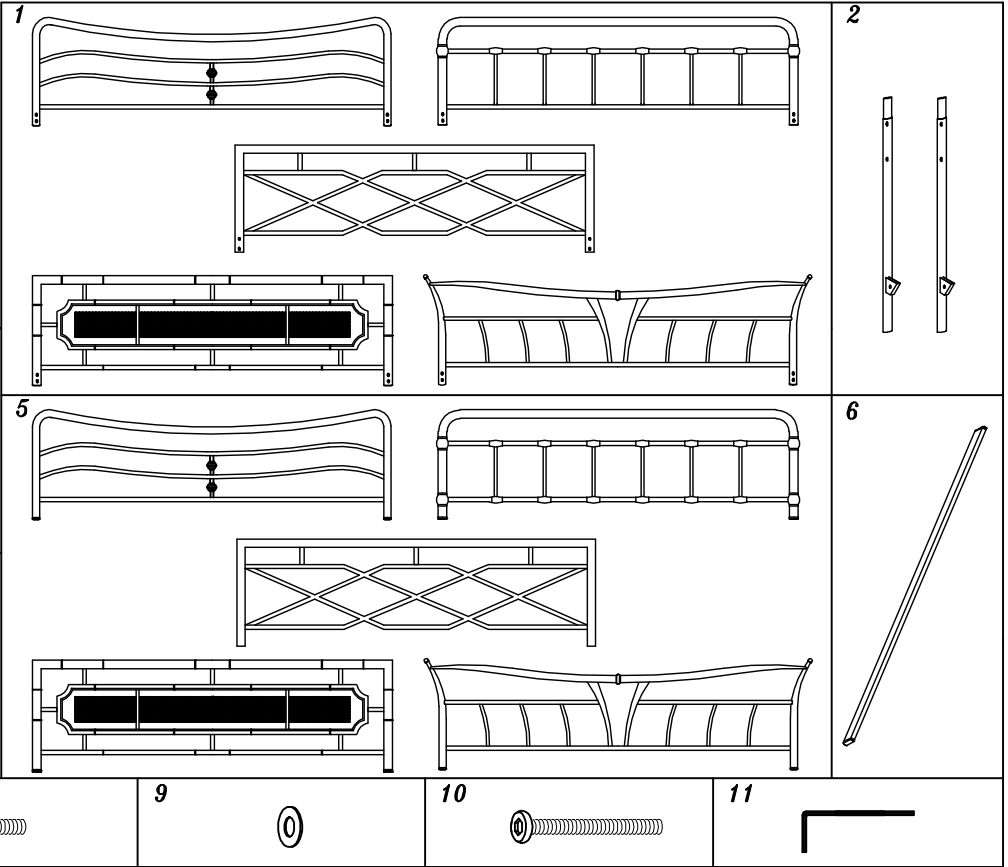
Parts List For Sn@p Bed

BED CARTON

- (1) HEADBOARD PANEL-1
- (2) EXTENSION LEG-2
- (3) PILLOW BAR-1
- (4) SIDE RAILS-2
- (5) FOOTBOARD PANEL-1
- (6) CROSS RAILS-4
- (7) SUPPORT LEGS-6

HARDWARE BAG #395202

- (8) 1/4-20 X 1/2" FLAT ALLEN HEAD SCREW-4
- (9) 1/4" ID X 5/8" OD FLAT METAL WASHER-4
- (10) 1/4-20 X 2 1/4" FLAT ALLEN HEAD SCREW-4
- (11) 4MM ALLEN WRENCH-1



SAVE ALL PACKAGING MATERIALS UNTIL PRODUCT IS FULLY ASSEMBLED. HARDWARE AND SMALL PIECES MAY NOT BE SEEN AND COULD BE ACCIDENTALLY DISCARDED WITH PACKAGING MATERIALS.

Instruction Sheet

Step 1- Assembly of Headboard Panel .

- Align top reduction of extension leg (2) with bottom of headboard panel (1). SEE FIGURE 1
- Now Carefully insert extension Leg (2) into bottom of headboard panel (1).
- Secure extension leg (2) with screw (8) and flat metal washer (9). Use Allen wrench (11).
- Place pillow bar (3) between extension leg (2). SEE FIGURE 2
- Align pilot holes on extension leg (2) with threaded inserts on Pillow bar (3) rails.
- Secure pillow bar (3) with screw (10). Use Allen wrench (11).

FIGURE 2

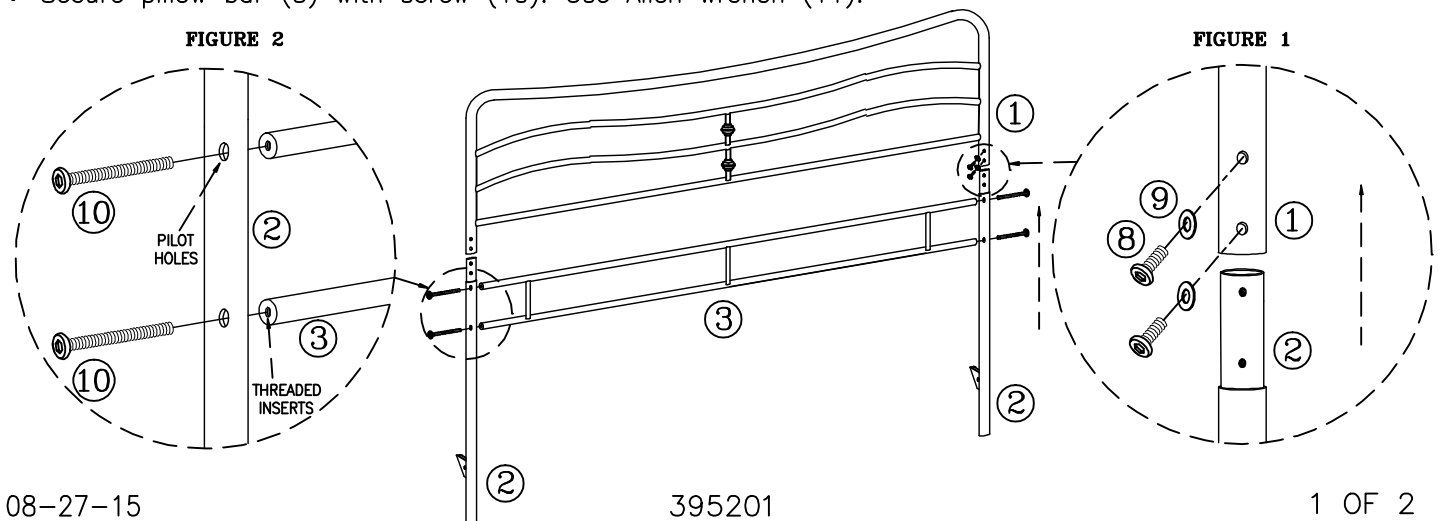


FIGURE 1

Instruction Sheet

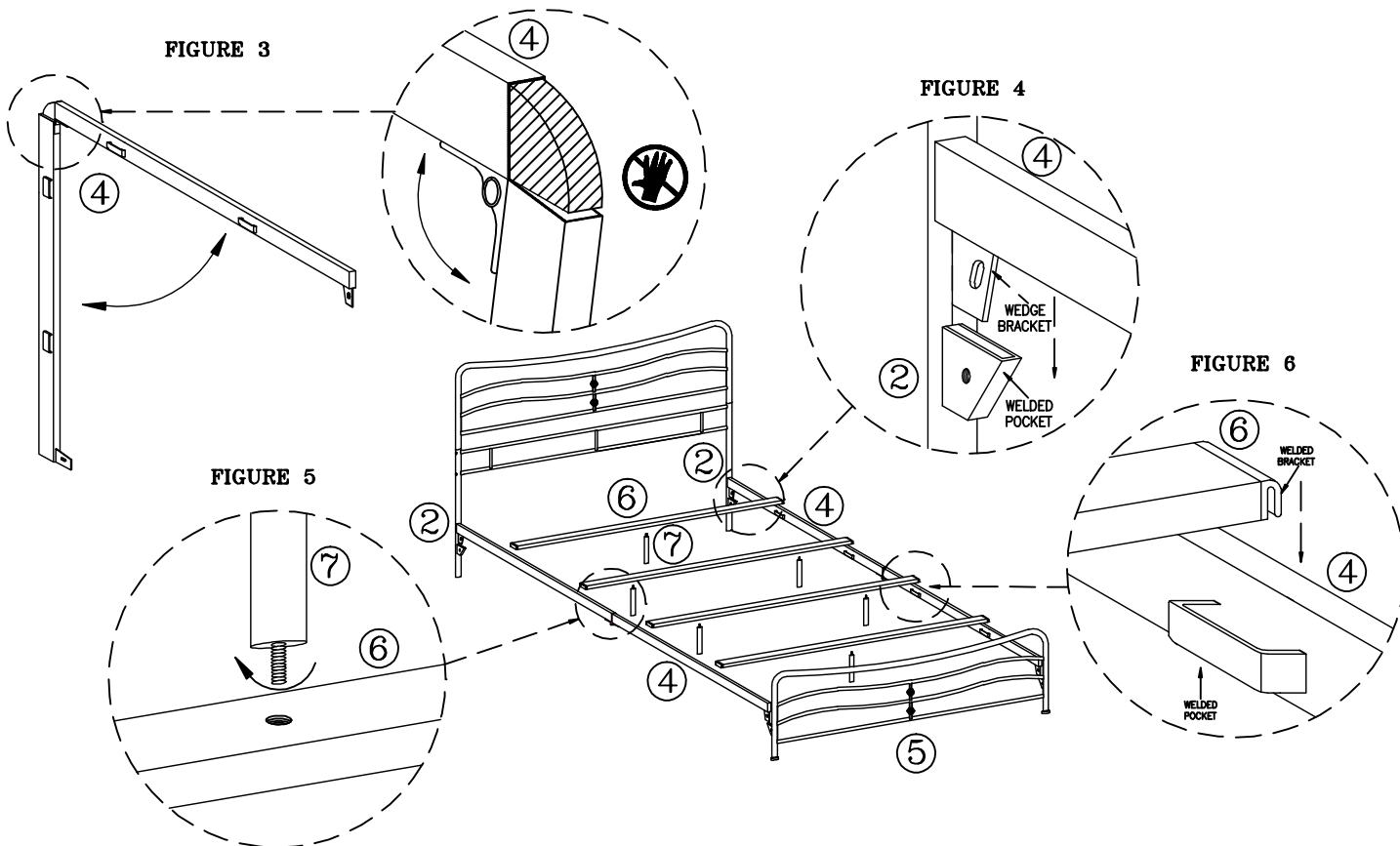
NOTE: TO PREVENT SERIOUS INJURIES DO NOT PLACE HANDS OR FINGER BETWEEN MOVING PARTS.

Step 2- Assembly of Side Rails.

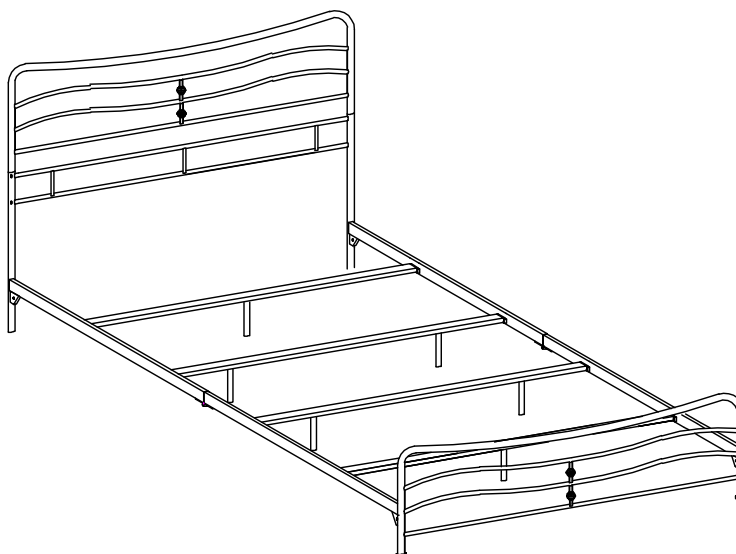
- Place headboard panel on desired location in room.
- Carefully un-fold side rail (4) . SEE FIGURE 3
- Insert wedge bracket of side rail (4) into welded pocket of extension leg (2). SEE FIGURE 4
- Repeat same steps with footboard panel (5).

Step 3- Assembly of Support leg / Cross Rails.

- Secure support leg (7) on cross rail (6). SEE FIGURE 5
- Insert welded bracket on cross rail (6) into welded pocket on side rail (4). SEE FIGURE 6



BED FULLY ASSEMBLED



FOR ASSISTANCE IN ASSEMBLY ONLY OF THIS PRODUCT. CALL OUR HELP DESK AT 1-800-324-3415, BETWEEN 8:30 AM & 4:30 PM CENTRAL TIME MONDAY THRU FRIDAY. PLEASE HAVE THE STYLE NUMBER AVAILABLE BEFORE YOU CALL. (STYLE # OR NAME CAN BE FOUND ON PACKING CARTON OR SALES RECEIPT.) OUR PRODUCT IS INSPECTED TO ENSURE IT IS IN GOOD CONDITION. IF YOUR FURNITURE APPEARS TO HAVE BEEN DAMAGED IN SHIPMENT OR YOU ARE IN NEED OF REPLACEMENT PARTS PLEASE CONTACT THE DEALER FROM WHOM YOU PURCHASED THE PRODUCT.