

FASHION BED GROUP.

A *Lovett & Platt* COMPANY

6755 W. 65th Street Bedford Park, IL 60638

Parts List For Stool # C1W016 / C1W010

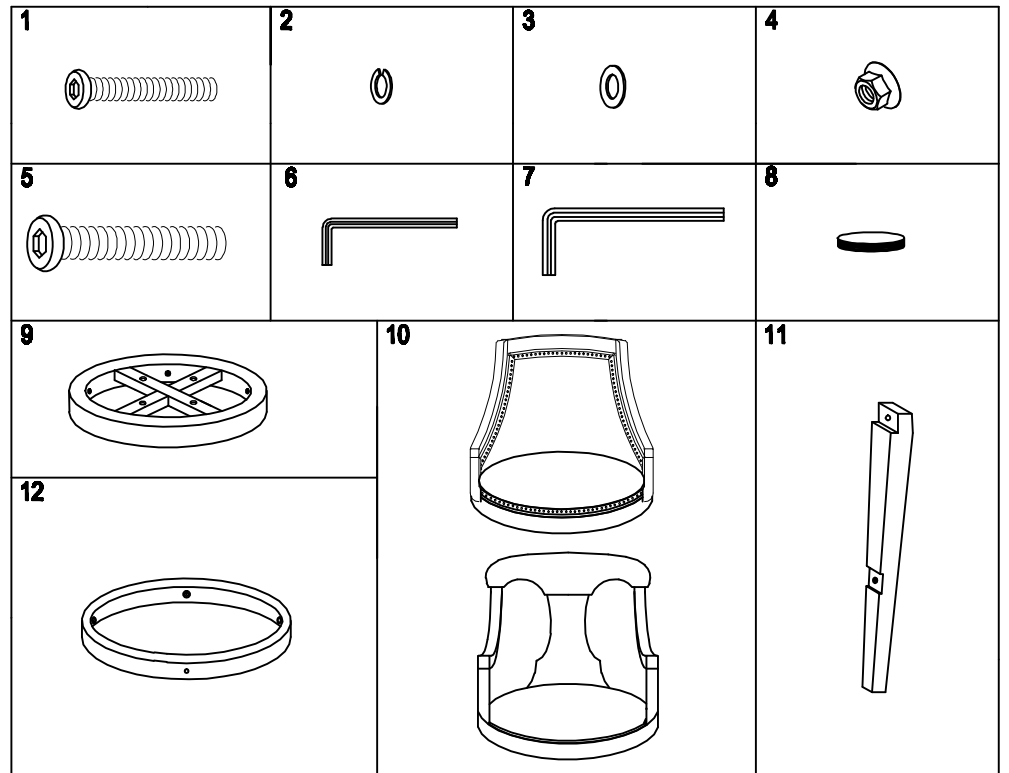
Parts List For Stool # C1X106 / C1X100

BAR STOOL CARTON

- (9) TOP RING-1
- (10) SEAT-1
- (11) LEGS-4
- (12) FOOT REST RING -1

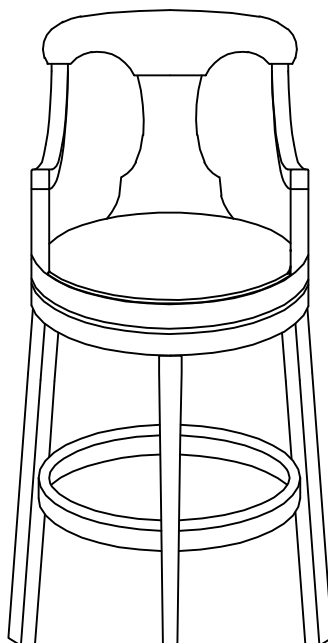
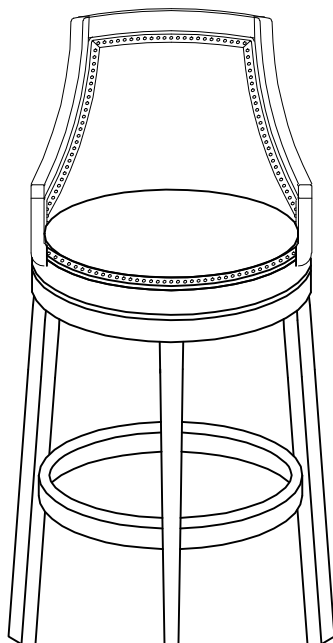
HARDWARE BAG # 394002

- (1) 1/4-20 X 1 5/8" FLAT ALLEN HEAD SCREW-4
- (2) 1/4" ID METAL SPRING WASHER-4
- (3) 1/4" ID X 5/8" OD FLAT METAL WASHER-4
- (4) 1/4-20 FLANGE HEX NUT-4
- (5) 5/16-18 X 1 3/4" FLAT ALLEN HEAD SCREW-8
- (6) 4MM ALLEN WRENCH-1
- (7) 5MM ALLEN WRENCH-1
- (8) ADHESIVE FOOT GLIDE-4



SAVE ALL PACKAGING MATERIALS UNTIL PRODUCT IS FULLY ASSEMBLED. HARDWARE AND SMALL PIECES MAY NOT BE SEEN AND COULD BE ACCIDENTALLY DISCARDED WITH PACKAGING MATERIALS.

PRODUCT FULLY ASSEMBLED



07-01-16

394001

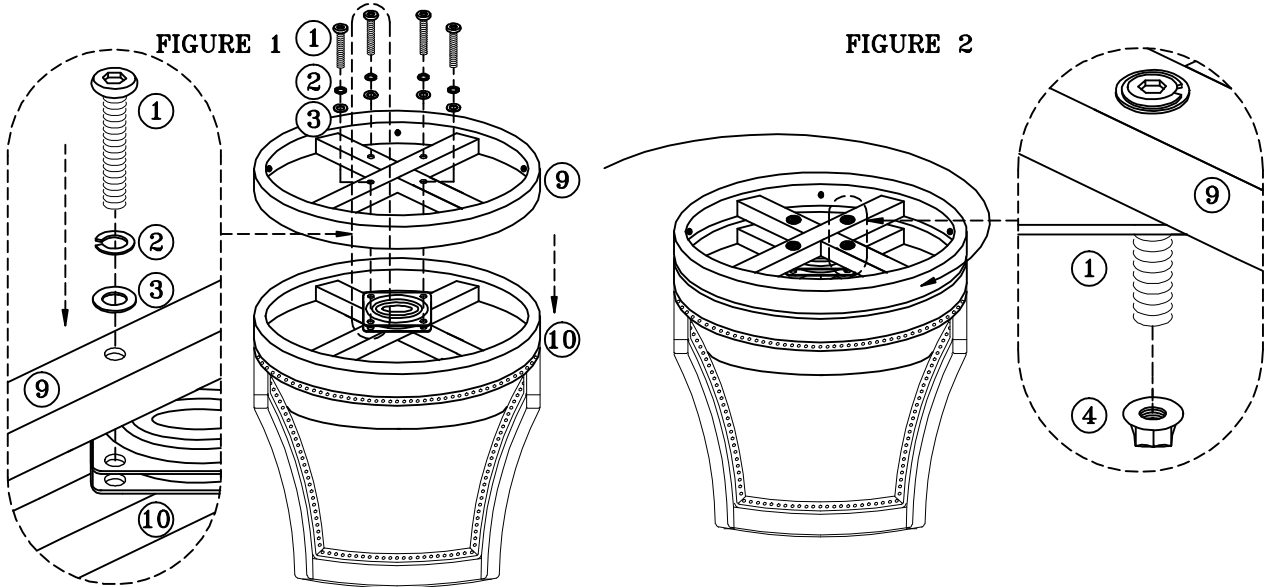
FOR ASSISTANCE IN ASSEMBLY ONLY OF THIS PRODUCT. CALL OUR HELP DESK AT 1-800-324-3415, BETWEEN 8:30 AM & 4:30 PM CENTRAL TIME MONDAY THRU FRIDAY. PLEASE HAVE THE STYLE NUMBER AVAILABLE BEFORE YOU CALL. (STYLE # OR NAME CAN BE FOUND ON PACKING CARTON OR SALES RECEIPT.) OUR PRODUCT IS INSPECTED TO ENSURE IT IS IN GOOD CONDITION. IF YOUR FURNITURE APPEARS TO HAVE BEEN DAMAGED IN SHIPMENT OR YOU ARE IN NEED OF REPLACEMENT PARTS PLEASE CONTACT THE DEALER FROM WHOM YOU PURCHASED THE PRODUCT.

Instruction Sheet

NOTE: FOR EASY ASSEMBLY YOU NEED THE HELP OF OTHER PERSON.

STEP 1- Assembly of Top ring to Seat.

- Align pilot holes on top ring (9) with swivel holes on seat (10). SEE FIGURE 1
- Insert spring washer (2) and flat metal washer (3) on screw (1). Now insert screw (1) on top ring (9) holes and into swivel holes. SEE FIGURE 1
- Carefully turn top ring at 45 degree and hold on place.
- Secure top ring (9) with hex nut (4). SEE FIGURE 2
- Use Allen wrench (6) to tighten screws.



STEP 2- Assembly of Legs to Top Ring.

- Align pilot holes on legs (11) with threaded inserts on top ring (9). SEE FIGURE 3
- Secure legs (11) with screw (5). Hand tighten screws. DO NOT TIGHTEN SCREWS COMPLETELY

STEP 3- Assembly of Foot Rest Ring.

- Align pilot holes on foot rest (12) with threaded inserts on legs (11). SEE FIGURE 4
 - Secure foot rest (12) with screw (5). Use Allen wrench (7) to tighten screws.
- NOW TIGHTEN SCREWS (5) FROM STEP 3 (FIGURE 3)

APPLY ADHESIVE FOOT GLIDE ON EACH LEG (OPTIONAL)

