

leggett & platt®

fashion bed™

6755 W. 65th Street Bedford park, IL 60638

Parts List For Affinity Bed

BED CARTON

HEADBOARD CARTON

- (10) HEADBOARD PANEL
- (11) FOOTBOARD PANEL

- (10) HEADBOARD PANEL

PART #373902 HARDWARE BAG FOR BED ATTACHMENT TO FRAME

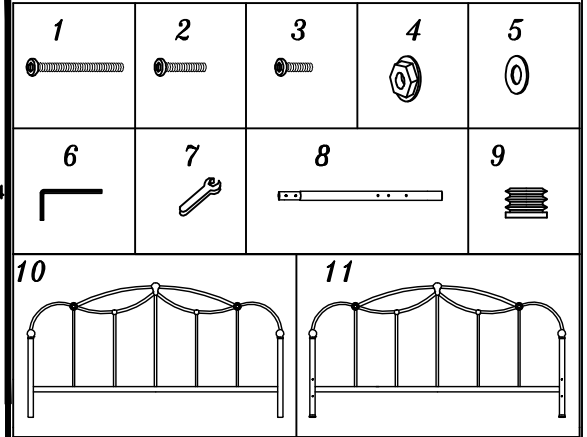
PART #366002 HARDWARE BAG FOR HEADBOARD ATTACHMENT TO FRAME

- (1) 1/4-20 X 2" FLAT ALLEN HEAD SCREW-4
- (2) 1/4-20 X 3/4" FLAT ALLEN HEAD SCREW-4
- (3) 1/4-20 X 1/2" FLAT ALLEN HEAD SCREW-4
- (4) 1/4-20 HEX NUT-4
- (5) 1/4" ID X 5/8" OD FLAT WASHER-12
- (6) ALLEN WRENCH
- (7) OPEN WRENCH
- (8) LEG EXTENSION-2 #389002
- (9) PLASTIC GLIDE -4 #150940000

- (1) 1/4-20 X 2" FLAT ALLEN HEAD SCREW-4
- (3) 1/4-20 X 1/2" FLAT ALLEN HEAD SCREW-4
- (4) 1/4-20 HEX NUT-4
- (5) 1/4" ID X 5/8" OD FLAT WASHER-8
- (6) ALLEN WRENCH
- (7) OPEN WRENCH
- (8) LEG EXTENSION-2 #389002
- (9) PLASTIC GLIDE -2 #150940000

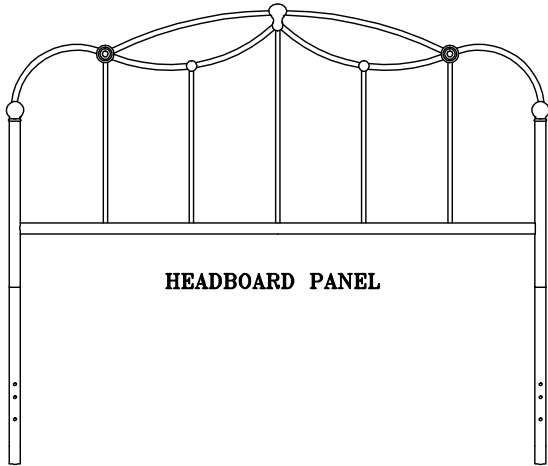
NOTE: PLASTIC GLIDES COME PRE-INSTALLED

NOTE: PLASTIC GLIDES COME PRE-INSTALLED

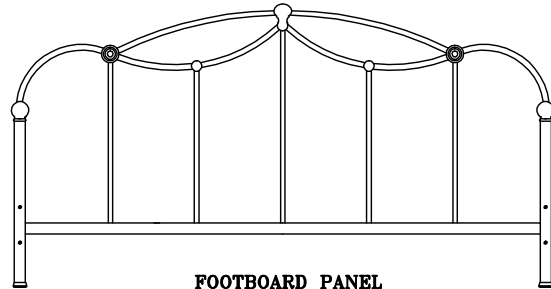


SAVE ALL PACKAGING MATERIALS UNTIL PRODUCT IS FULLY ASSEMBLED. HARDWARE AND SMALL PIECES MAY NOT BE SEEN AND COULD BE ACCIDENTALLY DISCARDED WITH PACKAGING MATERIALS.

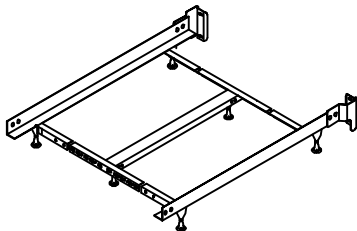
PRODUCT FULLY ASSEMBLED



HEADBOARD PANEL

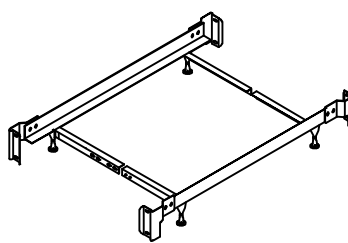


FOOTBOARD PANEL



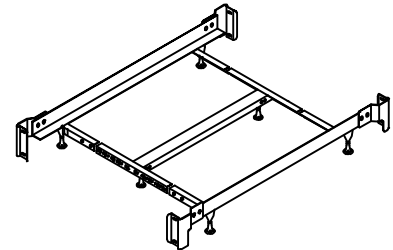
QUEEN - KING HEADBOARD ONLY FRAME FULLY ASSEMBLED FRAMES

NOTE: SEE INSTRUCTIONS INCLUDED IN FRAME CARTON FOR FRAME ASSEMBLY



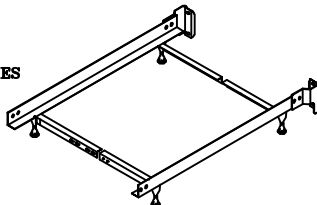
TWIN - FULL BED FRAME FULLY ASSEMBLED

NOTE: SEE INSTRUCTIONS INCLUDED IN FRAME CARTON FOR FRAME ASSEMBLY



QUEEN - KING BED FRAME FULLY ASSEMBLED

NOTE: SEE INSTRUCTIONS INCLUDED IN FRAME CARTON FOR FRAME ASSEMBLY



TWIN - FULL HEADBOARD ONLY FRAME FULLY ASSEMBLED

NOTE: SEE INSTRUCTIONS INCLUDED IN FRAME CARTON FOR FRAME ASSEMBLY

FOR ASSISTANCE IN ASSEMBLY ONLY OF THIS PRODUCT. CALL OUR HELP DESK AT 1-800-324-3415, BETWEEN 8:30 AM & 4:30 PM CENTRAL TIME MONDAY THROUGH FRIDAY. PLEASE HAVE THE STYLE NUMBER AVAILABLE BEFORE YOU CALL. (STYLE # OR NAME CAN BE FOUND ON PACKING CARTON OR SALES RECEIPT.) OUR PRODUCT IS INSPECTED TO ENSURE IT IS IN GOOD CONDITION. IF YOUR FURNITURE APPEARS TO HAVE BEEN DAMAGED IN SHIPMENT OR YOU ARE IN NEED OF REPLACEMENT PARTS PLEASE CONTACT THE DEALER FROM WHOM YOU PURCHASED THE PRODUCT.

FIGURE 1

Instruction Sheet

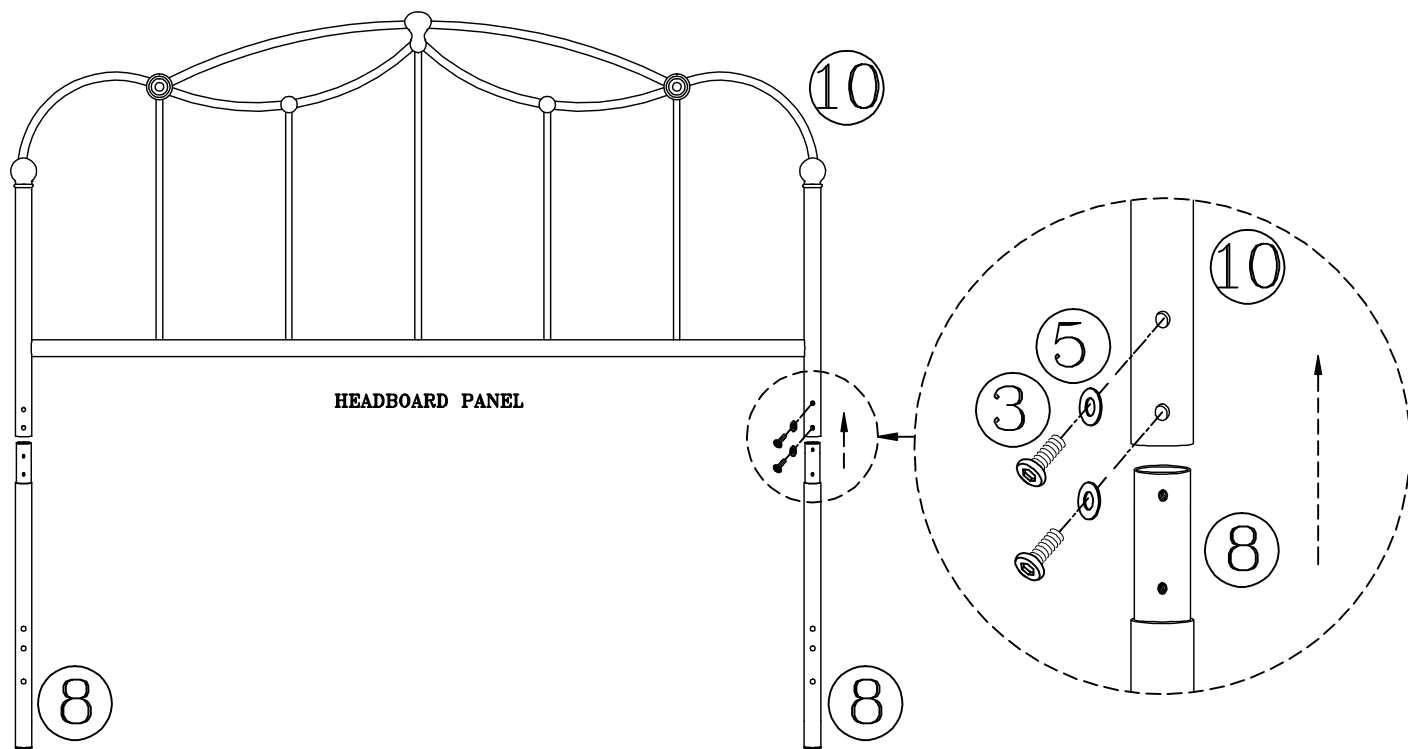
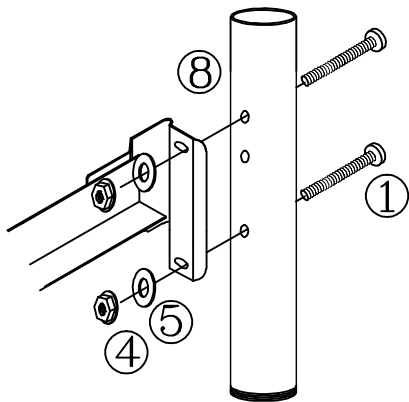


FIGURE 2



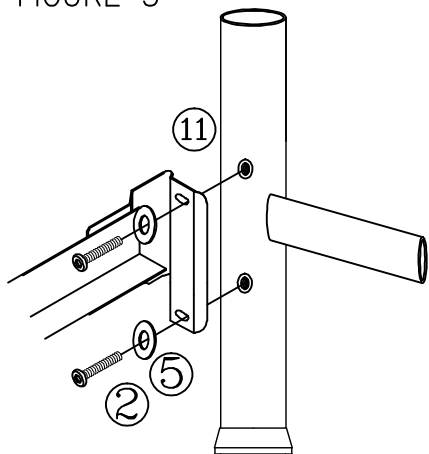
Step 1 Leg Extension Assembly

- Align top reduction of extension leg (8) with bottom of panel post (10). (See Figure 1)
- Now carefully insert extension leg (8) into bottom of panel (10) post.
- Secure leg extension (8) with screws (3) and flat washer (5) to panel (10).
- Tighten screws with Allen wrench (6).
- Repeat on other side of headboard panel.

Step 2 Headboard Assembly

- Place headboard and frame in desired location in room.
- Place 2 screws (1) through holes located in leg (8). (See Figure 2)
- Align bed frame bracket over screws.
- Place a flat washer (5) first and then a nut (4) on each screw. DO NOT TIGHTEN SCREWS COMPLETELY.
- Repeat on other side of headboard.
- Tighten all screws securely using the Allen wrench (6) and open wrench (7).

FIGURE 3



Step 3 Footboard Assembly

- Position footboard panel and align holes in the post (11) with holes in the frame bracket. (See figure 3)
- Place flat washer (5) on each screw (2). Insert through bracket and into post. DO NOT TIGHTEN SCREWS COMPLETELY.
- Repeat on other side of footboard panel.
- Tighten all screws securely using the Allen wrench (6).