

# 1004 ASSEMBLY INSTRUCTIONS

Figure 1

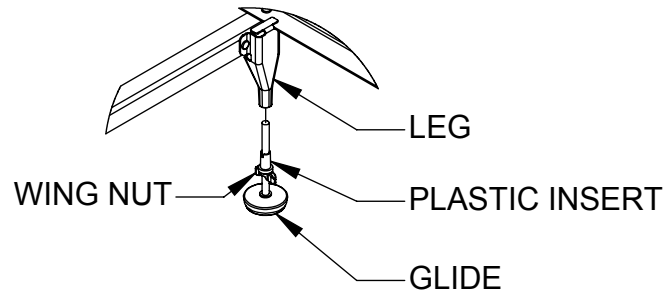
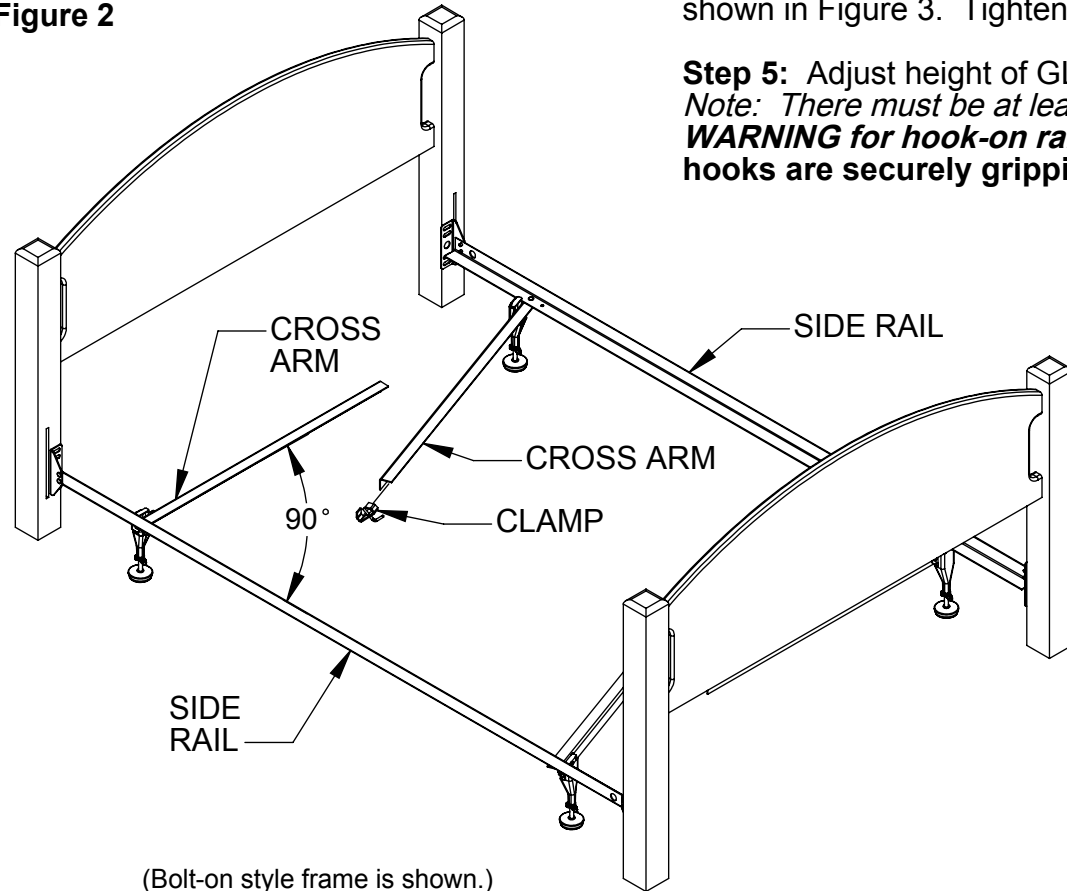


Figure 2



(Bolt-on style frame is shown.)

**STEP 1** Install THREADED GLIDES in LEGS as shown in Figure 1. PLASTIC INSERTS should fit tight against bottom of LEG.

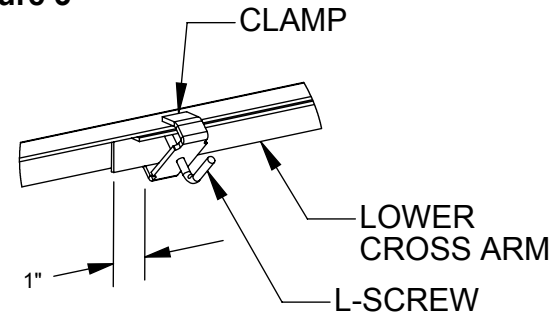
**Step 2:** Attach SIDE RAILS to headboard and footboard as shown in Figure 2. If installing hook-on rails, make sure that hook-on brackets grip the post pins. If installing bolt-on rails, make sure that all nuts and bolts are securely tightened.

**Step 3:** Swing CROSS ARMS out 90 degrees. Slide CLAMPS onto CROSS ARMS as shown in Figure 2.

**Step 4:** Overlap CROSS ARMS. Slide CLAMP onto overlapped CROSS ARMS. Position CLAMP one inch from edge of LOWER CROSS ARM as shown in Figure 3. Tighten L-SCREWS.

**Step 5:** Adjust height of GLIDE so that it touches the floor.  
*Note: There must be at least one inch of the glide stem in the plastic insert.*  
**WARNING for hook-on rails:** After adjusting glide height, make sure hooks are securely gripping post pins.

Figure 3



DATE 1-21-15	DWG. NO. <b>99300434</b>
DO NOT SCALE DRAWING   SHEET 1 OF 1	

LPCPG.com

TO THE EXTENT PERMITTED BY APPLICABLE LAW, ANY OTHER WARRANTIES, EXPRESS OR IMPLIED, INCLUDING ANY IMPLIED WARRANTY OF MERCHANTABILITY OR FITNESS FOR A PARTICULAR PURPOSE, ARE HEREBY DISCLAIMED; PROVIDED, THAT TO THE EXTENT APPLICABLE LAW DOES NOT ALLOW SUCH DISCLAIMER OF ANY PARTICULAR IMPLIED WARRANTY, SUCH WARRANTY SHALL BE LIMITED IN DURATION AND OTHERWISE TO THE EXPRESS WARRANTY SET FORTH HEREIN AND IS SUBJECT TO THE SAME LIMITATIONS SET FORTH HEREIN. IN NO EVENT SHALL LPCPG BE LIABLE FOR (A) SPECIAL, INCIDENTAL OR CONSEQUENTIAL DAMAGES, OR (B) DAMAGES IN EXCESS OF THE PURCHASE PRICE OF THE PRODUCT, WHETHER ARISING IN CONTRACT OR TORT (INCLUDING NEGLIGENCE). No modification of this warranty shall be effective unless it is in writing and signed by an authorized officer of LPCPG. This warranty is exclusive and in lieu of all other warranties, oral or written, and supersedes all previous warranties, if any.

Some states and provinces do not allow limitations on how long an implied warranty lasts, so the above limitations may not apply to every Purchaser. Some states and provinces do not allow the exclusion or limitation of special, incidental or consequential damages, so the above limitation or exclusion may not apply to every Purchaser. This warranty gives the Purchaser specific legal rights and the Purchaser may have other legal rights which vary by state or by province. This warranty does not apply to sales outside of the United States and Canada.

For Residents of Canada: This warranty is subject to the applicable provisions of Canadian consumer protection laws that cannot be derogated from by private agreement. You confirm your request that this warranty and all documents related directly or indirectly thereto be drafted in the English language. Vous reconnaissez avoir requis que la présente convention ainsi que tous les documents qui s'y rattachent directement ou indirectement soient rédigés en langue anglaise.

For warranty inquiries and claim submission, please visit LPCPG.com and click on "Contact Us" or call 1-800-825-5233.

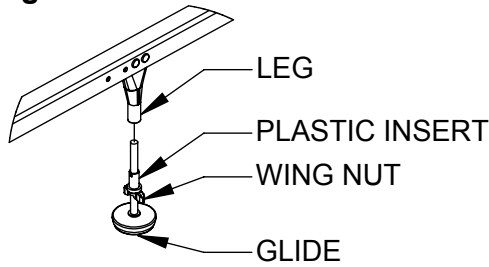
Leggett & Platt® Consumer Products Group ("LPCPG") warrants to the original retail purchaser ("Purchaser") that the LPCPG bed frame, center support system, bed rails, rollaway cot, top spring and/or pop up unit ("Product"), will at the time of purchase be free from defects in material and workmanship caused by LPCPG, subject to the terms and conditions set forth herein. This warranty shall apply for a period of one (1) year from date of purchase of the Product by the Purchaser from an authorized retailer.

This warranty extends only to the Purchaser and may not be assigned or transferred. The Purchaser must be an individual who purchases the Product directly from an authorized retailer for the Purchaser's own single family residential use. If a buyer is not the Purchaser of the Product, he/she takes the Product "as is" and "with all faults." Proof of purchase will be required to demonstrate that buyer is the Purchaser and eligible to make a valid claim under this warranty.

In the event of a breach of this warranty, upon timely notice during the warranty period, LPCPG's sole obligation shall be to, at LPCPG's option, either repair or replace the Product or allow credit in the amount of the purchase price for the Product. Repair, replacement, or a credit allowance shall be the sole and exclusive remedy under this warranty. To take advantage of this warranty, return the defective Product to the store where purchased. If the seller has moved or gone out of business, contact LPCPG directly for claim submission at either the website or the telephone number provided in the last paragraph of this warranty. Any transportation, shipping and handling costs, and the risk of loss during transit, shall be borne by the Purchaser. Repairs to or exchange of a Product under the terms of this warranty will apply to the original warranty period and will not serve to extend such warranty period. LPCPG will not be responsible for repair, replacement, or credit where damage to the Product has been caused by (i) abuse, negligence, improper installation, or misuse of the Product; (ii) acts or omissions of any person or entity other than LPCPG; (iii) institutional or commercial use; or (iv) acts of God or other natural forces.

# 1005 ASSEMBLY INSTRUCTIONS

Figure 1



**STEP 1** Install **THREADED GLIDES** in **LEGS** as shown in Figure 1. **PLASTIC INSERTS** should be tight against bottom of **LEG**.

**Step 2:** Attach **SIDE RAILS** to headboard and footboard as shown in Figure 2. If installing hook-on rails, make sure that hook-on brackets grip the post pins. If installing bolt-on rails, make sure that all nuts and bolts are securely tightened.

**Step 3:** Swing **CROSS ARMS** out 90 degrees. Slide **CLAMPS** onto **CROSS ARMS** as shown in Figure 2.

**Step 4:** Overlap **CROSS ARMS**. Slide **CLAMP** onto overlapped **CROSS ARMS**. Position **CLAMP** one inch from edge of lower **CROSS ARM** as shown in Figure 3.

**Step 5:** Attach **CROSS SUPPORT** to **SIDE RAILS** as shown in Figure 4. Tighten all nuts, bolts, and L-screws.

**Step 6:** Adjust height of **GLIDES** so that they touch the floor. Lock **GLIDES** in place by turning **WING NUTS** tight against **PLASTIC INSERTS**.  
*Note: There must be at least one inch of the glide stem in the plastic insert.*

**WARNING for hook-on rails:** After adjusting glide height, make sure hooks are securely gripping post pins.

Figure 2

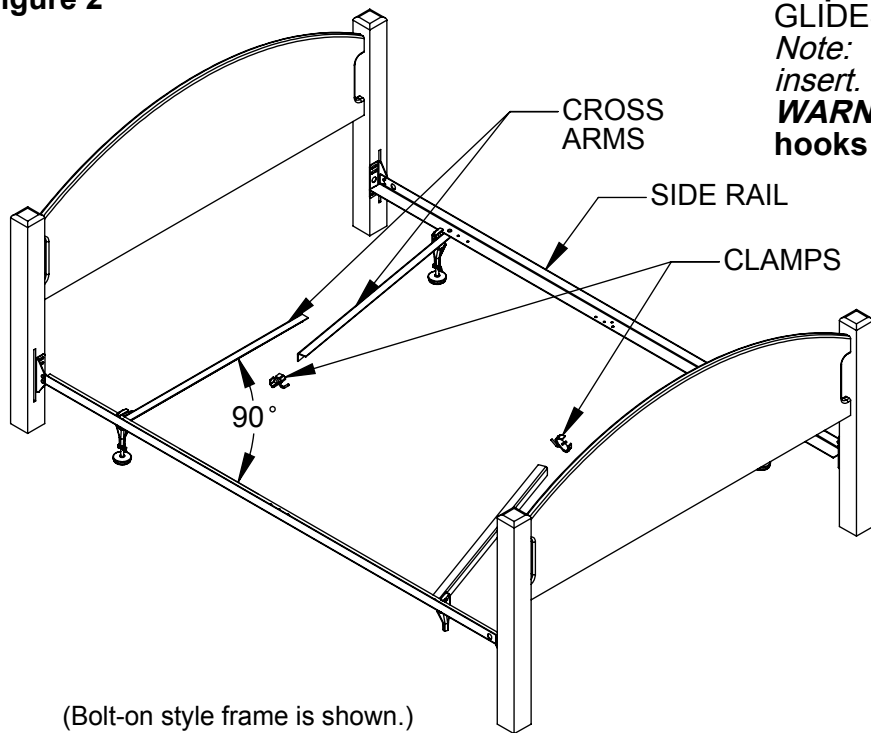


Figure 3

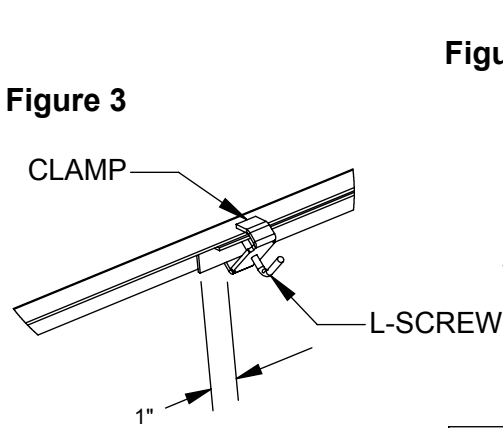
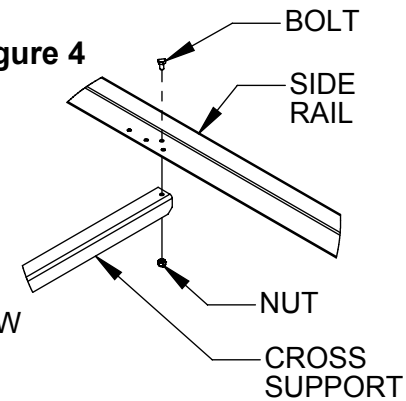


Figure 4



Leggett & Platt® Consumer Products Group ("LPCPG") warrants to the original retail purchaser ("Purchaser") that the LPCPG bed frame, center support system, bed rails, rollaway cot, top spring and/or pop up unit ("Product"), will at the time of purchase be free from defects in material and workmanship caused by LPCPG, subject to the terms and conditions set forth herein. This warranty shall apply for a period of one (1) year from date of purchase of the Product by the Purchaser from an authorized retailer.

This warranty extends only to the Purchaser and may not be assigned or transferred. The Purchaser must be an individual who purchases the Product directly from an authorized retailer for the Purchaser's own single family residential use. If a buyer is not the Purchaser of the Product, he/she takes the Product "as is" and "with all faults." Proof of purchase will be required to demonstrate that buyer is the Purchaser and eligible to make a valid claim under this warranty.

In the event of a breach of this warranty, upon timely notice during the warranty period, LPCPG's sole obligation shall be to, at LPCPG's option, either repair or replace the Product or allow credit in the amount of the purchase price for the Product. Repair, replacement, or a credit allowance shall be the sole and exclusive remedy under this warranty. To take advantage of this warranty, return the defective Product to the store where purchased. If the seller has moved or gone out of business, contact LPCPG directly for claim submission at either the website or the telephone number provided in the last paragraph of this warranty. Any transportation, shipping and handling costs, and the risk of loss during transit, shall be borne by the Purchaser. Repairs to or exchange of a Product under the terms of this warranty will apply to the original warranty period and will not serve to extend such warranty period. LPCPG will not be responsible for repair, replacement, or credit where damage to the Product has been caused by (i) abuse, negligence, improper installation, or misuse of the Product; (ii) acts or omissions of any person or entity other than LPCPG; (iii) institutional or commercial use; or (iv) acts of God or other natural forces.

TO THE EXTENT PERMITTED BY APPLICABLE LAW, ANY OTHER WARRANTIES, EXPRESS OR IMPLIED, INCLUDING ANY IMPLIED WARRANTY OF MERCHANTABILITY OR FITNESS FOR A PARTICULAR PURPOSE, ARE HEREBY DISCLAIMED; PROVIDED, THAT TO THE EXTENT APPLICABLE LAW DOES NOT ALLOW SUCH DISCLAIMER OF ANY PARTICULAR IMPLIED WARRANTY, SUCH WARRANTY SHALL BE LIMITED IN DURATION AND OTHERWISE TO THE EXPRESS WARRANTY SET FORTH HEREIN AND IS SUBJECT TO THE SAME LIMITATIONS SET FORTH HEREIN. IN NO EVENT SHALL LPCPG BE LIABLE FOR (A) SPECIAL, INCIDENTAL OR CONSEQUENTIAL DAMAGES, OR (B) DAMAGES IN EXCESS OF THE PURCHASE PRICE OF THE PRODUCT, WHETHER ARISING IN CONTRACT OR TORT (INCLUDING NEGLIGENCE). No modification of this warranty shall be effective unless it is in writing and signed by an authorized officer of LPCPG. This warranty is exclusive and in lieu of all other warranties, oral or written, and supersedes all previous warranties, if any.

Some states and provinces do not allow limitations on how long an implied warranty lasts, so the above limitations may not apply to every Purchaser. Some states and provinces do not allow the exclusion or limitation of special, incidental or consequential damages, so the above limitation or exclusion may not apply to every Purchaser. This warranty gives the Purchaser specific legal rights and the Purchaser may have other legal rights which vary by state or by province. This warranty does not apply to sales outside of the United States and Canada.

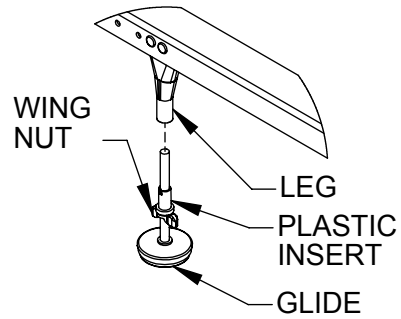
For Residents of Canada: This warranty is subject to the applicable provisions of Canadian consumer protection laws that cannot be derogated from by private agreement. You confirm your request that this warranty and all documents related directly or indirectly thereto be drafted in the English language. Vous reconnaissez avoir requis que la présente convention ainsi que tous les documents qui s'y rattachent directement ou indirectement soient rédigés en langue anglaise.

For warranty inquiries and claim submission, please visit [LPCPG.com](http://LPCPG.com) and click on "Contact Us," or call 1-800-825-5233.

DATE 1-21-16	DWG. NO. <b>99300435</b>
DO NOT SCALE DRAWING   SHEET 1 OF 1	

# 0061/10061 ASSEMBLY INSTRUCTIONS

Figure 1



**Step 1:** Install THREADED GLIDES in LEGS as shown in Figure 1. PLASTIC INSERTS should be tight against bottom of LEG.

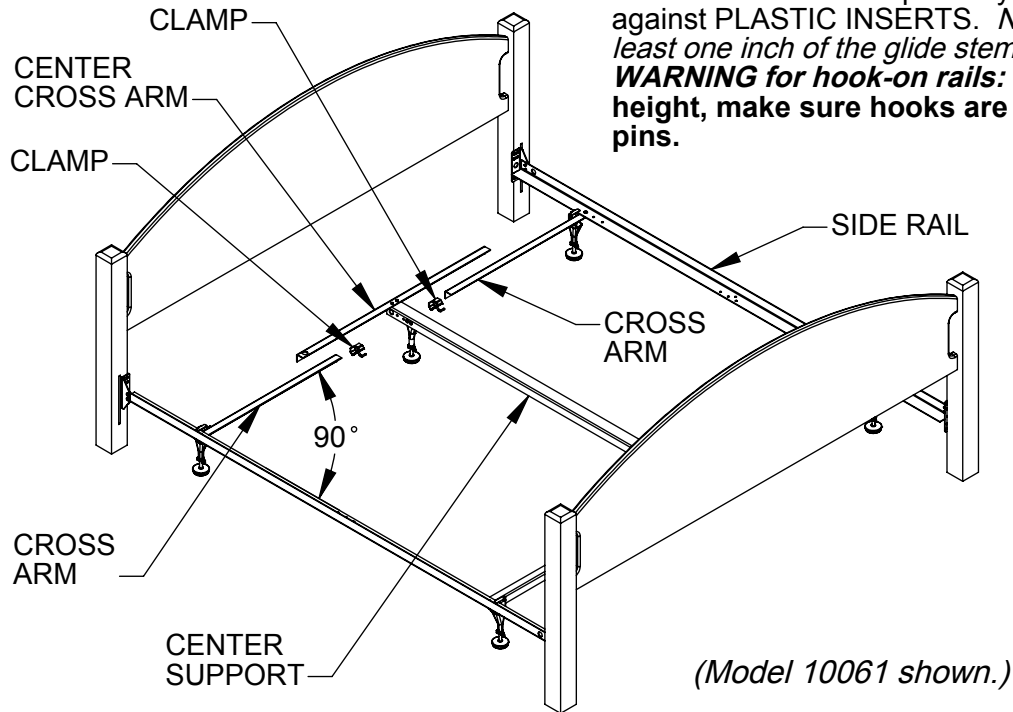
**Step 2:** Turn CENTER SUPPORT over with legs facing up. Attach CENTER CROSS ARM by inserting RIVET "A" into NOTCH "A" then pivot so RIVET "B" locks into NOTCH "B" as shown in Figure 2. Repeat with both CENTER CROSS ARMS.

**Step 3:** Attach SIDE RAILS to headboard and footboard as shown in Figure 3. If installing hook-on rails, make sure that hook-on brackets grip the post pins. If installing bolt-on rails, make sure that all nuts and bolts are securely tightened.

**Step 4:** Swing CROSS ARMS out 90 degrees and slide CLAMPS onto CROSS ARMS as shown in Figure 3. Place assembled CENTER SUPPORT in the center of the bed.

**Step 5:** Overlap CROSS ARMS. Slide CLAMPS onto overlapped CROSS ARMS and position one inch from edge of LOWER CROSS ARMS as shown in Figure 4. Tighten all L-SCREWS.

Figure 3



**Step 6:** Adjust height of GLIDES so that they touch the floor. Lock GLIDES in place by turning WING NUTS tight against PLASTIC INSERTS. *Note: There must be at least one inch of the glide stem in the plastic insert.*  
**WARNING for hook-on rails:** After adjusting glide height, make sure hooks are securely gripping post pins.

Figure 2

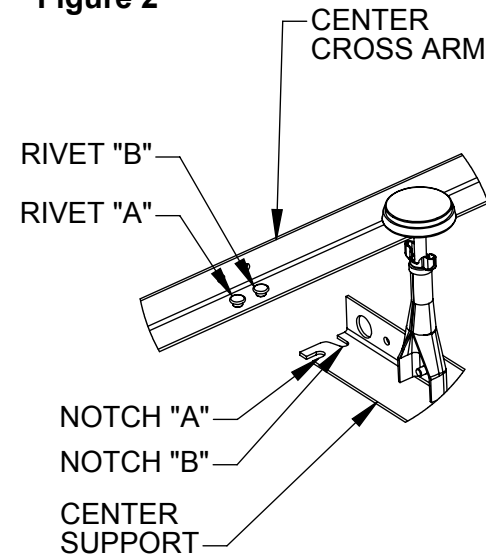
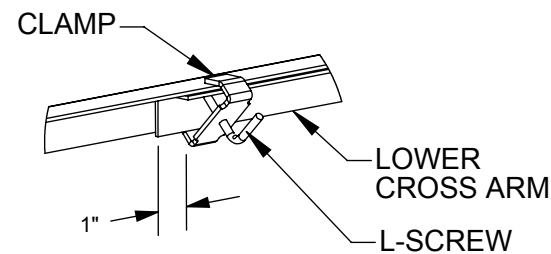


Figure 4



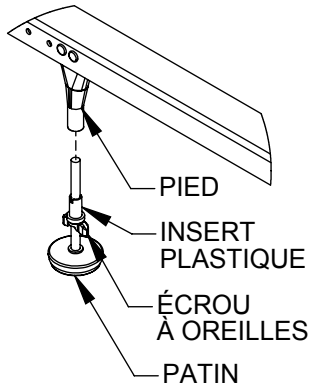
TO THE EXTENT PERMITTED BY APPLICABLE LAW, ANY OTHER WARRANTIES, EXPRESS OR IMPLIED, INCLUDING ANY IMPLIED WARRANTY OF MERCHANTABILITY OR FITNESS FOR A PARTICULAR PURPOSE, ARE HEREBY DISCLAIMED; PROVIDED, THAT TO THE EXTENT APPLICABLE LAW DOES NOT ALLOW SUCH DISCLAIMER OF ANY PARTICULAR IMPLIED WARRANTY, SUCH WARRANTY SHALL BE LIMITED IN DURATION AND OTHERWISE TO THE EXPRESS WARRANTY SET FORTH HEREIN AND IS SUBJECT TO THE SAME LIMITATIONS SET FORTH HEREIN. IN NO EVENT SHALL LPCPG BE LIABLE FOR (A) SPECIAL, INCIDENTAL OR CONSEQUENTIAL DAMAGES, OR (B) DAMAGES IN EXCESS OF THE PURCHASE PRICE OF THE PRODUCT, WHETHER ARISING IN CONTRACT OR TORT (INCLUDING NEGLIGENCE). No modification of this warranty shall be effective unless it is in writing and signed by an authorized officer of LPCPG. This warranty is exclusive and in lieu of all other warranties, oral or written, and supersedes all previous warranties, if any. Some states and provinces do not allow limitations on how long an implied warranty lasts, so the above limitations may not apply to every Purchaser. Some states and provinces do not allow the exclusion or limitation of special, incidental or consequential damages, so the above limitation or exclusion may not apply to every Purchaser. This warranty gives the Purchaser specific legal rights and the Purchaser may have other legal rights which vary by state or by province. This warranty does not apply to sales outside of the United States and Canada. For Residents of Canada: This warranty is subject to the applicable provisions of Canadian consumer protection laws that cannot be derogated from by private agreement. You confirm your request that this warranty and all documents related directly or indirectly thereto be drafted in the English language. Vous reconnaissez avoir requis que la présente convention ainsi que tous les documents qui s'y rattachent directement ou indirectement soient rédigés en langue anglaise. For warranty inquiries and claim submission, please visit LPCPG.com and click on "Contact Us" or call 1-800-825-5233.

Leggett & Platt® Consumer Products Group ("LPCPG") warrants to the original retail purchaser ("Purchaser") that the LPCPG bed frame, center support system, bed rails, rollaway cot, top spring and/or pop up unit ("Product"), will at the time of purchase be free from defects in material and workmanship caused by LPCPG, subject to the terms and conditions set forth herein. This warranty shall apply for a period of one (1) year from date of purchase of the Product by the Purchaser from an authorized retailer. This warranty extends only to the Purchaser and may not be assigned or transferred. The Purchaser must be an individual who purchases the Product directly from an authorized retailer for the Purchaser's own single family residential use. If a buyer is not the Purchaser of the Product, he/she takes the Product "as is" and "with all faults." Proof of purchase will be required to demonstrate that buyer is the Purchaser and eligible to make a valid claim under this warranty. In the event of a breach of this warranty, upon timely notice during the warranty period, LPCPG's sole obligation shall be to, at LPCPG's option, either repair or replace the Product or allow credit in the amount of the purchase price for the Product. Repair, replacement, or a credit allowance shall be the sole and exclusive remedy under this warranty. To take advantage of this warranty, return the defective Product to the store where purchased. If the seller has moved or gone out of business, contact LPCPG directly for claim submission at either the website or the telephone number provided in the last paragraph of this warranty. Any transportation, shipping and handling costs, and the risk of loss during transit, shall be borne by the Purchaser. Repairs to or exchange of a Product under the terms of this warranty will apply to the original warranty period and will not serve to extend such warranty period. LPCPG will not be responsible for repair, replacement, or credit where damage to the Product has been caused by (i) abuse, negligence, improper installation, or misuse of the Product; (ii) acts or omissions of any person or entity other than LPCPG; (iii) institutional or commercial use; or (iv) acts of God or other natural forces.

DATE 1-21-16	DWG. NO. <b>99300436</b>
DO NOT SCALE DRAWING   SHEET 1 OF 2	

# 0061/10061 INSTRUCTIONS D'ASSEMBLAGE

Figure 1



**Étape 1 :** Taper sur les INSERTS PLASTIQUE pour les insérer dans les PIEDS du cadre de lit. La surface plate étant orientée vers le haut, visser les ÉCROUS À OREILLES sur les PATINS DE PIED DE LIT. Visser les PATINS DE PIED DE LIT dans les INSERTS PLASTIQUE. Voir Figure 1.

**Étape 2 :** Retourner le SUPPORT CENTRAL de manière que les pieds soient orientés vers le haut. Fixer la TRAVERSE CENTRALE en insérant le RIVET « A » dans l'ENCOCHE « A », puis pivoter de manière que le RIVET « B » se verrouille dans l'ENCOCHE « B », comme illustré par la Figure 2. Procéder de même pour les deux TRAVERSES CENTRALES.

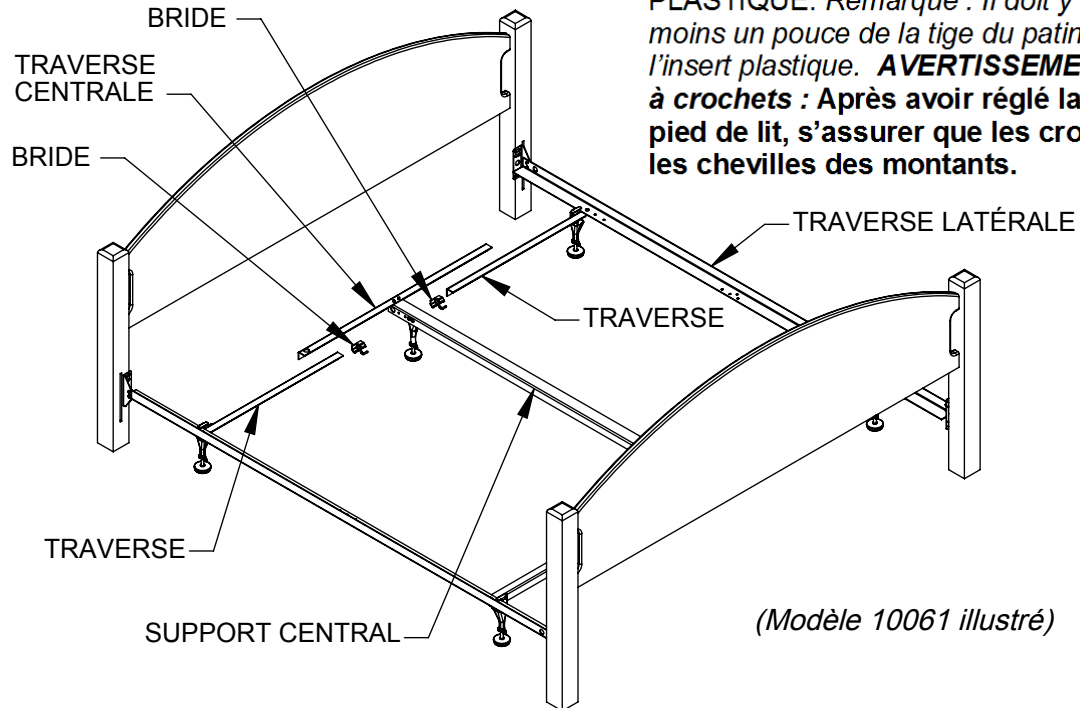
**Étape 3 :** Fixer les TRAVERSES LATÉRALES à la tête de lit et au pied de lit comme illustré à la Figure 3. En cas d'installation des traverses à crochet, assurez-vous que les supports à crochet agrippent bien les chevilles des montants. En cas d'installation des traverses à boulonner, assurez-vous de bien serrer tous les écrous et les vis.

**Étape 4 :** Faire pivoter les TRAVERSES à 90 degrés et glisser les BRIDES sur les TRAVERSES comme illustré sur la Figure 3. Placer le SUPPORT CENTRAL assemblé au centre du lit.

**Étape 5 :** Glisser les BRIDES sur les TRAVERSES qui se chevauchent. Positionner les BRIDES à un pouce du bord des TRAVERSES INFÉRIEURES, comme illustré par la Figure 4. Serrer toutes les VIS EN L.

**Étape 6 :** Régler la hauteur des PATINS DE PIED DE LIT afin qu'ils touchent le sol. Verrouiller les PATINS DE PIED DE LIT en place en tournant les ÉCROUS À OREILLES pour bien les serrer contre les INSERTS PLASTIQUE. *Remarque : Il doit y avoir une longueur d'au moins un pouce de la tige du patin de pied de lit dans l'insert plastique.* **AVERTISSEMENT pour les traverses à crochets :** Après avoir réglé la hauteur du patin de pied de lit, s'assurer que les crochets saisissent bien les chevilles des montants.

Figure 3



(Modèle 10061 illustré)

Figure 2

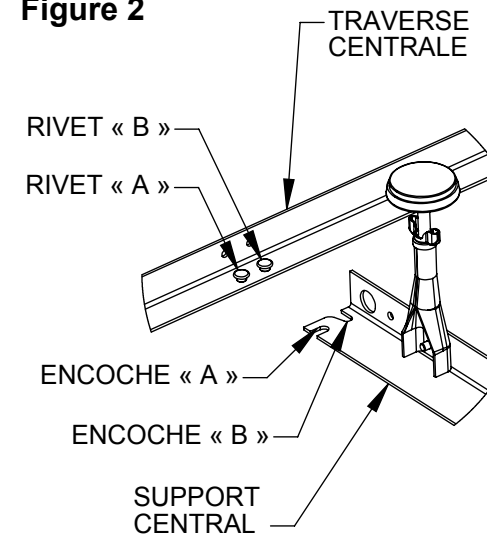
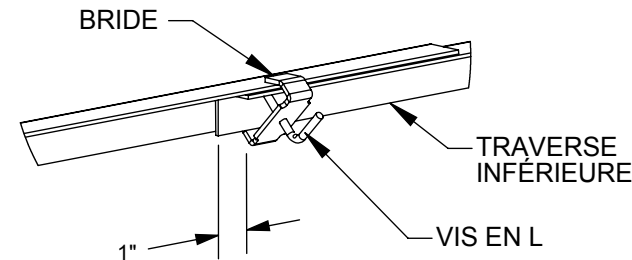


Figure 4



Le Groupe d'articles pour consommateur de Leggett & Platt® (« LPCPG ») garantit à l'acheteur au détail original (« Acheteur ») que le cadre de lit de LPCPG, système de support de centre, les longerons de lit, le lit d'appoint, ressort supérieur et unité à soulèvement (« Produit ») seront, au moment de l'achat, exempts de tous défauts de matériel et de fabrication causés par LPCPG, sous réserve des conditions fixées aux présentes. La présente garantie doit être valable pendant un (1) an à compter de la date d'achat du Produit par l'Acheteur chez un détaillant autorisé.

La présente garantie est valable uniquement pour l'Acheteur et ne peut être cédée ou transférée. L'Acheteur doit être une personne qui achète le Produit directement chez un détaillant autorisé pour l'utilisation domestique de sa seule famille. Si un acheteur n'est pas l'Acheteur du Produit, il ou elle doit prendre le Produit « tel quel » et « avec tous ses défauts ». Une preuve d'achat sera exigée afin de prouver que l'acheteur est le véritable Acheteur et qu'il a le droit de faire une réclamation valide en vertu de la présente garantie.

Advenant une violation de la présente garantie, dès réception d'un avis donné en temps opportun pendant la période de validité, l'unique obligation de LPCPG doit être, à la discrétion de LPCPG, soit de réparer le Produit, le remplacer, soit encore d'accorder un crédit selon le montant du prix d'achat du Produit. La réparation, le remplacement ou l'octroi du crédit doivent être le recours exclusif selon la présente garantie. Pour profiter de cette garantie, retournez le Produit défectueux au magasin dans lequel il a été acheté. Si le vendeur a démissionné ou s'est retiré des affaires, contactez LPCPG directement pour faire une réclamation soit sur le site Web ou en appelant au numéro de téléphone inscrit au dernier paragraphe de la présente garantie. Les frais de transport, d'expédition et de manutention, et le risque de perte pendant le transit doivent être assumés par l'Acheteur. Les réparations ou l'échange d'un Produit selon les conditions de la présente garantie s'effectueront pendant la période de garantie initiale et n'entraîneront aucune prorogation de la période de garantie.


LPCPG n'assurera pas la responsabilité des réparations, des remplacements ou des crédits au cas où l'avarie subie par le Produit survient suite à (i) abus, négligence, mauvaise installation ou mauvaise utilisation du Produit; (ii) aux actes ou aux omissions d'une personne ou de toute entité autre que LPCPG; (iii) un usage institutionnel ou commercial; ou (iv) des catastrophes naturelles ou d'autres forces naturelles.

DANS LES LIMITES AUTORISÉES PAR LA LOI, TOUTES LES AUTRES GARANTIES, EXPRESSES OU IMPLIQUES, Y COMPRIS TOUTE GARANTIE TACITE DES COMPÉTENCES OU DE L'APTITUDE DU COMMERÇANT À DES FINS PARTICULIÈRES, SONT DECLINÉES. POUR AUTANT QUE LA LOI N'AUTORISE LA DENÉGATION DE RESPONSABILITÉ D'UNE GARANTIE IMPLIQUÉE PARTICULIÈRE, LADITE GARANTIE NE DOIT PAS ÊTRE LIMITÉE EN TERMES DE DURÉE ET À DÉFAUT À LA GARANTIE EXPRESSE SPÉCIFIÉE DANS LES PRÉSENTES, ELLE DOIT ÊTRE SOUMISE AUX MÊMES CONDITIONS FIXÉES DANS LES PRÉSENTES. EN AUCUN CAS LPCPG NE DOIT ÊTRE TENUE RESPONSABLE DE (A) DES DOMMAGES SPÉCIAUX, ACCIDENTELS OU CONSÉCUTIFS, OU (B) DES DOMMAGES DE PASSANT LE PRIX D'ACHAT DU PRODUIT, QUE CES DERNIERS SOIENT INHÉRENTS AU CONTRAT OU À UN QUASI-DÉLIT (Y COMPRIS LA NÉGLIGENCE). Aucune modification de la présente garantie ne doit être jugée valide, à moins que ladite modification ne soit faite par écrit et signée par un agent mandaté par LPCPG. La présente garantie est exclusive et s'applique en remplacement de toutes les autres garanties orales ou écrites. Elle remplace toutes les garanties précédentes, le cas échéant.

Certains États et provinces n'autorisent aucune restriction par rapport à la durée d'une garantie implicite. Par conséquent, les restrictions susmentionnées peuvent ne pas s'appliquer à chaque Acheteur. Certains États et provinces n'autorisent pas l'exclusion ou la limitation des dommages spéciaux, accidentels ou consécutifs. Par conséquent, la restriction ou l'exclusion susmentionnée peuvent ne pas s'appliquer à chaque Acheteur. La présente garantie confère à l'Acheteur des droits légaux spéciaux et l'Acheteur peut avoir d'autres droits légaux qui divergent selon l'État ou la province. La présente garantie ne s'applique pas aux ventes effectuées à l'extérieur des États-Unis et du Canada.

En ce qui concerne les résidents du Canada, la présente garantie fait l'objet de dispositions applicables découlant des lois sur la protection des consommateurs dont les parties ne peuvent pas déroger de gré à gré. Vous reconnaissez avoir requis que la présente convention ainsi que tous les documents qui s'y rattachent directement ou indirectement soient rédigés en langue anglaise.

Pour tous renseignements sur la garantie et toutes réclamations, veuillez consulter notre site LPCPG.com et cliquer sur « Contactez-nous » ou appeler au 1-800-825-5233.

	
DATE 1-21-16	DWG. NO. <b>99300436</b>
DO NOT SCALE DRAWING   SHEET 2 OF 2	